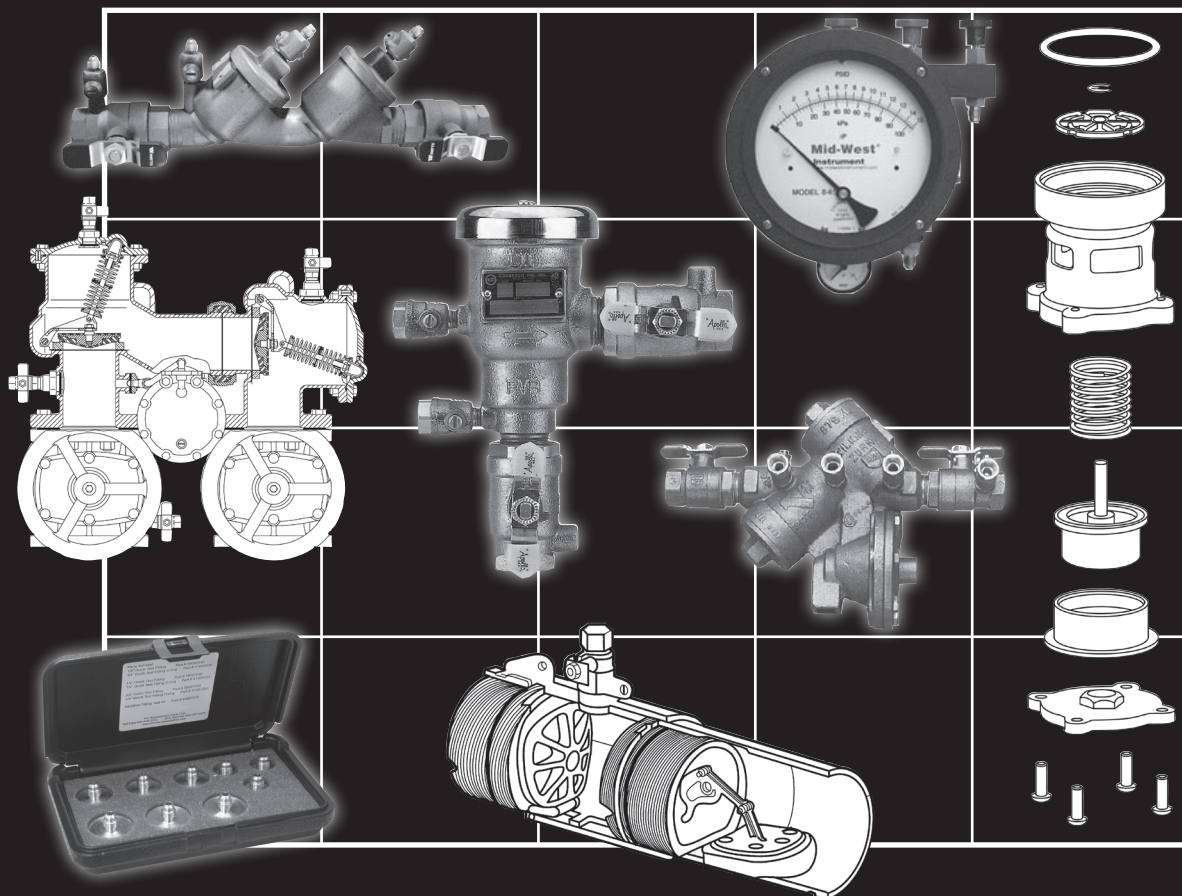


VOLUME 4, NUMBER 1

# BACKFLOW

## PREVENTION CATALOG



TOTAL MAINTENANCE SOLUTIONS

Toll Free Telephone: 877/867-8675 • Toll Free Fax: 877/867-8674 • [www.tms4parts.com](http://www.tms4parts.com)

# TOTAL MAINTENANCE SOLUTIONS TABLE OF CONTENTS



<b>AMES</b> _____	<b>1-16</b>	<b>NEPTUNE</b>	Model 550/50A, 575/575A, 720/720A – See Wilkins models with same number.
Includes models C-200, C-300, M-200, M-300, C-200(A), C-300(A), M-200(A), M-300(A), C-400, C-500, M-400, M-500, 2000SS, 3000SS, 2000SE, 3000SE, 2001SS, 3001SS, 4000SS, 5000SS, 2000DCA, 3000DCDA, 2000DC, 3000DCDC, 4000RP EPOXY, 5000 RPDA EPOXY		<b>ORION</b>	Please call — No parts information shown — parts are available.
<b>APOLLO/CONBRACO</b> _____	<b>17-22</b>	<b>RAINBIRD</b>	Includes Model DVB (See Watts #800), Model DC (See Watts #700), Model DCQT (See Watts 007, 007MI), Model DCA (See Watts #709), Model RP (See Watts #900), Model RPQT (See Watts #009, 009MI), Model RPA (See Watts 909, 909MI). Parts information shown in the Quick Lists section.
Includes Models 40-100 Double Check, 40-100 Top Entry Double Check, 40-200, 40-100DCV, 40-200RPZ, 40-500, and RPZ		<b>ROCKWELL</b>	Please call — No parts information shown — parts are available.
<b>BUCKNER</b>		<b>TORO</b>	Please call — No parts information shown — parts are available.
Please call — No parts information shown — parts are available.		<b>WATTS</b> _____	<b>41-60</b>
<b>CLA-VAL</b> _____	<b>23-25</b>	Includes Series 007, 009, 709, 775, 909, 995, 900, 919, 9D, 9BD, 7, N9, NLF9, 188A, 288A, 289, 388ASC, N388, 800, 800M/CM, 800M2, 800M3, 800M4 and accessories	
Includes Models 3081, 3081EX, 3084, RP-2, D-2, CDHS-20 and CDHS-24. Complete assemblies not available. Availability of parts limited to stock on hand.		<b>WILKINS</b> _____	<b>61-78</b>
<b>FEBCO</b> _____	<b>26-32</b>	Includes models 35, 420, 700, 750A, 720A, 950, 950XL, 975 XL, 350, 375, 475, 475V, 550, 575 AND ACCESSORIES	
Includes 805Y, 825Y, 805YD, 825YD, 850/860, 850/870, and 860/880		<b>COMPLETE ASSEMBLIES</b> _____	<b>79-82</b>
<b>FLOMATIC</b> _____	<b>33-36</b>	<b>TEST KITS AND ENCLOSURES</b> _____	<b>83-89</b>
Includes RPZ, RPZII, DCV, DCVE and PVB B9500 & B9501		<b>PRESSURE VACUUM BREAKERS</b> _____	<b>90-98</b>
<b>GRINNELL</b>		<b>QUICK LISTS</b> _____	<b>99-110</b>
Please call — No parts information shown — parts are available.		<b>INDEX</b> _____	<b>111-112</b>
<b>HERSEY</b> _____	<b>37-40</b>		
Includes FRPI and II, 6CM Main Valve and Check Valve Assembly. Availability of some parts limited to stock on hand.			
<b>LAWLER</b>			
Please call — No parts information shown — parts are available.			
<b>MUELLER</b>			
Please call — No parts information shown — parts are available.			

## TO OUR CUSTOMERS

We hope you will find this Backflow Prevention Catalog to be an aid in maintaining your facility. If you have any suggestions, or if we have omitted an item you believe should be included, please contact us and we will consider it for future versions of this catalog.



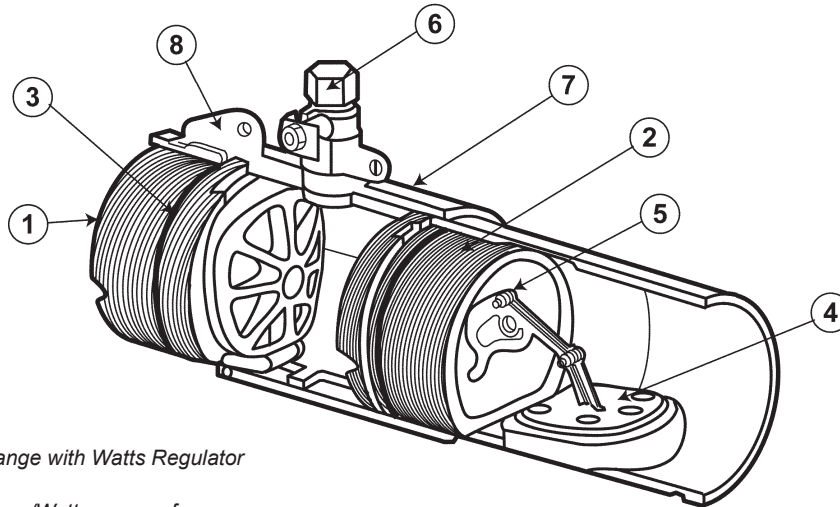
TOTAL MAINTENANCE SOLUTIONS

**Lead-Free Kits  
are now available!  
Please specify part  
number with "LF"  
suffix**

TOTAL MAINTENANCE SOLUTIONS

**AMES**  
FIRE AND WATERWORKS

**SERIES C-200 DOUBLE CHECK VALVE ASSEMBLY  
SERIES C-300 DOUBLE CHECK DETECTOR ASSEMBLY  
2-1/2" – 10"**



C-200 and C-300 parts interchange with Watts Regulator Model 757 and 757DCDA. See page 16 for a complete Ames/Watts cross reference.

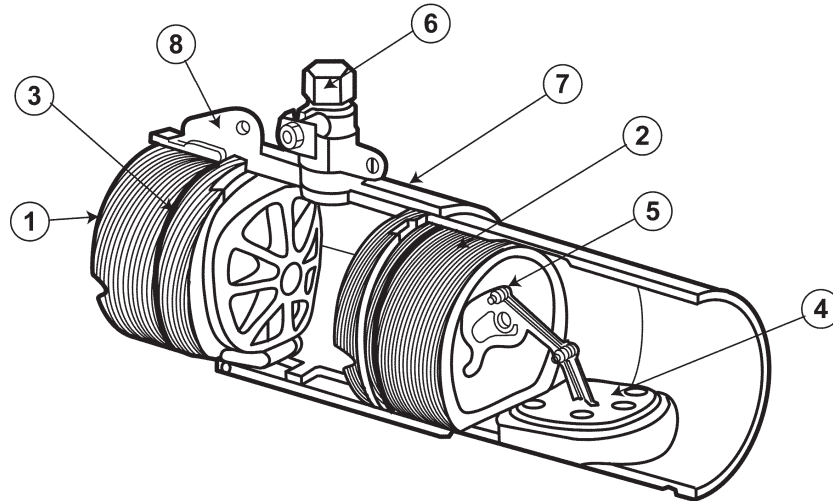
SERIES C-200 DOUBLE CHECK VALVE AND SERIES C-300 DOUBLE CHECK DETECTOR ASSEMBLY							
Item	Description	2-1/2"	3"	4"	6"	8"	10"
1.	First Check Module (Red Silicone)	40588109	40588109	40588109	7018114	7018117	7018399
2.	Second Check Module (Red Silicone)	40588107	40588107	40588107	7018116	7018119	7018400
	First Check Kit (available from <b>Watts Regulator</b> – includes 1st check module, check module o-ring and disk elastomer)	<b>7018128</b>	<b>7018128</b>	<b>7018128</b>	<b>7018131</b>	<b>7018134</b>	<b>0899200</b>
	Second Check Kit (available from <b>Watts Regulator</b> – includes 2nd check module, check module o-ring and disk elastomer)	<b>7018130</b>	<b>7018130</b>	<b>7018130</b>	<b>7018133</b>	<b>0899206</b>	<b>0899201</b>
	1st or 2nd Check Rubber Parts Kit (available from <b>Watts Regulator</b> – includes check module o-ring, disk elastomer and E-clip)	<b>0899202</b>	<b>0899202</b>	<b>0899202</b>	<b>0899203</b>	<b>0899204</b>	<b>0899205</b>
	Check Sleeve Cover Kits (available from <b>Watts Regulator</b> – includes closure sleeve, sleeve o-ring and gasket)	<b>0899211</b>	<b>0899211</b>	<b>0899211</b>	<b>0899212</b>	<b>0899213</b>	<b>0899214</b>
3.	Check Module O-ring	7017861	7017861	7017861	7017910	7013301	7018352
4.	Elastomer Shut Off Disk	7017855	7017855	7017855	7017903	7017928	7018348
5.	Grooved Clevis Pin Kit (Contains "E" Clip & Clevis Pin – 5 per pack)	7018126	7018126	7018126	7018127	7018217	7018412
6.	Closure Sleeve Test-Cock with O-ring	7018152	7018152	7018152	7018153	7018153	7018153
7.	Closure Sleeve	7017880	7017880	7017880	7017882	7017884	7017886
8.	Sleeve O-ring or Gasket (2 required)	7017896	7017896	7017896	7017921	7017944	7018339
*	Check Repair Kit (Contains items 3, 4, & "E" Clip) (Red Silicone)	40588123	40588123	40588123	7018124	7018125	7018414
*	Test Cock (.50 FPT x FPT w/ Nipple)	7018394	7018394	7018394	N/A	N/A	N/A
*	Test Cock (.75 FPT x FPT w/ Nipple)	N/A	N/A	N/A	7018395	7018395	7018395
*	"E" Clip (5 per pack)	7017870	7017870	7017870	7017821	7017821	7017974
*	Groove Coupler (Shutoff)	7017994	7017995	7018147	7018148	7018149	7018070
*	Groove Coupler Gasket	7018882	7018883	7018884	7012148	7013308	N/A
*	Sleeve Coupler Assembly	N/A	N/A	N/A	N/A	7018122	7018413
*	O-ring, #3 Test Cock	7017897	7017897	7017897	7017897	7017897	7017897
*	Stainless Steel Check Retainer	7018408	7018408	7018408	7018409	7018410	7018411

\* – Item not shown

*Lead-Free Kits  
are now available!  
Please specify part  
number with "LF"  
suffix*



**SERIES M-200 DOUBLE CHECK VALVE ASSEMBLY**  
**SERIES M-300 DOUBLE CHECK DETECTOR ASSEMBLY**  
 2-1/2" – 10"



SERIES M-200 DOUBLE CHECK VALVE AND SERIES M-300 DOUBLE CHECK DETECTOR ASSEMBLY							
Item #	Description	2-1/2"	3"	4"	6"	8"	10"
1.	First Check Module	40588076	40588076	7018114	7018117	7018399	7018399
2.	Second Check Module	40588077	40588077	7018116	7018119	7018400	7018400
3.	Check Module O-ring	7017861	7017861	7017910	7013301	7018352	7018352
4.	Elastomer Shut Off Disk	7017855	7017855	7017903	7017928	7018348	7018348
5.	Grooved Clevis Pin Kit (Contains "E" Clip & Clevis Pin – 5 per pack)	7018126	7018126	7018127	7018127	7018412	7018412
6.	Closure Sleeve Test-Cock with O-ring	701852	7018152	7018153	7018153	7018153	7018153
7.	Closure Sleeve	7017880	7017880	7017882	7017884	7017886	7017886
8.	Sleeve O-ring or Gasket (2 required)	7017896	7017896	7017921	7017944	7018339	7018339
9.	Relief Valve Assembly (Hose included)	7018107	7018107	7018107	7018107	7018107	7018107
*	Check Repair Kit (Contains items 3, 4, & "E" Clip) (Red Silicone)	40588123	40588123	7018124	7018125	7018414	7018414
*	Test Cock (.50 FPT x FPT w/ Nipple)	7018394	7018394	7018394	N/A	N/A	N/A
*	Test Cock (.75 FPT x FPT w/ Nipple)	N/A	N/A	N/A	7018395	7018395	7018395
*	"E" Clip	7017870	7017870	7017821	7017821	7017974	7017974
*	Groove Coupler (Shutoff)	7017994	7017995	7017996	7017997	7018070	7018070
*	Groove Coupler Gasket	7018882	7018883	7018885	7018886	7018887	N/A
*	Sleeve Coupler Assembly	N/A	N/A	N/A	7018122	7018413	7018413
*	Air Gap Drain	7018367	7018367	7018367	7018367	7018367	7018367
*	Splash Guard (only)	7018894	7018894	7018894	7018894	7018894	7018894
*	O-ring, #3 Test Cock	7017897	7017897	7017897	7017897	7017897	7017897
*	Stainless Steel Check Retainer	7018408	7018408	7018409	7018410	7018411	7018411

\* – Item not shown



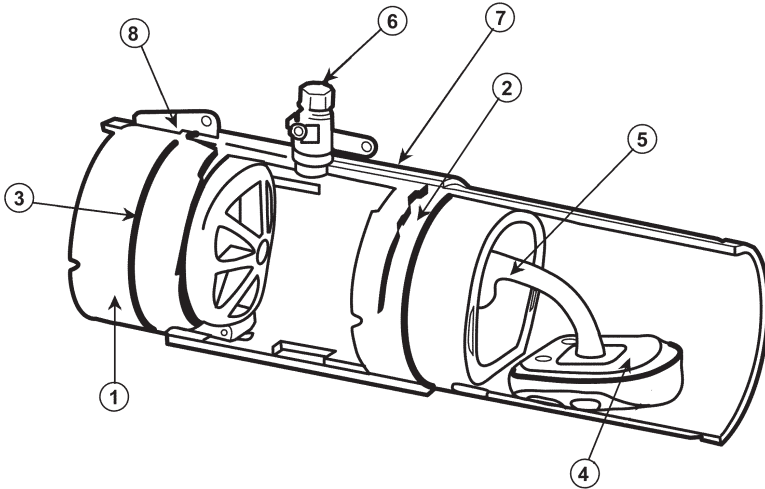


TOTAL MAINTENANCE SOLUTIONS

**Lead-Free Kits  
are now available!  
Please specify part  
number with "LF"  
suffix**

**TOTAL MAINTENANCE SOLUTIONS**  
**AMES**  
**FIRE AND WATERWORKS**

**SERIES C-200(A) DOUBLE CHECK VALVE ASSEMBLY**  
**SERIES C-300(A) DOUBLE CHECK VALVE ASSEMBLY**  
**2-1/2" – 6"**



*C-200a and C-300a parts interchange with  
Watts Regulator Model 757a and 757aDCDA.  
See page 16 for a complete Ames/Watts cross reference*

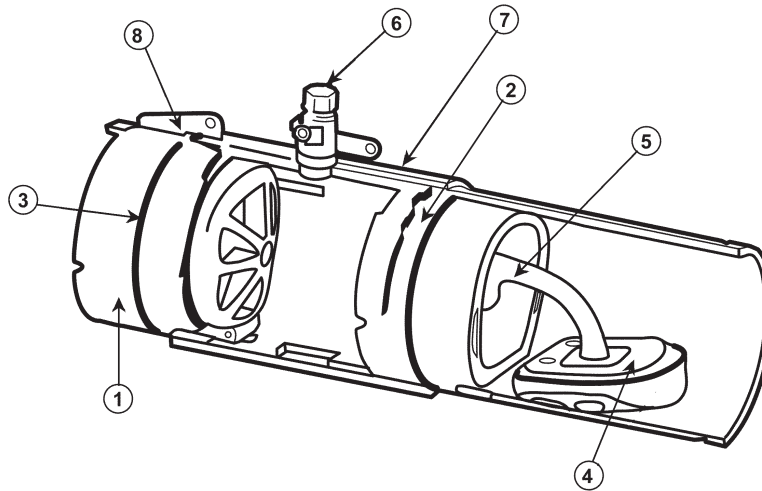
<b>SERIES C-200(A) DOUBLE CHECK VALVE AND SERIES C-300(A) DOUBLE CHECK DETECTOR VALVE ASSEMBLY</b>					
<b>Item #</b>	<b>Description</b>	<b>2-1/2"</b>	<b>3"</b>	<b>4"</b>	<b>6"</b>
1.	First Check Module (a) (EPDM)	40588387	40588387	40588387	40588389
2.	Second Check Module (a) (EPDM)	40588388	40588388	40588388	40588390
	First Check Kit (available from Watts Regulator – includes first check module, check module o-ring and disk elastomer)	0899250	0899250	0899250	0899251
	Second Check Kit (available from Watts Regulator – includes second check module, check module o-ring and disk elastomer)	0899254	0899254	0899254	0899255
	1st or 2nd Check Rubber Parts Kit (available from Watts Regulator – includes check module o-ring, disk elastomer and E-clip)	0899258	0899258	0899258	0899259
	1st or 2nd Check Cover Kit (available from Watts Regulator – includes closure sleeve, 2 pieces of sleeve o-ring)	0899266	0899266	0899266	0899267
3.	Check Module O-ring	7017861	7017861	7017861	7017910
4.	Elastomer Shut Off Disk	7018329	7018329	7018329	7018330
5.	Grooved Clevis Pin Kit (Contains "E" Clip & Clevis Pin – 5 per pack)	7018126	7018126	7018126	7018127
6.	Closure Sleeve Test Cock w/ O-ring	7018152	7018152	7018152	7018153
7.	Closure Sleeve	7017880	7017880	7017880	7017882
8.	Sleeve O-ring	7017896	7017896	7017896	7017921
*	Check Repair Kit (Contains 3, 4 & "E" Clip) (EPDM)	40588391	40588391	40588391	40588392
*	Test Cock (.50 FPT x FPT w/ Nipple)	7018394	7018394	7018394	N/A
*	Test Cock (.75 FPT x FPT w/ Nipple)	N/A	N/A	N/A	7018395
*	"E" Clip	7017870	7017870	7017870	7017821
	Groove Coupler (Shutoff)	7017994	7017995	7018147	7018148
*	Groove Coupler Gasket				
*	#3 Test Cock O-ring	7017897	7017897	7017897	7017897
*	Stainless Steel Check Retainer	7018408	7018408	7018408	7018409

\* – Item not shown

**Lead-Free Kits  
are now available!**  
 Please specify part  
 number with "LF"  
 suffix



**SERIES M-200(A) DOUBLE CHECK VALVE ASSEMBLY**  
**SERIES M-300(A) DOUBLE CHECK DETECTOR ASSEMBLY**  
 2-1/2" – 4"



SERIES M-200(A) DOUBLE CHECK VALVE AND SERIES M-300(A) DOUBLE CHECK DETECTOR ASSEMBLY				
Item #	Description	2-1/2"	3"	4"
1.	First Check Module (a) (EPDM)	40588387	40588387	40588389
2.	Second Check Module (a) (EPDM)	40588388	40588388	40588390
3.	Check Module O-ring	7017861	7017861	7017910
4.	Elastomer Shut Off Disk	7018329	7018329	7018330
5.	Grooved Clevis Pin Kit (Contains "E" Clip & Clevis Pin – 5 per pack)	7018126	7018126	7018127
6.	Closure Sleeve Test Cock w/ O-ring	7018152	7018152	7018153
7.	Closure Sleeve	7017880	7017880	7017882
8.	Sleeve O-ring	7017896	7017896	7017921
*	Check Repair Kit (Contains 3, 4 & "E" Clip) (EPDM)	40588391	40588391	40588392
*	Test Cock (.50 FPT x FPT w/ Nipple)	7018394	7018394	7018394
*	"E" Clip	7017870	7017870	7017821
*	Groove Coupler (Shutoff)	7017994	7017994	7018148
*	Groove Coupler Gasket	7018882	7018883	7018885
*	#3 Test Cock O-ring	7017897	7017897	7017897
*	Stainless Steel Check Retainer	7018408	7018408	7018409

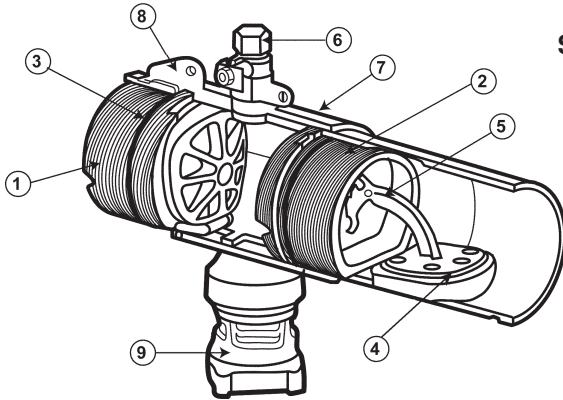
\* – Item not shown



**Lead-Free Kits  
are now available!  
Please specify part  
number with "LF"  
suffix**

**TOTAL MAINTENANCE SOLUTIONS**  
**AMES**  
**FIRE AND WATERWORKS**

**SERIES C-400 REDUCED PRESSURE ZONE ASSEMBLY**  
**SERIES C-500 REDUCED PRESSURE DETECTOR ASSEMBLY**  
**2-1/2" – 10"**



*C-400 and C-500 parts interchange with Watts Regulator Model 957 and 957RPDA. See page 16 for a complete cross reference.*

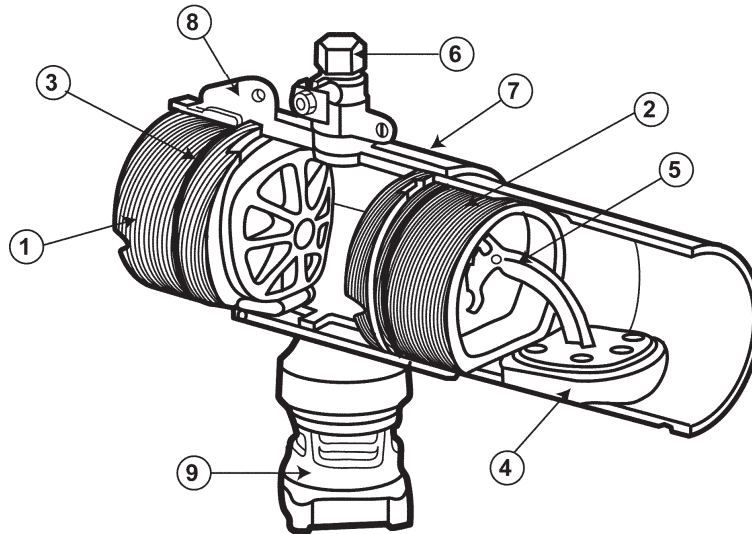
SERIES C-400 AND SERIES C-500 REDUCED PRESSURE ZONE ASSEMBLY							
Item #	Description	2-1/2"	3"	4"	6"	8"	10"
1.	First Check Module (EPDM 2-1/2" – 6") (Red Silicone 8" – 10")	40588108	40588108	40588108	7018115	7018118	7018401
2.	Second Check Module (EPDM 2-1/2" – 6") (Red Silicone 8" – 10")	40588120	40588120	40588120	7018121	7018119	7018402
	First Check Kit (available from <b>Watts Regulator</b> – includes first check module, check module o-ring and disk elastomer)	<b>7018129</b>	<b>7018129</b>	<b>7018129</b>	<b>7018132</b>	<b>7018135</b>	<b>0899215</b>
	Second Check Kit (available from <b>Watts Regulator</b> – includes second check module, check module o-ring and disk elastomer)	<b>0899216</b>	<b>0899216</b>	<b>0899216</b>	<b>0899217</b>	<b>0899218</b>	<b>0899219</b>
	First or Second Check Rubber Parts Kit (available from <b>Watts Regulator</b> – includes check module o-ring, disk elastomer and E-clip)	<b>0899220</b>	<b>0899220</b>	<b>0899220</b>	<b>0899221</b>	<b>0899222</b>	<b>0899223</b>
	Check Sleeve Cover Kit (available from <b>Watts Regulator</b> – includes closure sleeve, sleeve o-ring and gasket)	<b>0899240</b>	<b>0899240</b>	<b>0899240</b>	<b>0899241</b>	<b>0899242</b>	<b>0899243</b>
	Total Rubber Parts Kits (available from <b>Watts Regulator</b> – includes first and second check module, (2) disk elastomers, (2) E-clips, relief valve diaphragm, relief valve inlet coupler o-ring and relief valve piston assembly)	<b>0899244</b>	<b>0899244</b>	<b>0899244</b>	<b>0899245</b>	<b>0899246</b>	<b>0899247</b>
3.	Check Module O-ring	7017861	7017861	7017861	7017910	7013301	7018352
4.	Elastomer Shut Off Disk	7017855	7017855	7017855	7017903	7017928	7018348
5.	Grooved Clevis Pin Kit (Contains "E" Clip & Clevis Pin – 5 per pack)	7018126	7018126	7018126	7018127	7018127	7018412
6.	Closure Sleeve Test-Cock with O-ring	7018152	7018152	7018152	7018153	7018153	7018153
7.	Closure Sleeve	7017881	7017881	7017881	7017883	7017885	7017887
8.	Sleeve O-ring or Gasket (2 required)	7017896	7017896	7017896	7017921	7018944	7018339
9.	Relief Valve Assembly (Hose included)	7018107	7018107	7018107	7018107	7018107	7018107
*	Check Repair Kit (Contains items 3, 4, & "E" Clip) (Red Silicone 2-1/2" – 6")	40588123	40588123	40588123	7018124	7018125	7018414
*	Test Cock (.50 FPT x FPT w/ Nipple)	7018394	7018394	7018394	N/A	N/A	N/A
*	Test Cock (.75 FPT x FPT w/ Nipple)	N/A	N/A	N/A	7018395	7018395	7018395
*	"E" Clip	7017870	7017870	7017870	7017821	7017821	7017974
*	Groove Coupler (Shutoff)	7017994	7017995	7018147	7018148	7018149	7018070
*	Groove Coupler Gasket	7018882	7018883	7018884	7013248	7013308	N/A
*	Sleeve Coupler Assembly	N/A	N/A	N/A	N/A	7018122	7018413
*	Air Gap Drain	7018367	7018367	7018367	7018367	7018367	7018367
*	Splash Guard	7018368	7018368	7018368	7018368	7018368	7018368
*	O-ring, #3 Test Cock	7017897	7017897	7017897	7017897	7017897	7017897
*	Stainless Steel Check Retainer	7018408	7018408	7018408	7018409	7018410	7018411

\* – Item not shown

**Lead-Free Kits  
are now available!**  
 Please specify part  
 number with "LF"  
 suffix



**SERIES M-400 REDUCED PRESSURE ZONE ASSEMBLY**  
**SERIES M-500 REDUCED PRESSURE DETECTOR ASSEMBLY**  
 2-1/2" – 10"



SERIES M-400 REDUCED PRESSURE ZONE ASSEMBLY AND SERIES M-500 REDUCED PRESSURE DETECTOR ASSEMBLY							
Item #	Description	2-1/2"	3"	4"	6"	8"	10"
1.	First Check Module (EPDM 2-1/2" – 4")	40588108	40588108	7018115	7018118	7018401	7018401
2.	Second Check Module (EPDM 2-1/2" – 4")	40588120	40588120	7018121	7018398	7018402	7018402
3.	Check Module O-ring	7017861	7017861	7017910	7013301	7018352	7018352
4.	Elastomer Shut Off Disk	7017855	7017855	7017903	7017928	7018348	7018348
5.	Grooved Clevis Pin Kit (Contains "E" Clip & Clevis Pin – 5 per pack)	7018126	7018126	7018127	7018127	7018412	7018412
6.	Closure Sleeve Test-Cock with O-ring	7018152	7018152	7018152	7018152	7018153	7018153
7.	Closure Sleeve	7017881	7017881	7017883	7017885	7017887	7017887
8.	Sleeve O-ring or Gasket (2 required)	7017896	7017896	7017921	7017944	7018339	7018339
9.	Relief Valve Assembly (Hose included)	7018107	7018107	7018107	7018107	7018107	7018107
*	Check Repair Kit (Contains items 3, 4, & "E" Clip) (Red Silicone)	40588123	40588123	7018124	7018125	7018414	7018414
*	Test Cock (.50 FPT x FPT w/ Nipple)	7018394	7018394	7018394	N/A	N/A	N/A
*	Test Cock (.75 FPT x FPT w/ Nipple)	N/A	N/A	N/A	7018395	7018395	7018395
*	"E" Clip	7017870	7017870	7017821	7017821	7017974	7017974
*	Groove Coupler (Shutoff)	7017994	7017995	7017996	7017997	7018070	N/A
*	Groove Coupler Gasket	7018882	7018883	7018885	7018886	7018887	N/A
*	Sleeve Coupler Assembly	N/A	N/A	N/A	7018122	7018413	7018413
*	Air Gap Drain	7018367	7018367	7018367	7018367	7018367	7018367
*	Splash Guard	7018368	7018368	7018368	7018368	7018368	7018368
*	O-ring, #3 Test Cock	7017897	7017897	7017897	7017897	7017897	7017897
*	Stainless Steel Check Retainer	7018408	7018408	7018409	7018410	7018411	7018411

\* – Item not shown

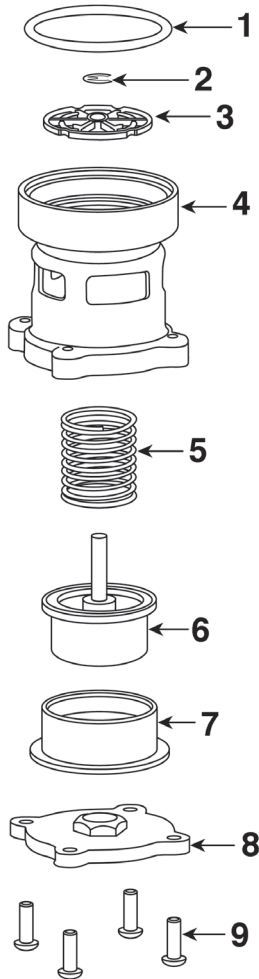


**Lead-Free Kits  
are now available!**  
 Please specify part  
 number with "LF"  
 suffix

**TOTAL MAINTENANCE SOLUTIONS**  
AMES  
**FIRE AND WATERWORKS**

**RELIEF VALVE FOR  
 C-400, C-500, M-400 & M-500  
 2-1/2" - 10"**

C-400 and C-500 parts interchange with  
 Watts Regulator Model 957 and 957RPDA  
 See page 16 for more information



C-400, C-500, M-400 & M-500 RELIEF VALVE		
Item #	Description	Part #
1.	Inlet Coupler O-ring	40587826
2.	E-Clip	N/A
3.	Spider Bushing	7017811
4.	Body	7018889
5.	Spring	7013368
6.	Piston Assembly	40588227
7.	Diaphragm	7017809
8.	Cover Plate Assembly	7017822
9.	Cover Screws	
	Relief Valve Total Kit (available from <b>Watts Regulator</b> – includes complete relief valve assembly)	0899232
	Relief Valve Rubber Parts Kit (available from <b>Watts Regulator</b> – includes diaphragm, inlet coupler o-ring and piston assembly)	0899236

C-400, C-500 RELIEF VALVE HOSES		
Item	Description	Part #
*	C400, C500 (2-1/2" – 4")	0298120
*	C400 N & Z, C500 N & Z (2-1/2" & 3")	0298121
*	C400 (6"), C400N (4"), C400Z (2-1/2" – 4"), C500 (6" & 8"), C500 N & Z (4", 6" & 8")	
	C500BFG (2-1/2" – 4"), C500BFG N & Z (2-1/2" – 6")	0298122
*	C400 (8" & 10"), C400 N & Z (6", 8" & 10"), C500 N & Z (10"), C500BFG N & Z (6" & 8")	0298123

M-400, M-500 RELIEF VALVE HOSES		
Item	Description	Part #
*	M400, M500 (2-1/2" – 3")	0298120
*	M400 N & Z (2-1/2" – 3")	0298121
*	M400 (6"), M500 (2-1/2" – 4"), M400 N & Z (2-1/2" – 4"), M500 N & Z (2-1/2" – 4"), M500 N & Z BFG (2-1/2" – 3")	0298122
*	M400 (8" & 10"), M400 N & Z (6", 8" & 10"), M400BFG N & Z (4" & 6"), M500, M500 N & Z (6", 8" & 10"), M500BFG N & Z (4" & 6")	0298123

\* – Item not shown



Lead-Free Kits  
are now available!  
Please specify part  
number with "LF"  
suffix



**SERIES 2000SS/2000SE DOUBLE CHECK VALVE ASSEMBLY**

2000SS 2-1/2" – 12", 2000SE 6" – 8"

**SERIES 3000SS/3000SE DOUBLE CHECK DETECTOR ASSEMBLY**

3000SS 2-1/2" – 12", 3000SE 6" – 8"

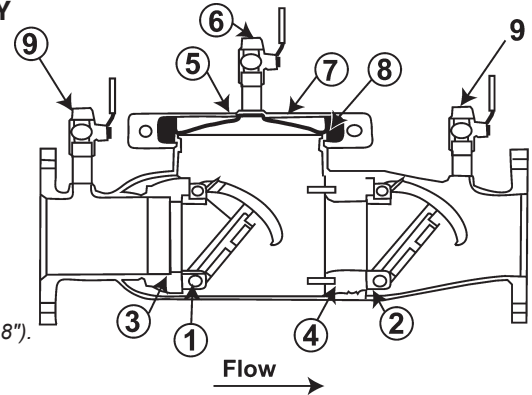
2000SS parts interchange with Watts Regulator Model 774 (2-1/2" – 10").

2000SE interchange with Watts Regulator Model 774 (2-1/2" and 6" – 8")

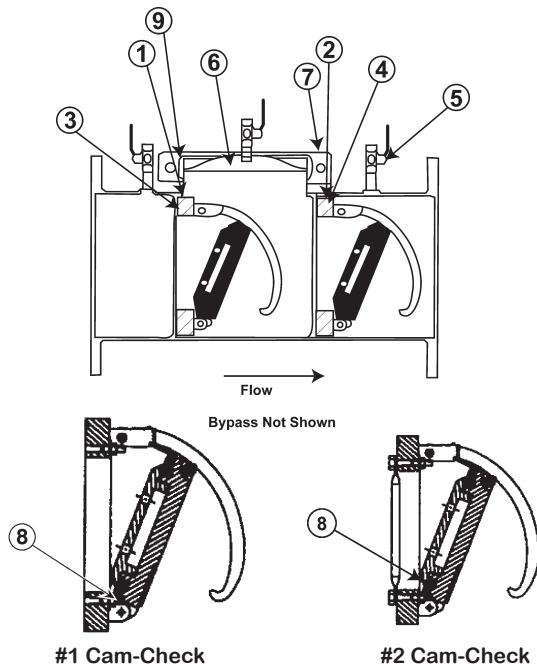
3000SS parts interchange with Watts Regulator Model 774DCDA (2-1/2" – 10").

3000SE parts interchange with Watts Regulator Model 774X DCDA (2-1/2" and 6" and 8").

See page 16 for a complete cross reference.



2000SS AND 2000SE DOUBLE CHECK VALVE ASSEMBLY 3000SS AND 3000SE DOUBLE CHECK DETECTOR ASSEMBLY							
Item #	Description	2-1/2"	3"	4"	6"	6"SE	8"SE
1.	#1 Cam-Check	40585559	40585559	40585559	40585564	40585559	40585564
2.	#2 Cam-Check	40585560	40585560	40585560	40585565	40585560	40585565
3.	#1 Cam-Check O-Ring	40585333	40585333	40585333	40583280	40585333	40583280
4.	#2 Cam-Check O-Ring	40583229	40583229	40583229	40583281	40583229	40583281
5.	Cover Plate	7013241	7013241	7013241	7013289	7013474	7013289
6.	Ball Valve	A000449	A000449	A000449	A000449	A000449	A000449
7.	Groove Coupler (Cover)	7013194	7013194	7013194	7013287	7013194	7013287
8.	Groove Coupler Gasket	7013248	7013248	7013248	7013308	7013248	7013308
9.	Ball Valve Cover	A603134	A603134	A603134	7013034	7013034	7013034



2000SS AND 3000SS 8" – 12" DOUBLE CHECK VALVE ASSEMBLY				
Item #	Description	8"	10"	12"
1.	#1 Cam-Check	40585569	40585569	40585569
2.	#2 Cam-Check	59016088	59016088	59016088
3.	#1 Cam-Check O-Ring	40581610	40581610	40581610
4.	#2 Cam-Check O-Ring	40581610	40581610	40581610
5.	Ball Valve	A000449	A000449	A000449
6.	Cover Plate	7013495	7013495	7013495
7.	Groove Coupler (Cover)	7018150	7018150	7018150
8.	Washer, Shut-off disk	7013499	7013499	7013499
9.	Groove Coupler Gasket	7014806	7014806	70104806

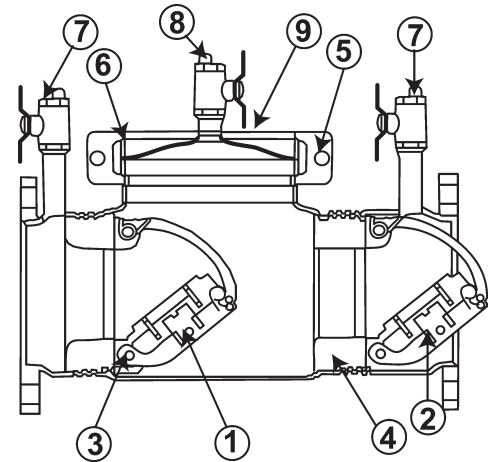


**Lead-Free Kits  
are now available!  
Please specify part  
number with "LF"  
suffix**

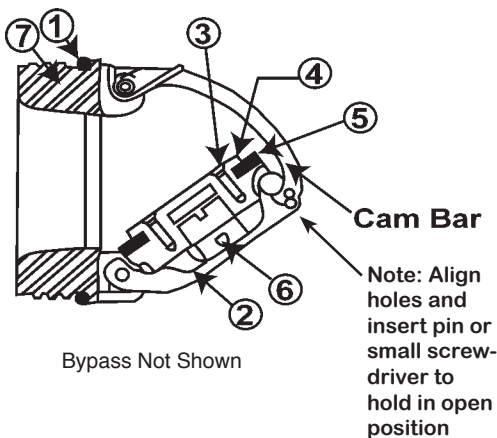
**TOTAL MAINTENANCE SOLUTIONS**  
**AMES**  
**FIRE AND WATERWORKS**

**SERIES 2001SS DOUBLE CHECK VALVE ASSEMBLY 3" – 8"**  
**SERIES 3001SS DOUBLE CHECK DETECTOR ASSEMBLY 3" – 8"**

2001SS AND 3001SS DOUBLE CHECK VALVE ASSEMBLY					
Item #	Description	3"	4"	6"	8"
1.	#1 Cam-Check	40585574	40585574	40585583	40585583
2.	#2 Cam-Check	40585575	40585575	40585584	40585584
3.	1st Cam-Check O-Ring	40583229	40583229	40583301	40583301
4.	2nd Cam-Check O-Ring	40583188	40583188	40583301	40583301
	First Check Kit (available from <b>Watts Regulator</b> – includes complete #1 check assembly and check o-ring)	<b>0888900</b>	<b>0888900</b>	<b>0888901</b>	<b>0888901</b>
	Second Check Kit (available from <b>Watts Regulator</b> – includes complete #2 check assembly and check o-ring)	<b>0888902</b>	<b>0888902</b>	<b>0888903</b>	<b>0888903</b>
	Cover Kit (available from <b>Watts Regulator</b> – includes cover, grooved coupler & gasket)	<b>0888904</b>	<b>0888904</b>	<b>0888905</b>	<b>0888905</b>
5.	Groove Coupler (Cover)	7013194	7013194	7013287	7013287
6.	Groove Coupler Gasket	7013248	7013248	7013308	7013308
7.	Ball Valve	7014668	7014668	A000449	A000449
8.	Ball Valve Cover	A603134	A603134	7013034	7013034
9.	Cover Plate	7013241	7013241	7013289	7013289



*2001SS and 3001SS parts interchange with Watts Regulator Model 775 and 775 DCDA. Additional repair kits from Ames are on page 18. See page 16 for a complete cross reference.*



3"- 8" 2001 SS & 3001SS CAM CHECK #1					
Item #	Description	3"	4"	6"	8"
1.	1st Cam-Check O-Ring	40583229	40583229	40583301	40583301
2.	Clapper Assembly	7014192	7014192	7014192	7014192
3.	Retaining Plate Screw	7013877	7013877	7013880	7013880
4.	Clapper Retainer Plate	7013835	7013835	7013836	7013836
5.	Clapper Disk	40583837	40583837	40583838	40583838
6.	Pivot Arm Pin (2-c-clips not included)	7013853	7013853	7013841	7013841
7.	2nd Cam-Check O-Ring	40583188	40583188	40583301	40583301

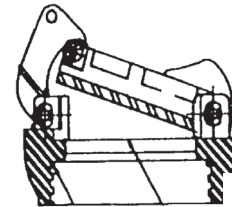
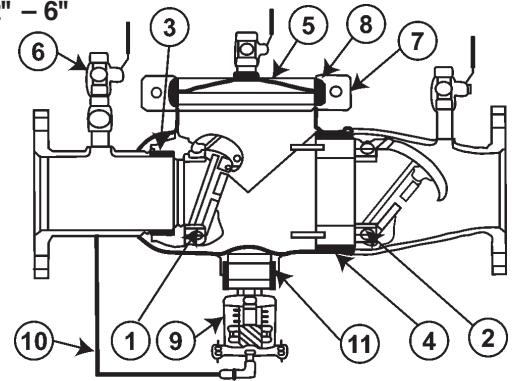
(ALL PARTS LISTED ABOVE ARE REMOVABLE)

**Lead-Free Kits  
are now available!**  
 Please specify part  
 number with "LF"  
 suffix

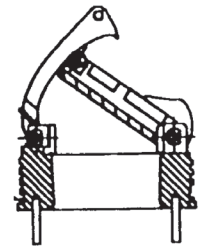


**SERIES 4000SS REDUCED PRESSURE ZONE ASSEMBLY 2-1/2" – 6"**  
**SERIES 5000SS REDUCED PRESSURE DETECTOR ASSEMBLY 2-1/2" – 6"**

4000SS AND 5000SS REDUCED PRESSURE VALVE ASSEMBLY 2-1/2" – 6"					
Item #	Description	2-1/2"	3"	4"	6"
1.	#1 Cam-Check	40585561	40585561	40585561	40585566
2.	#2 Cam-Check	40585560	40585560	40585560	40585565
3.	#1 Cam-Check O-Ring	40585333	40585333	40585333	40583280
4.	#2 Cam-Check O-Ring	40583229	40583229	40583229	40583281
5.	Cover Plate	7013241	7013241	7013241	7013289
6.	Ball Valve	7014668	7014668	7014668	7014668
7.	Groove Coupler (Cover)	7013194	7013194	7013194	7013287
8.	Groove Coupler Gasket	7013248	7013248	7013248	7013308
9.	Relief Valve (Hose not included)	7013354	7013354	7013354	7013354
10.	Relief Valve Hose	7013343	7013343	7013343	7013343
11.	Relief Valve Body O-Ring	A400084	A400084	A400084	A400084
12.	Ball Valve (Cover)	A603134	A603134	A603134	A603134

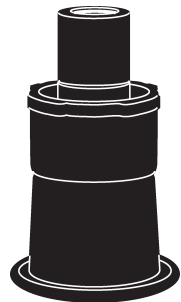


Cam Check #1

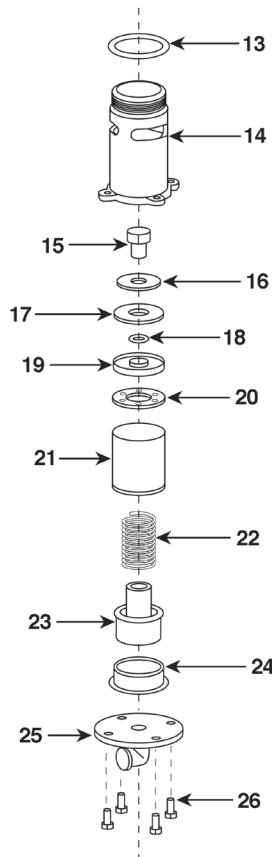


Cam Check #2

NOTE: For repair of the 4000 BLT and 6000 HMB use 4" 4000SS/5000SS parts as listed  
 4000SS and 5000SS parts interchange with Watts Regulator Model 994 and 994 RPDA.  
 See page 16 for a complete cross reference.



Piston Diaphragm Assembly (23, 24)



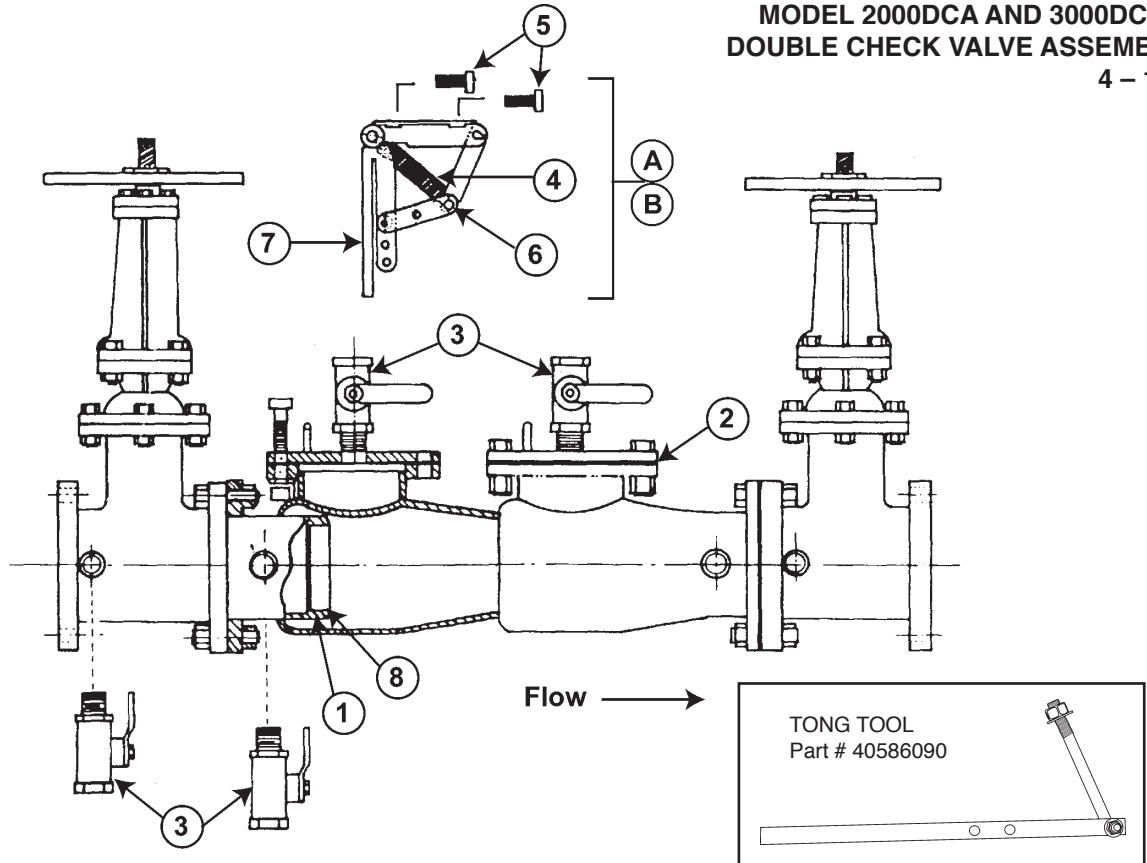
4000SS AND 5000SS RELIEF VALVE ASSEMBLY 2-1/2" – 10"		
Item #	Description	2-1/2"-10"
13.	Relief Valve Body O-ring	
14.	Relief Valve Body.	7013337
15.	Hex Head Bolt	7013326
16.	Disk Washer	
17.	Disk	40583330
18.	Disk O-Ring	
19.	Disk Holder	
20.	Spring Stop	
21.	Sleeve	7013340
22.	Spring	7013368
23, 24.	Piston and Diaphragm Assembly	40583352
25.	Bottom Flange (w/ St. Elbow)	7013339
	Rubber Repair Kit (includes 11, 17, 23, 24 and O-ring Disk – not shown)	7018897
	Relief Valve Rubber Parts Kit (available from Watts Regulator – includes rubber disk, piston diaphragm, assembly, disk retainer, relief valve body o-ring.)	0888839
	Relief Valve Total Kits (available from Watts Regulator – includes body, disk, piston diaphragm assy, hex head bolt, disk retainer, sleeve, bottom bolt, shut-off plate and bottom bolt & flange, sleeve and shut-off plate)	0888840



**Lead-Free Kits  
are now available!  
Please specify part  
number with "LF"  
suffix**

**TOTAL MAINTENANCE SOLUTIONS**  
**AMES**  
**FIRE AND WATERWORKS**

**MODEL 2000DCA AND 3000DCDA  
DOUBLE CHECK VALVE ASSEMBLY  
4 – 10"**

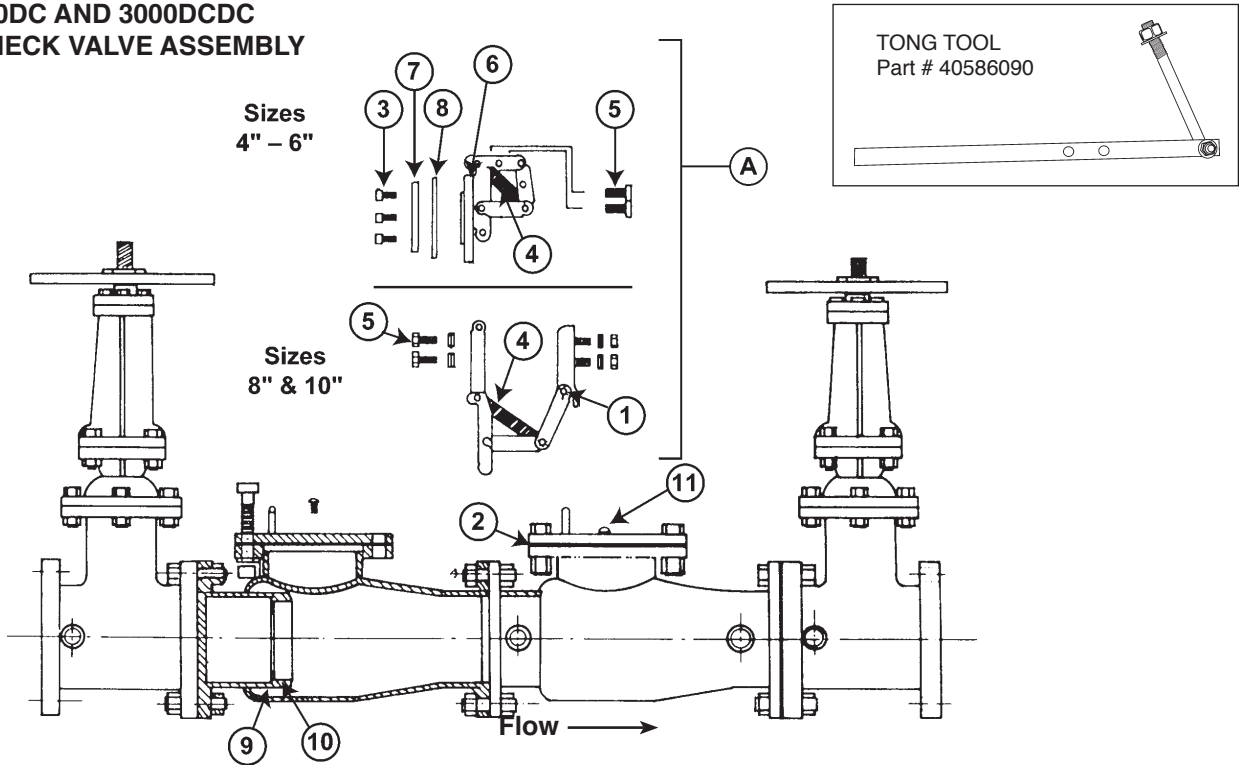


2000DCA AND 3000DCD DOUBLE CHECK VALVE ASSEMBLY					
Item #	Description	4"	6"	8"	10"
A.	DCA Knuckle Joint Assembly	40581441	40581220	40581433	40581236
B.	DCDA Knuckle Joint Assembly	40581442	40581426	40581257	40581236
1.	Seat O-Ring (Not Shown)	7011161	A300704	A300706	A300706
2.	Bonnet Gasket	40581199	40581124	40581125	40581125
3.	Ball Valve	7014668	A000449	A000449	A000449
4.	DCA Spring	7011322	7011128	7011323	7011319
4a.	DCDA Spring	7011320	7011128	7011323	7011319
	# of springs required	2	(3) #1 ck (2) #2 ck	3	2
5.	3/8" Stainless Steel Housing Bolts	40584619	40584619	40584619	40584619
6.	Linkage Retainer Clip Washer (rubber faced) (Not Shown)	7011037	7011037	7011037	7011037
7.	Clapper Plate (rubber faced)	40581418	40581419	40581421	40581421
8.	Bronze Seat Ring	7011160	7011162	7011163	7011163
9.	Tong Tool (8 & 10" only) Clapper Retainer Clip (Not Shown)	N/A	N/A	40586090	40586090
	Seat Install & Removal Tool (Not Shown)	7013941	7013946	7013950	7013950

*Lead-Free Kits  
are now available!  
Please specify part  
number with "LF"  
suffix*



**MODEL 2000DC AND 3000DCDC  
DOUBLE CHECK VALVE ASSEMBLY  
4 – 10"**



2000DC AND 3000DCDC DOUBLE CHECK VALVE ASSEMBLY					
Item #	Description	4"	6"	8"	10"
A.	Knuckle Joint Assembly (1st & 2nd identical)	7011224	7011142	40581236	40581236
1.	Linkage Retainer Clip	7011037	7011037	7011037	7011037
2.	Bonnet Gasket	7011123	40581124	40581125	40581125
3.	Clapper Keeper Bolts	A000483	A000483	-	-
4.	Spring	7011320	7011128	7011319	7011319
5.	3/8" Stainless Steel Housing Bolts	40584619	40584619	40584619	40584619
6.	Washer (rubber faced)	40584585	40584585	40584585	40584585
7.	Retainer Plate	7011226	7011145	-	-
8.	Molded Rubber Clapper Insert	7011227	7011144	-	-
9.	Seat O-Ring	7011161	A300704	A300706	A300706
10.	Seat	7011160	7011162	7011163	7011163
11.	Vent Screw	7011133	7011133	7011133	7011133
12.	Tong Tool	N/A	N/A	40586090	40586090
13.	Clapper Retainer Clip (Not Shown)	40583911	40583912	40583913	40583913
14.	Ball Valve (Not Shown)	A000449	A000449	A000449	A000449
15.	Clapper Plate (Rubber-Faced)	7011228	7011229	7011420	7011420
16.	Seat Install & Removal Tool (Not Shown)	7013941	7013946	7013950	7013950

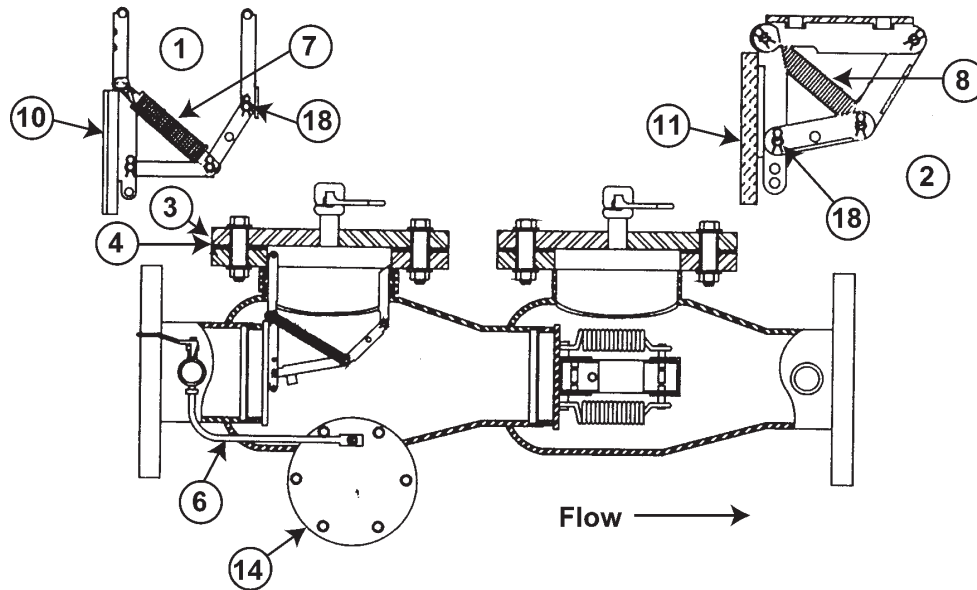




**Lead-Free Kits  
are now available!  
Please specify part  
number with "LF"  
suffix**

**TOTAL MAINTENANCE SOLUTIONS**  
**AMES**  
**FIRE AND WATERWORKS**

**SERIES 4000 RP EPOXY REDUCED PRESSURE  
ZONE ASSEMBLY  
4" -10"**

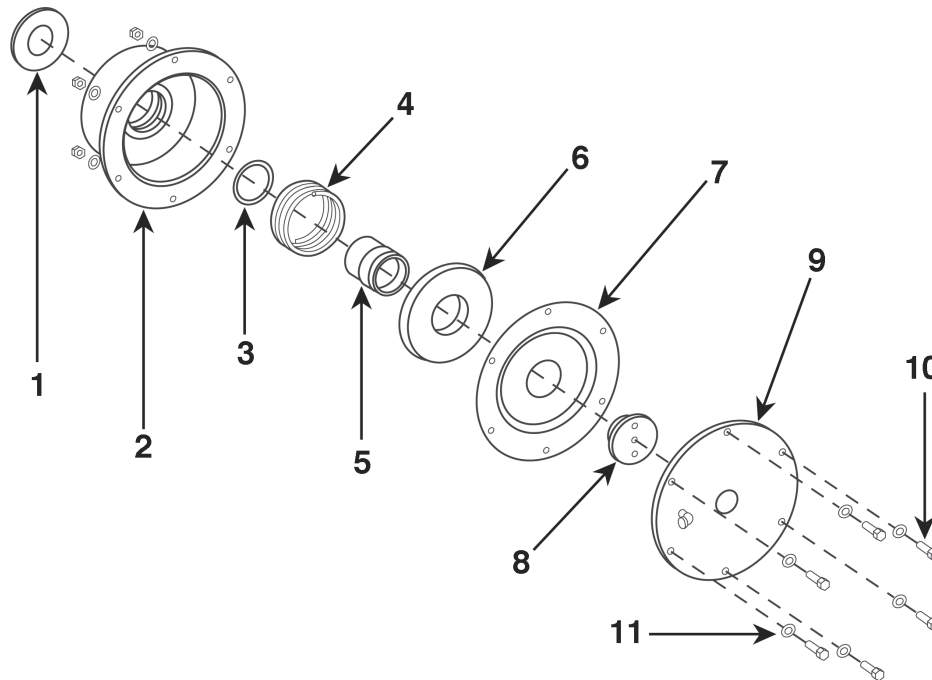


SERIES 4000 RP EPOXY REDUCED PRESSURE ZONE ASSEMBLY					
Item #	Description	4"	6"	8"	10"
1.	1st Knuckle Joint Assembly	40581208	40581415	40585553	40585553
2.	2nd Knuckle Joint Assembly	40581442	40581220	40581257	40581257
3.	Bonnet Flange and Cover	7011430	7011442	7011453	7011453
4.	Bonnet Gasket	40581199	40581124	40581125	40581125
5.	Ball Valve	7014668	A000449	A000449	A000449
6.	Braided Hose	40584645	40584645	40584645	40584645
7.	1st Assembly Springs (# of springs required)	7011320 (2)	7011319 (2)	7011319 (5)	7011319 (5)
8.	2nd Assembly Springs (# of springs required)	7011322 (2)	7011128 (2)	7011323 (3)	7011323 (3)
9.	3/8" Stainless Steel Housing Bolts (Not Shown)	40584619	40584619	40584619	40584619
10.	Washer (rubber faced)	40584585	40584585	40584585	40584585
11.	Vulcanized Clapper Plate	40581418	40581419	40581421	40581421
12.	Bronze Seat Ring	7011160	7011162	7011163	7011163
13.	Seat O-Ring (Not Shown)	7011161	A300704	A300706	A300706
14.	Relief Valve	40581283	40581283	40581283	40581283
15.	Clapper Retainer CFlip (Not Shown)	40583911	40583912	40583913	40583913
16.	Tong Tool (all sizes, see page 8)	40586090	40586090	40586090	40586090
17.	Seat Install & Removal Tool	7013941	7013946	7013950	7013950
18.	Linkage Retainer Clip	7011037	7011037	7011037	7011037

*Lead-Free Kits  
are now available!  
Please specify part  
number with "LF"  
suffix*



**SERIES 4000 RELIEF VALVE REDUCED PRESSURE ZONE ASSEMBLY EPOXY  
4" - 10"**



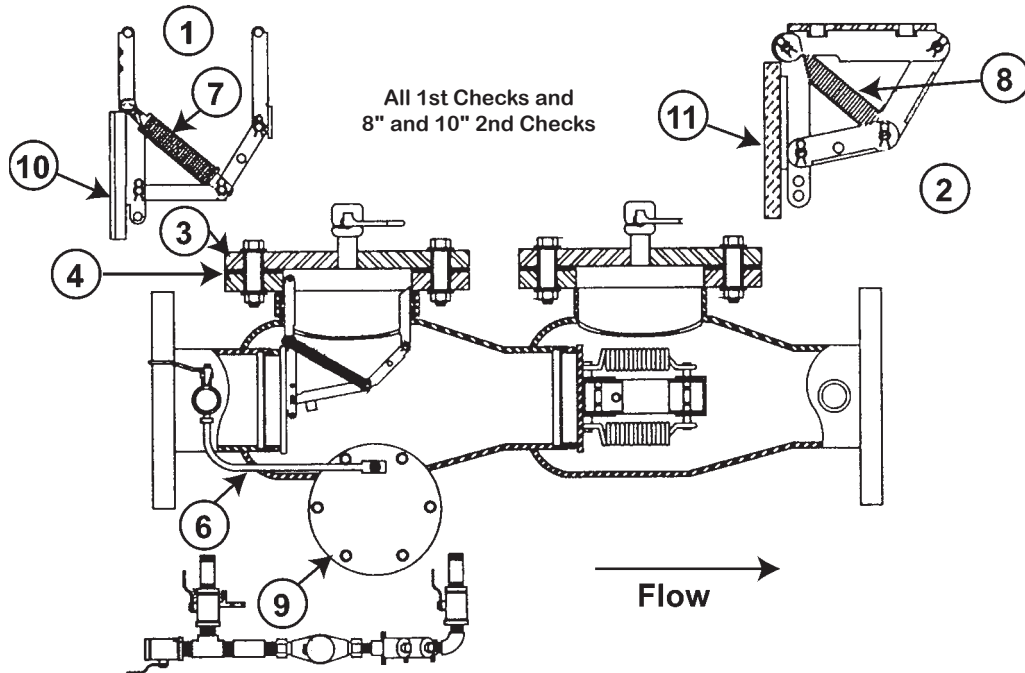
SERIES 4000 AND SERIES 5000 RELIEF VALVE REDUCED PRESSURE ZONE ASSEMBLY EPOXY		
ITEM #	DESCRIPTION	PART #
	Relief Valve (Complete)	40581283
1.	Relief Valve Mounting Seat Gasket	7011295
2.	Relief Valve Body	
3.	Relief Valve O-ring	7011233
4.	Relief Valve Spring	A300887
5.	Relief Valve Stainless Steel Seat Tube	7011290
6.	Relief Valve Diaphragm Bottom Plate	7011294
7.	Relief Valve Diaphragm	7011292
8.	Relief Valve Diaphragm Top Plate	7011291
9.	Relief Valve Cover	
10.	Relief Valve Cover Bolts	
11.	Relief Valve Cover Washers	
	Relief Valve Mounting Bolt (Not Shown)	40584619
	Relief Valve Repair Kit (includes #1, #3, #7)	40583955



**Lead-Free Kits  
are now available!  
Please specify part  
number with "LF"  
suffix**

**TOTAL MAINTENANCE SOLUTIONS**  
**AMES**  
**FIRE AND WATERWORKS**

**REDUCED PRESSURE DETECTOR ASSEMBLY 5000 RPDA EPOXY**  
**4" -10"**  
**(OBSOLETE)**



5000 RPDA EPOXY					
Item #	Description	4"	6"	8"	10"
1.	1st Knuckle Joint Assembly	40581414	40581415	40585553	40585553
2.	2nd Knuckle Joint Assembly	40581442	40581220	40581236	40581236
3.	Bonnet Flange and Cover	7011430	7011442	7011453	7011453
4.	Bonnet Gasket	40581199	40581124	40581125	40581125
5.	Ball Valve (Not Shown)	7014668	A000449	A000449	A000449
6.	Braided Hose	40584645	40584645	40584645	40584645
7.	1st Assembly Spring (# of springs required)	7011320 (2)	7011319 (2)	7011319 (5)	7011319 (5)
8.	2nd Assembly Spring (# of springs required)	7011322 (2)	7011128 (2)	7011323 (3)	7011323 (3)
	3/8" Stainless Steel Housing Bolts (Not Shown)	40584619	40584619	40584619	40584619
9.	Relief Valve	40581283	40581283	40581283	40581283
10.	Washer (rubber faced) (Not Shown)	40584585	40584585	40584585	40584585
11.	Vulcanized Clapper Plate	40581418	40581419	40581421	40581421
12.	Bronze Seat Ring (Not Shown)	7011160	7011162	7011163	7011163
13.	Seat O-Ring (Not Shown)	7011161	A300704	A300706	A300706
14.	Clapper Retainer Clip (Not Shown)	40583911	40583912	40583913	40583913
15.	Tong Tool (all sizes, see page 8)	40586090	40586090	40586090	40586090
16.	Seat Install & Removal Tool	7013941	7013496	7013950	7013950
17.	Linkage Retainer Clip	7011037	7011037	7011037	7011037

*Lead-Free Kits  
 are now available!  
 Please specify part  
 number with "LF"  
 suffix*



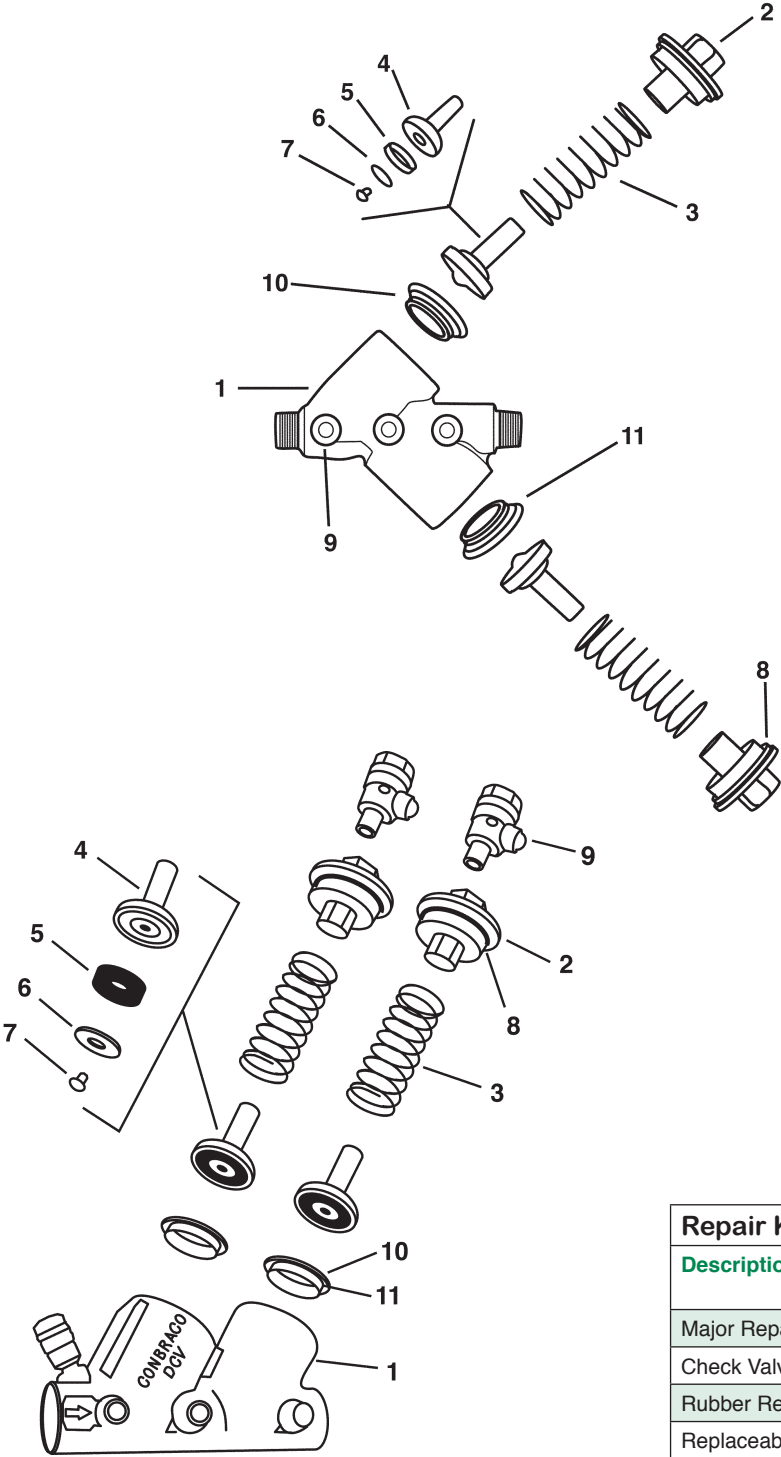
<b>WATTS/AMES CROSS REFERENCE</b>		
<b>Watts Model #</b>	<b>Size</b>	<b>Ames Model #</b>
007	Series 3/4" – 2"	2000B Series
007 DCDA	Series 2"	3000B Series
007	Series 2-1/2" – 3"	N/A
709	Series 3/4" – 2"	N/A
709	Series 2-1/2" – 10"	2000CIV
774	Series 2-1/2" – 10"	2000SS Series
774X	Series 2-1/2", 6 – 8"	2000SE Series
774 DCDA	Series 2-1/2" – 10"	3000SS Series
774X DCDA	Series 2-1/2", 6 – 8"	3000SE Series
775	Series 3/4" – 1-1/2"	N/A
775	Series 2-1/2" – 8"	2001SS Series
775 DCDA	Series 2-1/2" – 8"	3001SS Series
757	Series 2-1/2" – 10"	C200 Series
757(a)	Series 2-1/2" – 10" "A" Series type has 1 knuckle joint. Regular type has 2 joints.	C200(a) Series
757 DCDA	Series 2-1/2" – 10"	C300 Series
757a DCDA	Series 2-1/2" – 10" "A" Series type has 1 knuckle joint. Regular type has 2 joints.	C300(a) Series
N/A	Series 2-1/2" – 8"	M200 Series
N/A	Series 2-1/2" – 8"	M300 Series
N/A	Series 2-1/2" – 10"	2000 DC Series
N/A	Series 2-1/2" – 10"	3000 DCDC
009	Series 3/4" – 2"	4000B Series
009	Series 2-1/2" – 3"	N/A
909	Series 3/4" – 2"	N/A
909	Series 2-1/2" – 10"	4000CIV Series
994	Series 2-1/2" – 10"	4000SS Series
994 RPDA	Series 2-1/2" – 6"	5000SS Series
995	Series 3/4" – 1-1/2"	N/A
995	Series 2-1/2" – 8"	4001SS Series
995 RPDA	Series 2-1/2" – 6"	5001 Series
957	Series 2-1/2" – 10"	C400 Series
957 RPDA	Series 2-1/2" – 10"	C500 Series
N/A	Series 2-1/2" – 8"	M400 Series
N/A	Series 2-1/2" – 8"	M500 Series
N/A	Series 2-1/2" – 10"	4000 RP Series
N/A	Series 2-1/2" – 10"	5000 RPDA Series



**Lead-Free Kits  
are now available!**  
Please specify part  
number with "LF"  
suffix

**TOTAL MAINTENANCE SOLUTIONS**  
**APOLLO VALVES**  
MANUFACTURED BY CONBRACO

**40-100 DOUBLE CHECK VALVE ASSEMBLY REPAIR KITS**  
**3/4" - 2"**



MAJOR REPAIR KIT CONTENTS		
Item #	Description	Qty.
4	Poppet	2
5	Seat Disk	2
6	Seat Retainer	2
7	Screw	2
8	Cap O-Ring	2
10	Check Seat	2
11	Check Seat O-Ring	2

CHECK VALVE REPAIR KIT CONTENTS		
Item #	Description	Qty.
4	Poppet	1
5	Seat Disk	1
6	Seat Retainer	1
7	Screw	1
8	Cap O-Ring	1
10	Check Seat	1
11	Check O-Ring	1

RUBBER REPAIR KIT CONTENTS		
Item #	Description	Qty.
5	Seat Disk	2
8	Cap O-Ring	2
11	Check O-Ring	2

REPLACEABLE SEAT KIT CONTENTS		
Item #	Description	Qty.
10	Check Seat	2
11	Check O-Ring	2

Repair Kits		
Description	Size 3/4" & 1"	Size 1-1/4", 1-1/2", 2"
Major Repair Kit	40583092	40583094
Check Valve Repair Kit	40583028	40583030
Rubber Repair Kit	40583022	40583024
Replaceable Seat Kit	40580004	40580007



TOTAL MAINTENANCE SOLUTIONS  
**APOLLO VALVES**  
 MANUFACTURED BY CONBRACO

*Lead-Free Kits  
 are now available!  
 Please specify part  
 number with "LF"  
 suffix*



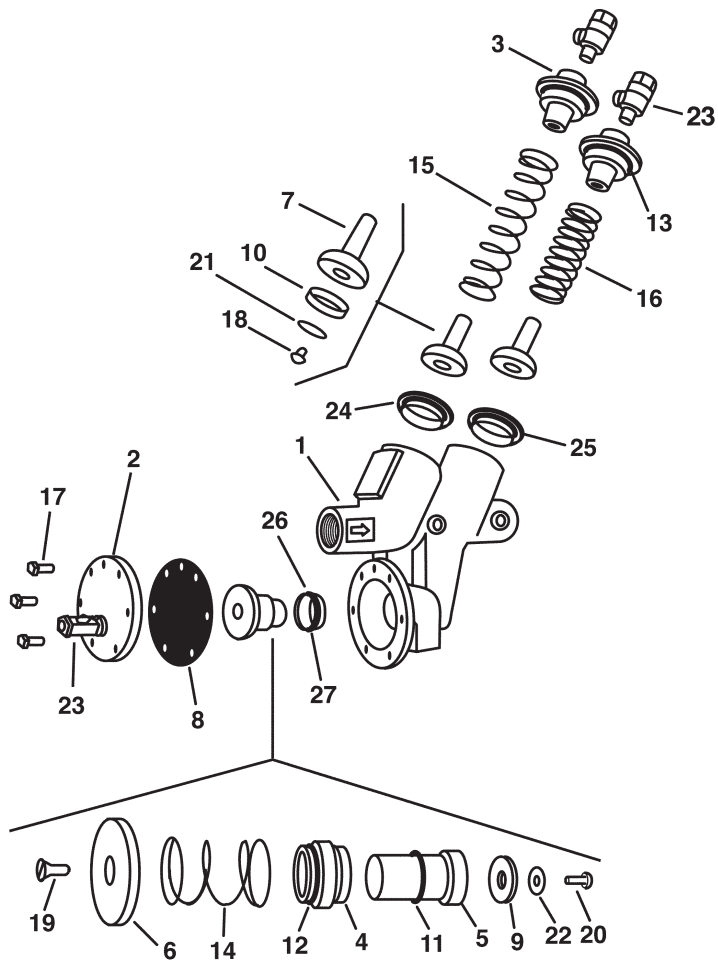
**40-200 REDUCED PRESSURE PRINCIPLE  
 1/4" – 2"**

CHECK VALVE REPAIR KIT CONTENTS		
Item #	Description	Qty.
7	Poppet	1
10	Check Seat Disk	1
13	Check Cap O-Ring	1
18	Screw	1
21	Retaining Washer	1
24	Check Seat	1
25	Check Seat O-Ring	1

RELIEF VALVE REPAIR KIT CONTENTS		
Item #	Description	Qty.
4	R.V. Bushing	1
5	R.V. Stem	1
6	Diaphragm Plate	1
8	R.V. Diaphragm	1
9	R.V. Seat Disk	1
11	Stem O-Ring	1
12	Bushing O-Ring	1
14	R.V. Spring	1
19	Screw	1
20	Screw	1
22	Retaining Washer	1
26	R.V. Seat	1
27	R.V. O-Ring	1

RUBBER REPAIR KIT CONTENTS		
Item #	Description	Qty.
8	R.V. Diaphragm	1
9	R.V. Seat Disk	1
10	Check Seat Disk	2
11	Stem O-Ring	1
12	Bushing O-Ring	1
13	Check Cap O-Ring	2
25	Check O-Ring	2
27	R.V. O-Ring	1

Springs			
Desc.	1/4 - 1/2"	3/4 - 1"	1 1/4" - 2"
CK1	40581797	40581699	40581703
CK2	40581794	40581700	40581701
RV	40581795	40581698	40581702



REPLACEABLE SEAT KIT CONTENTS		
Item #	Description	Qty.
24	Check Seat	2
25	Check O-Ring	2
26	RV Seat	1
27	RV O-Ring	1

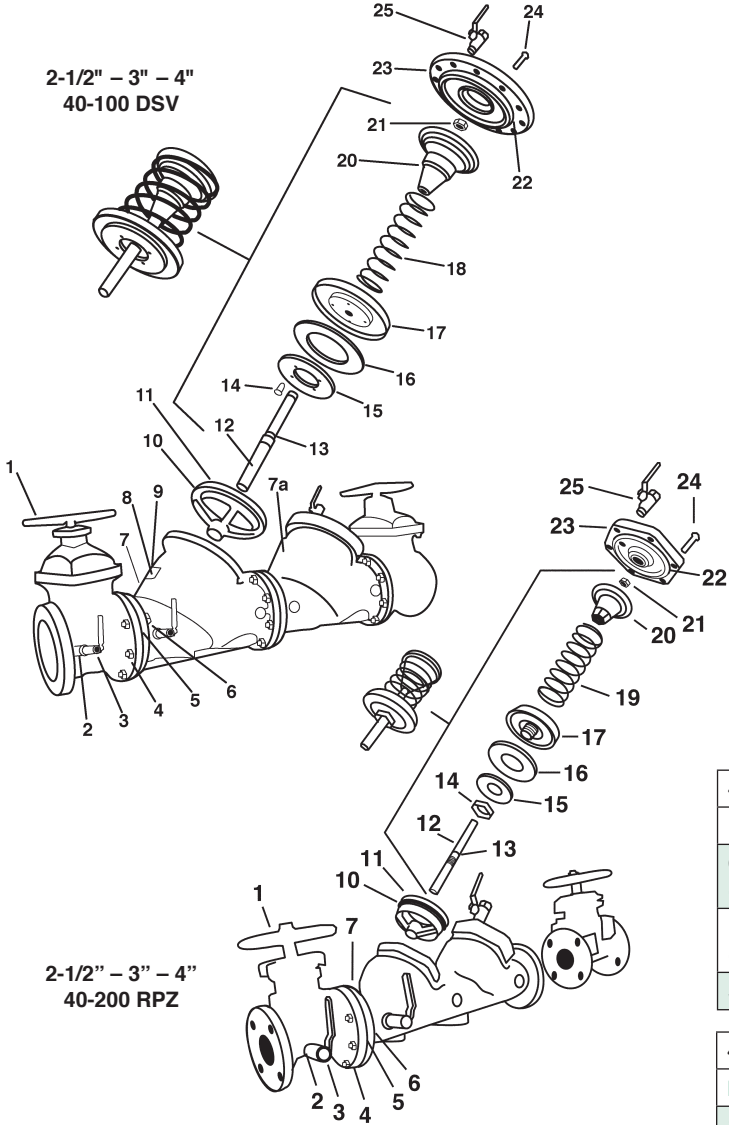
Repair Kits			
Description	Size 1/4", 3/8", 1/2"	Size 3/4" & 1"	Size 1-1/4", 1-1/2", 2"
Major Repair Kit	40584002	40584004	40584006
(4, 5, 6, 7 (2), 8, 9, 10 (2), 11, 12, 13 (2), 14, 18 (2), 19, 20, 21(2), 22, 24 (2), 25 (2), 26, 27)			
Check Valve Repair Kit	40583016	40583028	40583030
Relief Valve Repair Kit	40583011	40583012	40583014
Rubber Repair Kit	40583002	40583004	40583006
Replaceable Seat Kit	40580157	40580158	40580159
Air Gap Drain	40580166	40580167	40580168



**Lead-Free Kits  
are now available!**  
Please specify part  
number with "LF"  
suffix

**TOTAL MAINTENANCE SOLUTIONS**  
**APOLLO VALVES**  
MANUFACTURED BY CONBRACO

**40-100 DCV & 40-200 RPZ**  
**2-1/2" - 3" - 4"**



40-100 DCV CHECK VALVE REPAIR KIT CONTENTS 40-200 RPZ CHECK VALVE REPAIR KIT CONTENTS		
Item #	Description	Qty.
12	C.V. Stem	1
13	C.V. Stem O-Ring	1
14	Retainer Nut	1
15	Retainer Washer	1
16	C.V. Seat Disk	1
17	Seat Disk Holder	1
18 or 19	Check Spring	1
20	Spring Retainer	1
21	Jam Nut	1
22	Cap O-Ring	1

RUBBER REPAIR KIT CONTENTS 40-100 DCV & 40-200 RPZ		
Item #	Description	Qty.
10	C.V. Seat O-Ring	2
13	C.V. Stem O-Ring	2
16	C.V. Seat Disk	2
22	Cap O-Ring	2

40-100 DCV REPAIR KITS			
Description	Size 2-1/2" - 3"	Size 4"	
Check Valve Repair Kit (12, 13, 14, 15, 16, 17, 18, 20, 21, 22)	40583052	40583064	
Rubber Repair Kit (2 each 10, 13, 16, 22)	40583040	40583042	
Seat Repair Kit (10, 11, 22)	40580903	40580904	

40-200 RPZ REPAIR KITS			
Description	Size 2-1/2" - 3"	Size 4"	
1st Check Valve Repair Kit (12, 13, 14, 15, 16, 19, 20, 21, 22)	40583062	40583054	
2nd Check Valve Repair Kit (12, 13, 14, 15, 16, 17, 18, 20, 21, 22)	40583052	40583064	
Rubber Repair Kit (2 each 10, 13, 16, 22)	40583040	40583042	
Relief Valve Rubber Repair Kit (29, 31, 33, 34, 40, 42, 43)	40583072	40583074	
Seat Repair Kit (10, 11, 22)	40580903	40580904	

40-100 DCV INDIVIDUAL REPAIR PARTS			
Description	Size 2-1/2" - 3"	Size 4"	
CK1 Spring	40581741	40581744	
CK2 Spring	40581741	40581744	

40-200 RPZ INDIVIDUAL REPAIR PARTS			
Description	Size 2-1/2" - 3"	Size 4"	
CK1 Spring	40581740	40581743	
CK2 Spring	40581741	40581744	
RV Spring	40581742	40581742	

TOTAL MAINTENANCE SOLUTIONS  
**APOLLO VALVES**  
 MANUFACTURED BY CONBRACO

*Lead-Free Kits  
 are now available!  
 Please specify part  
 number with "LF"  
 suffix*

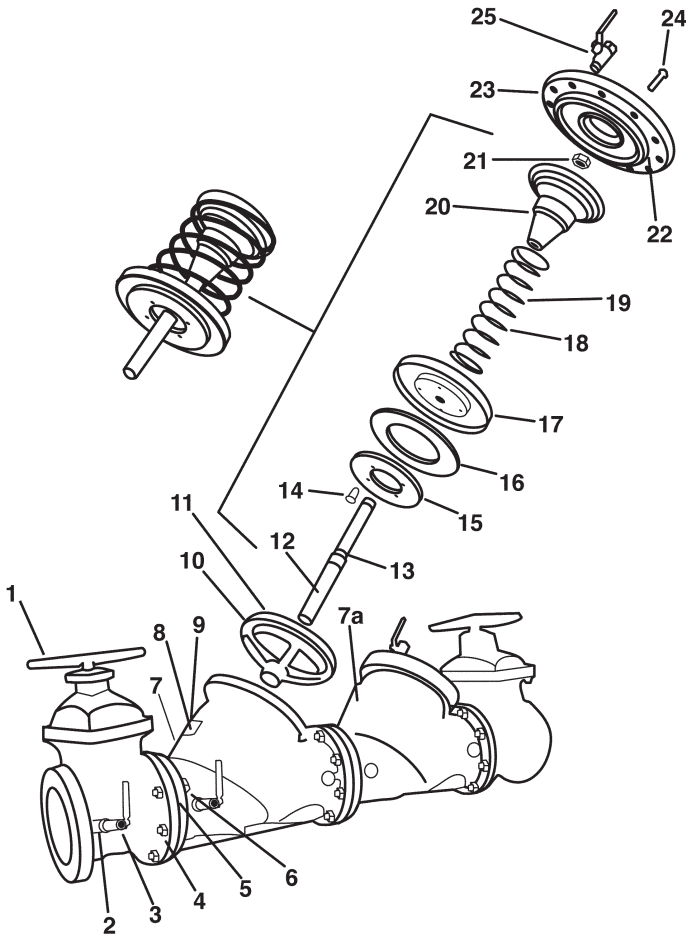


**40-100 DCV & 40-200 RPZ**  
**6" – 8" – 10" BACKFLOW PREVENTER REPAIR KITS**

40-100 DCV CHECK VALVE REPAIR KIT CONTENTS		
40-200 RPZ CHECK VALVE REPAIR KIT CONTENTS		
Item #	Description	Qty.
12	C.V. Stem	1
13	C.V. Stem O-Ring	1
14	Retainer Nut	1
15	Retainer Washer	1
16	C.V. Seat Disk	1
17	Seat Disk Holder	1
18 or 19	Check Spring	1
20	Spring Retainer	1
21	Jam Nut	1
22	Cap O-Ring	1

RUBBER REPAIR KIT CONTENTS		
40-100 DCV & 40-200 RPZ		
Item #	Description	Qty.
10	C.V. Seat O-Ring	2
13	C.V. Stem O-Ring	2
16	C.V. Seat Disk	2
22	Cap O-Ring	2

40-200 RPZ Repair Kits			
Description	Size 6"	Size 8"	Size 10"
1st Check Valve Repair Kit (12, 13, 14, 15, 16, 17, 19, 20, 21, 22)	40583056	40583058	40583060
2nd Check Valve Repair Kit (12, 13, 14, 15, 16, 17, 18, 20, 21, 22)	40583066	40583068	40583070
Seat Repair Kit (10, 11, 22)	40580905	40580906	40580907
Rubber Repair Kit (2 each 10, 13, 16, 22)	40583046	40583048	40583050
1st Check Spring	40581745	40581747	40581778
2nd Check Spring	40581746	40581748	40581779
RV Spring	40581742	40581749	40581749



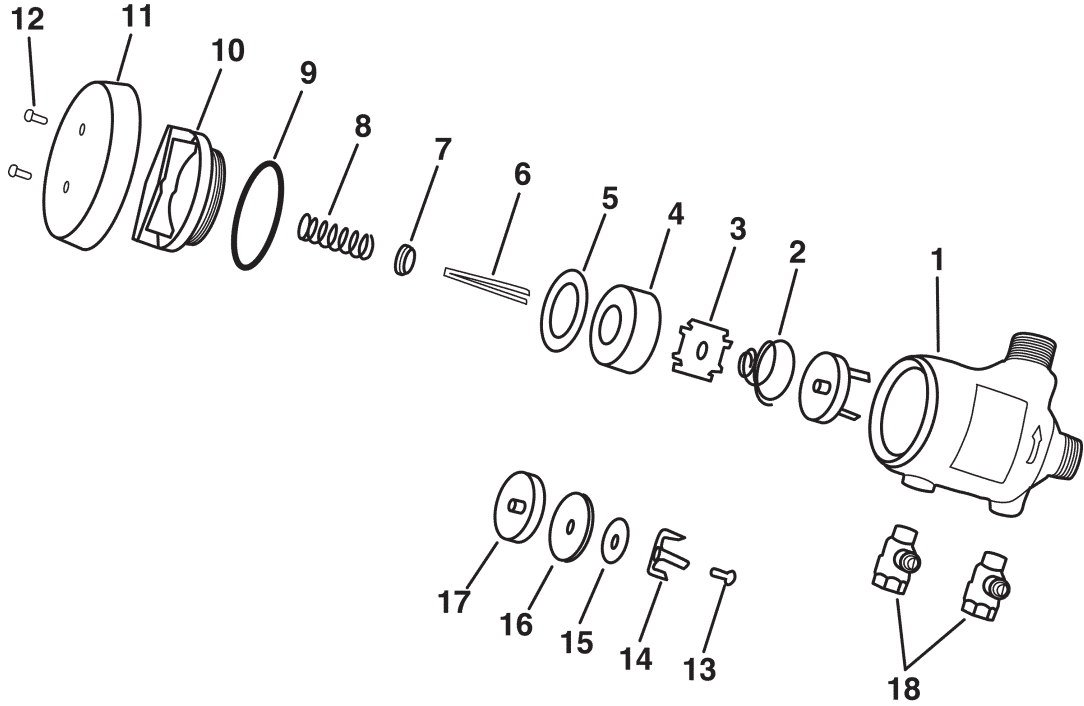
40-100 DCV Repair Kits			
Description	Size 6"	Size 8"	Size 10"
Check Valve Repair Kit (12, 13, 14, 15, 16, 17, 18, 20, 21, 22)	40583066	40583068	40583070
Seat Repair Kit (10, 11, 22)	40580905	40580906	40580907
Rubber Repair Kit (2 each 10, 13, 16, 22)	40583046	40583048	40583050
Check Spring	40581746	40581748	40581779



**Lead-Free Kits  
are now available!**  
Please specify part  
number with "LF"  
suffix

TOTAL MAINTENANCE SOLUTIONS  
**APOLLO VALVES**  
MANUFACTURED BY CONBRACO

40-500 PRESSURE TYPE VACUUM BREAKER  
REPAIR KITS  
1/2" - 2"



RUBBER REPAIR KIT CONTENTS		
Item #	Description	Qty.
5	Float Disk	1
9	Cap O-Ring	1
16	Seat Disk	1

COMPLETE REPAIR KIT CONTENTS		
Item #	Description	Qty.
2	Check Spring	1
4	Float	1
5	Float Disk	1
6	Guide Stem	1
8	Float Spring	1
9	Cap O-Ring	1
13	Screw	1
14	Check Guide	1
15	Washer	1
16	Seat Disk	1
17	Seat Holder	1

Repair Kits		
Description	Size 1/2", 3/4" & 1"	Size 1-1/4", 1-1/2" & 2"
Rubber Repair Kit	40583096	40583098
Complete Repair Kit	40584000	40584001
Check Spring	40581789	40581800

TOTAL MAINTENANCE SOLUTIONS  
**APOLLO VALVES**  
 MANUFACTURED BY CONBRACO

Lead-Free Kits  
 are now available!  
 Please specify part  
 number with "LF"  
 suffix

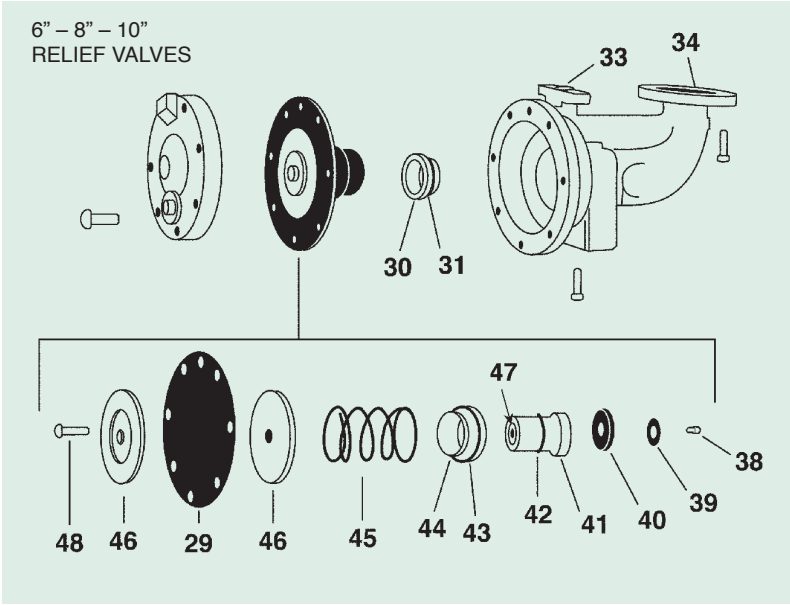
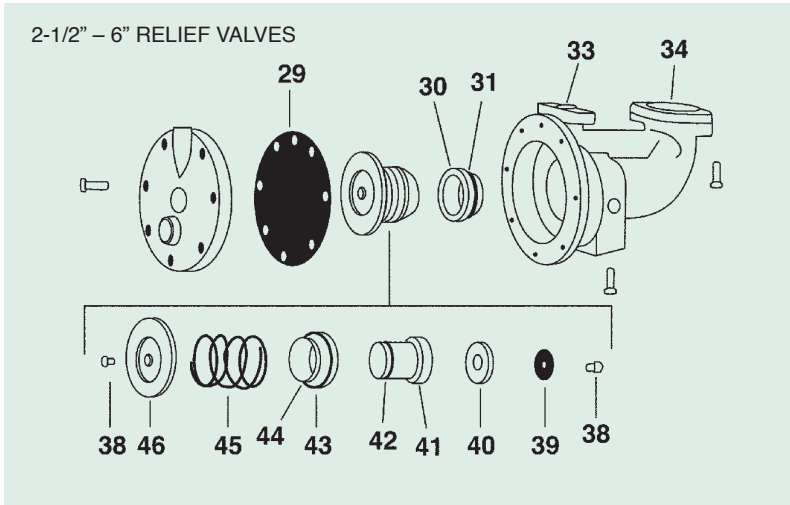


**REDUCED PRESSURE ZONE  
 RELIEF VALVE REPAIR KITS  
 2-1/2" -10"**

RELIEF VALVE REPAIR KIT CONTENTS		
Item #	Description	Qty.
29	Relief Valve Diaphragm	1
30	Relief Valve Seat Ring	1
31	Relief Valve Seat Ring O-Ring	1
33	Small Relief Valve O-Ring	1
34	Large Relief Valve O-Ring	1
38	Pan Head Screw	2
39	Relief Valve Seat Washer	1
40	Relief Valve Seat Washer	1
41	Relief Valve Stem	1
42	Relief Valve Stem O-Ring	1
43	Relief Valve Bushing O-Ring	1
44	Relief Valve Bushing	1
45	Relief Valve Spring	1
46	Diaphragm Plate	1 or 2*
47	Stem Face O-Ring	N/A
48	Diaphragm Bolt	N/A

RELIEF VALVE RUBBER REPAIR KIT		
Item #	Description	Qty.
29	Relief Valve Diaphragm	1
31	Relief Valve Seat Ring O-Ring	1
33	Small Relief Valve O-Ring	1
34	Large Relief Valve O-Ring	1
40	Relief Valve Seat Washer	1
42	Relief Valve Stem O-Ring	1
43	Relief Valve Bushing O-Ring	1
47	Stem Face O-Ring	N/A

\* 1 = 2-1/2"-6"  
 2 = 8 & 10"



Repair Kits	Size 2-1/2", 3"	Size 4"	Size 6"	Size 8"	Size 10"
Relief Valve Repair Kit (29, 30, 31, 34, 38, 39, 40, 41, 42, 43, 44, 45, 46, 47, 48*)	40583082	40583084	40583086	40583088	40583090
Relief Valve Rubber Repair Kit (29, 31, 33, 34, 40, 42, 43, 47*)	40583072	40583074	40583076	40583078	40583080

\*8" & 10" Only





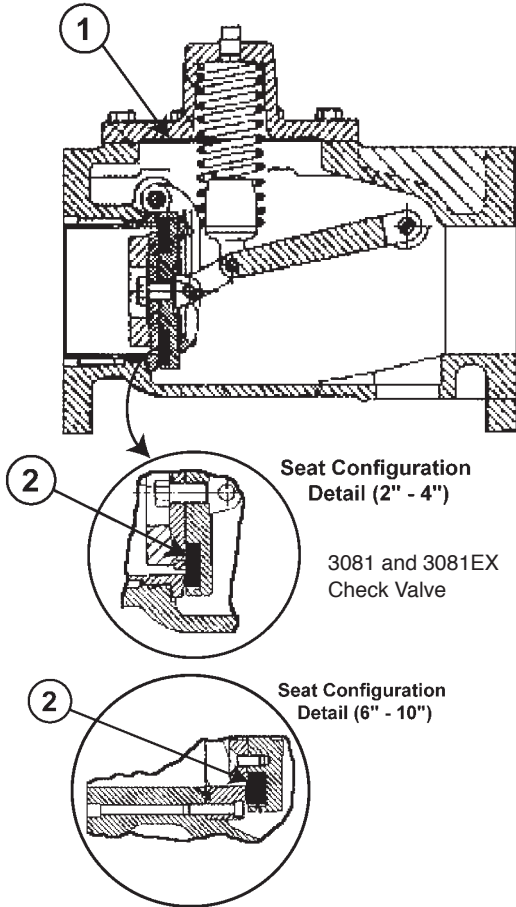
**Lead-Free Kits  
are now available!  
Please specify part  
number with "LF"  
suffix**

**TOTAL MAINTENANCE SOLUTIONS**

**CLA-VAL**

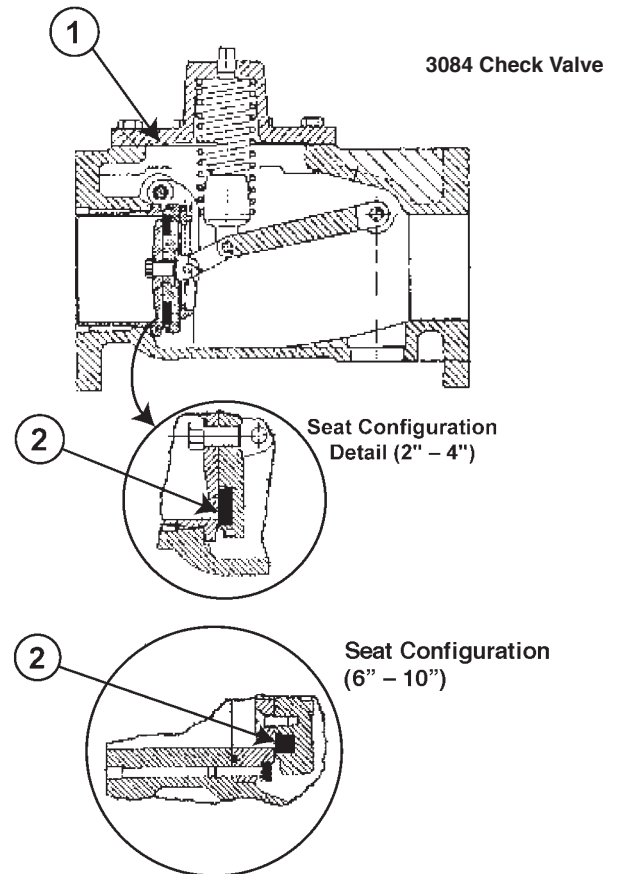
**AUTOMATIC CONTROL VALVES**

**MODEL 3081, 3081EX & 3084  
REDUCED PRESSURE  
2" - 10"**



CHECK VALVE REPAIR KIT CONTENTS		
Item #	Description	Qty.
1	Cover O-Ring	1
2	Disk	1

Kit is for one check only



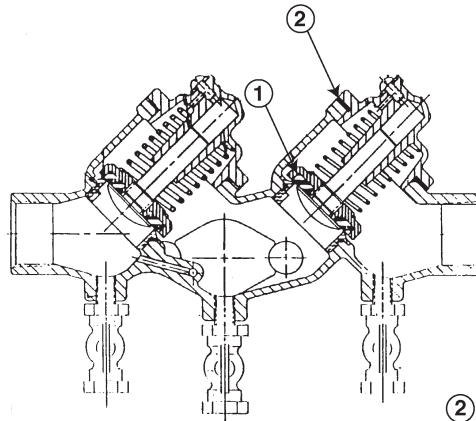
Repair Kits							
Description	Size 2"	Size 2-1/2"	Size 3"	Size 4"	Size 6"	Size 8"	Size 10"
Model 3081	40581319	40581320	40581321	40581322	40581323	40581324	40581325
Model 3081EX	40580862	40581320	40581321	40580853	40580864	40580865	40581325
Model 3084	40582601	40582603	40582603	40582604	40582605	40582606	40582607

**Lead-Free Kits  
are now available!  
Please specify part  
number with "LF"  
suffix**



**RP-2 & D-2  
REDUCED PRESSURE ZONE  
3/4" & 1", 1-1/4" & 1-1/2"**

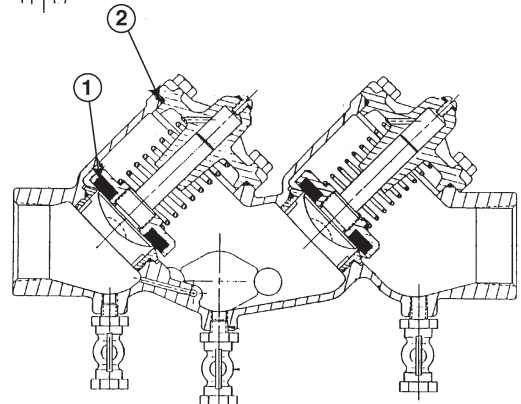
CHECK VALVE REPAIR KIT CONTENTS		
Item #	Description	Qty.
1	Disk	2
2	Cover O-Ring	2



RP2 & D-2 Check Valve Size 3/4" & 1"

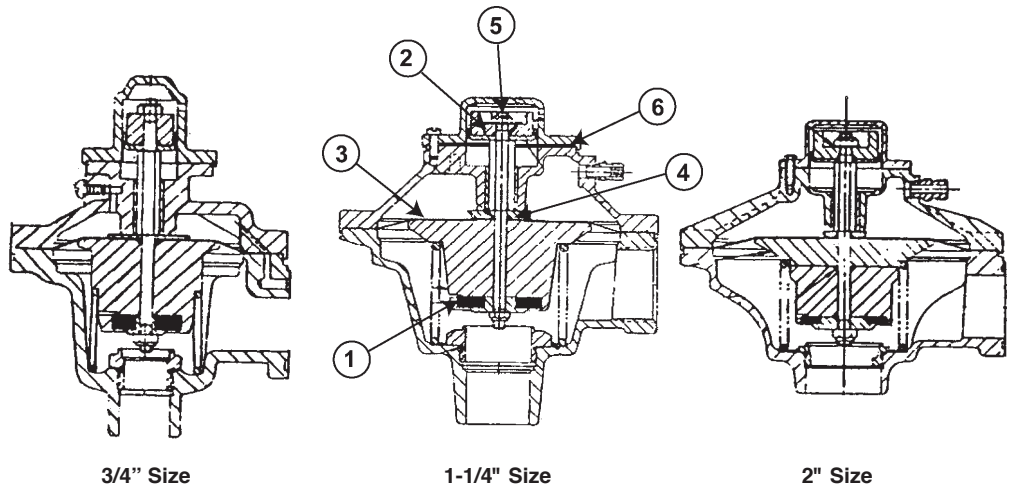
CHECK VALVE REPAIR KIT (PARTS FOR BOTH CHECKS)	
Part #	Size
40588415	3/4" & 1"
40588416	1-1/4" & 1-1/2"

RP2 & D-2 Check Valve Size 1-1/4" & 1-1/2"



**CDHS-20 & CDHS-24  
PRESSURE RELIEF VALVE  
3/4", 1-1/4" & 1-1/2"  
(CDHS-14 RV NLA, REPLACE WITH CDHS-24)  
REPAIR KITS**

RELIEF VALVE REPAIR KIT CONTENTS	
Item#	Description
1	Disk
2	Bellofram
3	Diaphragm
4	Stem O-Ring
5	Self Locking Nut
6	Washer
	Pipe Plug (not shown)



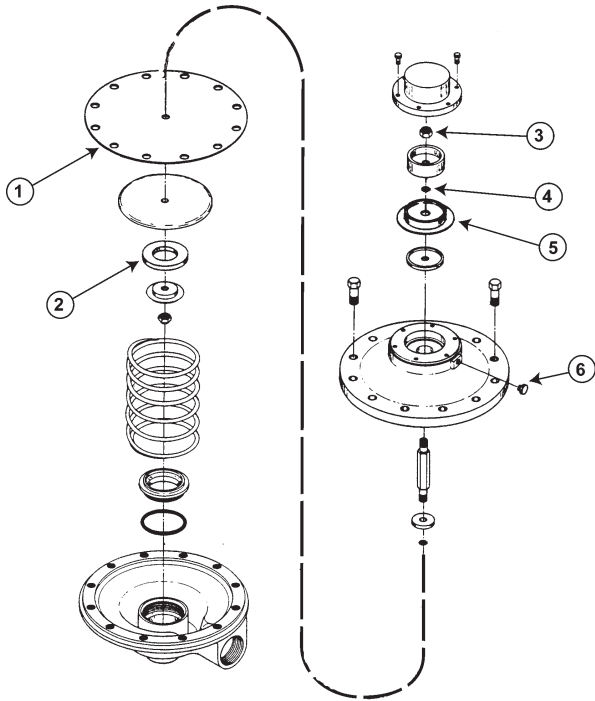
Relief Valve Repair Kits	
Part #	Description
40588417	Repair Kit for 3/4", 1-1/4" & 1-1/2"



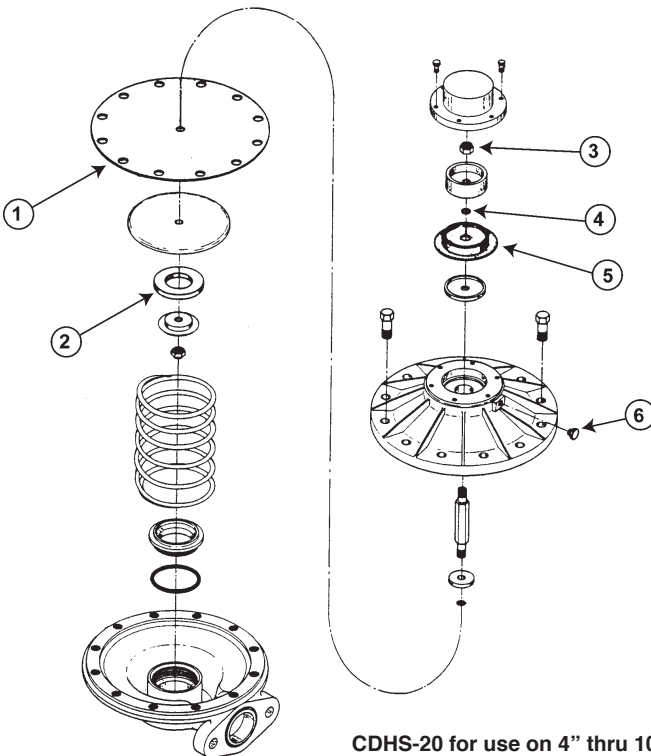
**Lead-Free Kits  
are now available!  
Please specify part  
number with "LF"  
suffix**

**TOTAL MAINTENANCE SOLUTIONS**  
**CLA-VAL**  
**AUTOMATIC CONTROL VALVES**

**CDHS-20 & CDHS-24  
PRESSURE RELIEF VALVE  
2" - 10"**



**CDHS-20 for use on 2" thru 3"**



**CDHS-20 for use on 4" thru 10"**

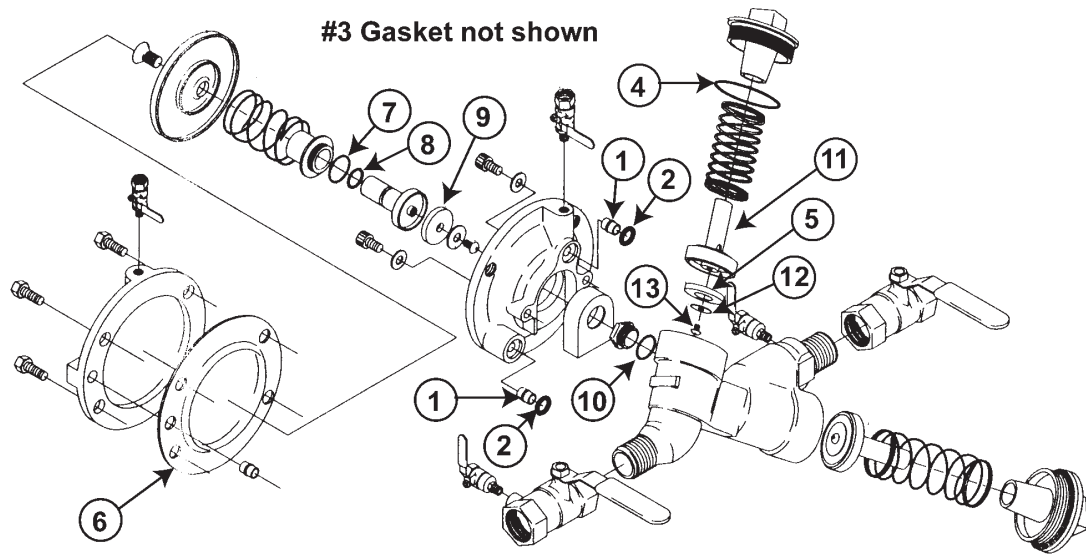
RELIEF VALVE REPAIR KIT CONTENTS	
Item#	Description
1	Diaphragm
2	Disk
3	Self Locking Nut
4	Stem O-Ring
5	Bellofram
6	Pipe Plug
	Washer (Not Shown)

DIFFERENTIAL RELIEF VALVE REPAIR KIT FOR CDHS-24 (RP-4) AND CDHS-20 (RP-1, RP-1EX)		
TMS #	Description	Kit Size
40588417	Used on all 3/4" through 1-1/2" RP2's	3/4"
40588418	Used on 2" through 3" RP-1, RP-1EX (CDHS20) RP-4 (CDHS-24)	1-1/4"
40588419	Used on 4" through 10" RP-1, RP-1EX (CDHS-20), RP-4 (CDHS-24)	2"

Lead-Free Kits  
 are now available!  
 Please specify part  
 number with "LF"  
 suffix



MODELS 805Y AND 825Y DOUBLE CHECK AND REDUCED PRESSURE  
 3/4" – 2"



825Y COMPLETE RUBBER KIT CONTENTS		
Fig. #	Description	Qty*
1	Bushing	3
2	O-Ring	2
3	Gasket	2
4	O-Ring	2
5	Seat Disk	2
6	Diaphragm	1
7	O-Ring	1
8	O-Ring	1
9	Seat Disk	1
10	O-Ring (RV)	1

\* Quantity required per valve. Some sizes require different quantities.

825Y Shown

805Y & 825Y CHECK ASSEMBLY CONTENTS		
Fig. #	Description	Qty*
4	O-Ring	1
5	Seat Disk	1
11	Disk Holder	1
12	Washer	1
13	Screw	1

\* Repairs one check.

805Y and 825Y (3/4" – 2")

Description	3/4"	1"	1-1/4"	1-1/2"	2"
Model 805Y and 825Y Check Valve Rubber Kit (2 ea. 4, 5)	40581010	40581010	40581010	40581020	40581020
825Y Complete Rubber Parts (1-10)	40585111	40585111	40585111	40585112	40585112
Single Check Kit (4, 5, 11-13)	40581030	40581030	40581030	40581040	40581040
805Y, YS, Check Spring #1 or #2, 825 Check Spring #2	40580115	40580115	40580115	40580118	40580118
825Y #1 Check Springs (inlet)	40580125	40580125	40580125	40580126	40580126
825Y #2 Check Springs (outlet)	40580115	40580115	40580115	40580118	40580118
RV Rubber Kit	40580043	40580043	40580043	40580054	40580054
RV Valve Kit	40580045	40580045	40580045	40580056	40580056



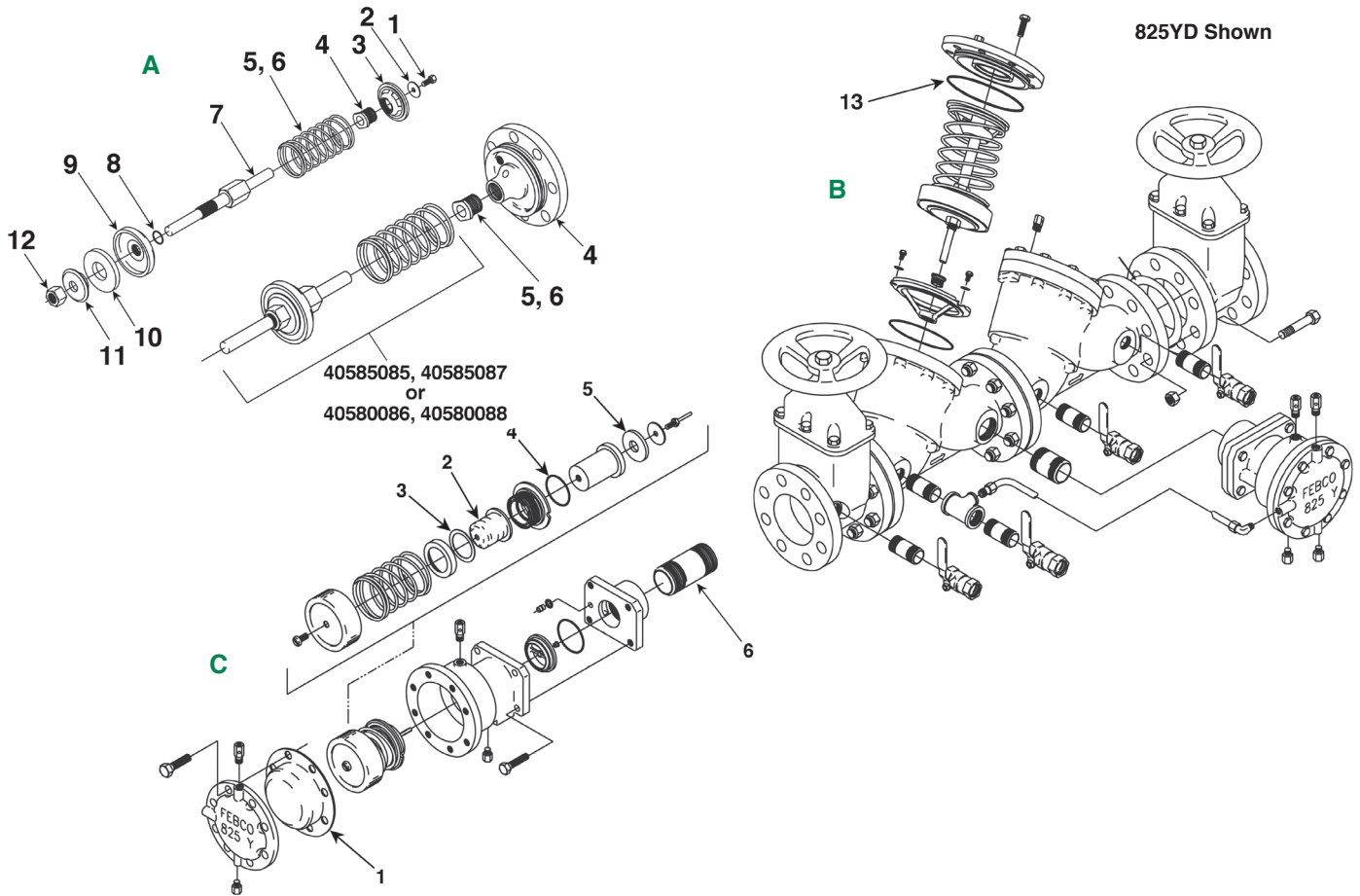
**Lead-Free Kits  
are now available!  
Please specify part  
number with "LF"  
suffix**

**TOTAL MAINTENANCE SOLUTIONS**

**FEBCO**

**A WATTS WATER TECHNOLOGIES COMPANY**

**MODELS 805YD, 806YD, 825D AND 825YD DOUBLE CHECK AND REDUCED PRESSURE  
2-1/2" – 10"**

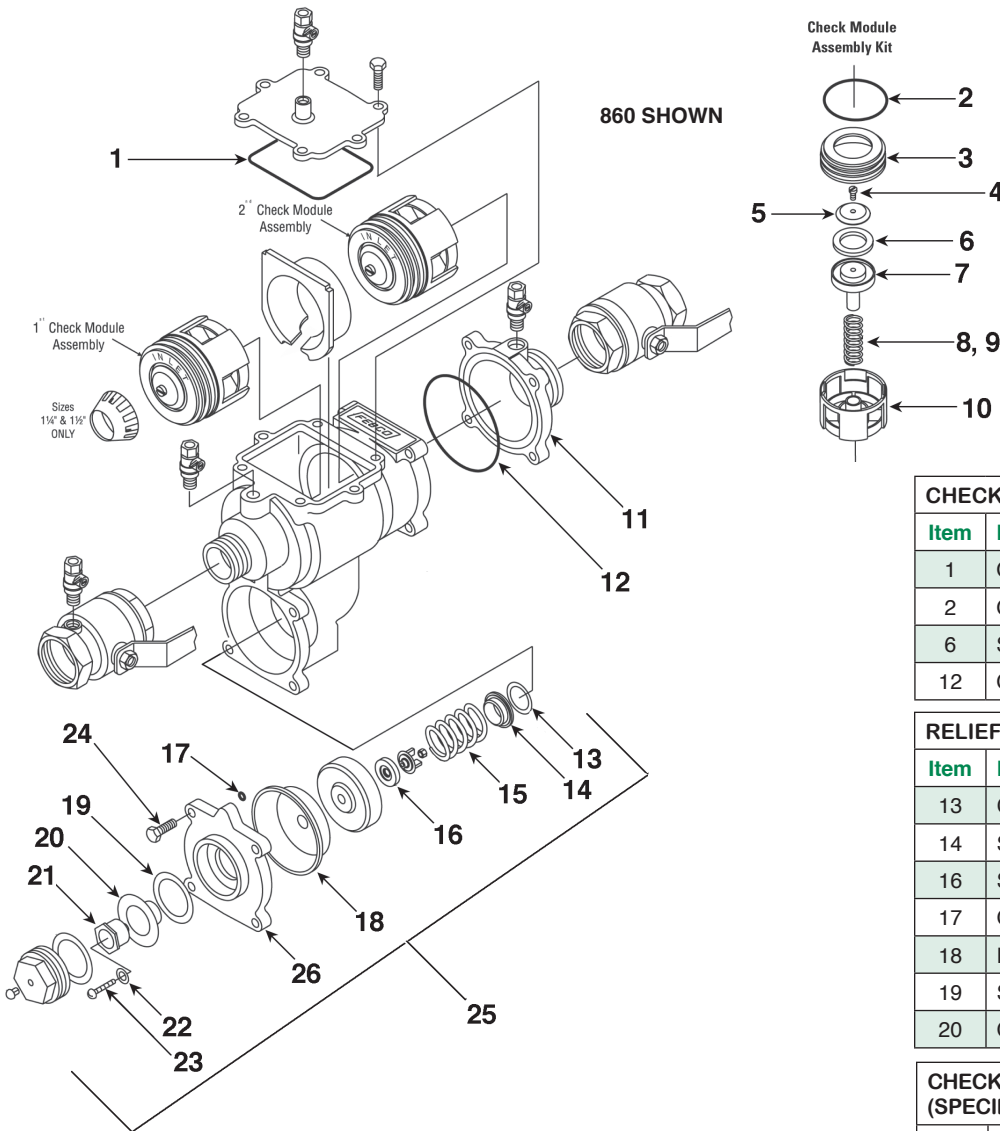


<b>ASSEMBLIES/KITS FOR MODEL 805YD, 806YD, 825D AND 825YD</b>						
<b>Description</b>	<b>2-1/2"</b>	<b>3"</b>	<b>4"</b>	<b>6"</b>	<b>8"</b>	<b>10"</b>
825D and 825YD Spring Assembly #1 Check (from Figure A includes 1, 2, 3, 4A, 6, 7, 8, 9, 10, 11, 12)	40585085	40585087	40582466	40582468	40582470	40582472
Spring Assembly #2 Check (from Figure A includes 1, 2, 3, 4A, 5, 6, 7, 8, 9, 10, 11 & 12) Check 1 & 2 805, Check 2 825	40580086	40580088	40582467	40582469	40582471	40582473
Check Rubber Parts, CI & DI Bodies (from Figure A and B includes 8, 10 and 2 of 13 – 1 Cover O-ring fits Old Style)	40581062	40581064	40581066	40581068	40581070	40581072
Relief Valve Kit for 828 and 825D (from Figure C includes items 1, 2, 5, & 6. 2 Diaphragm Washers for Model 825D also included.)	40589020	40589020	40589020	40589021	40589021	40589021
Relief Valve Rubber Kit for 825YD & 826 YD (from Figure C includes items 1, 2, 3, 4 & 5)	40585102	40585102	40585102	40585102	40585102	40585102
Seat Kit (805YD and 806YD)	40581065	40581071	40581076	40581080	40581084	40581088
Cover Assembly (805YD and 806YD)	40581067	40581073	40581077	40581081	40581085	40581089
<b>ADDITIONAL ASSEMBLIES AND KITS FOR MODEL 825YD (CALL TMS FOR MORE INFORMATION)</b>						
Large Mounting Kits, Complete Relief Valve Assembly: type YD only (all items Figure C), and Relief Valve Seat Ring Kit.						

*Lead-Free Kits  
 are now available!  
 Please specify part  
 number with "LF"  
 suffix*



**MODELS 850/860 DOUBLE CHECK AND REDUCED PRESSURE  
 1/2" – 2"**



**CHECK MODULE RUBBER KIT CONTENTS**

Item	Description	Qty.
1	O-Ring	1
2	O-Ring	2
6	Seat Disk	2
12	O-ring	1

**RELIEF VALVE RUBBER KIT CONTENTS**

Item	Description	Qty.
13	Gasket Ring – RV	1
14	Seat Ring – RV	1
16	Seat Disk – RV	1
17	O-ring – RV	1
18	Diaphragm – RV	1
19	Slip Ring Cylinder – RV	2
20	Outer Diaphragm – RV	1

**CHECK MODULE ASSEMBLY CONTENTS  
 (SPECIFY 1ST OR 2ND CHECK)**

Item	Description	Qty.
2	O-ring	1
3	Seat	1
4	Round HD Screw	1
5	Disk Retainer	1
6	Seat Disk	1
7	Poppet	1
8	Spring (First Check)	1
9	Spring (Second Check)	1
10	Guide	1

Repair Kits			
Description	Size 1/2" & 3/4"	Size 1"	Size 1-1/4" - 2"
Check Module Rubber Kit 850/860	40585342	40585343	40585344
Relief Valve Module Assembly Kit (item 25, less item 24)	40585353	40585353	40585354
860 Complete Rubber Kit	40585355	40585356	40585357
850 Check Kit	40580534	40585349	40580531
860 1st Check Kit	40585348	40585350	40585352
860 2nd Check Kit	40585347	40585349	40585351



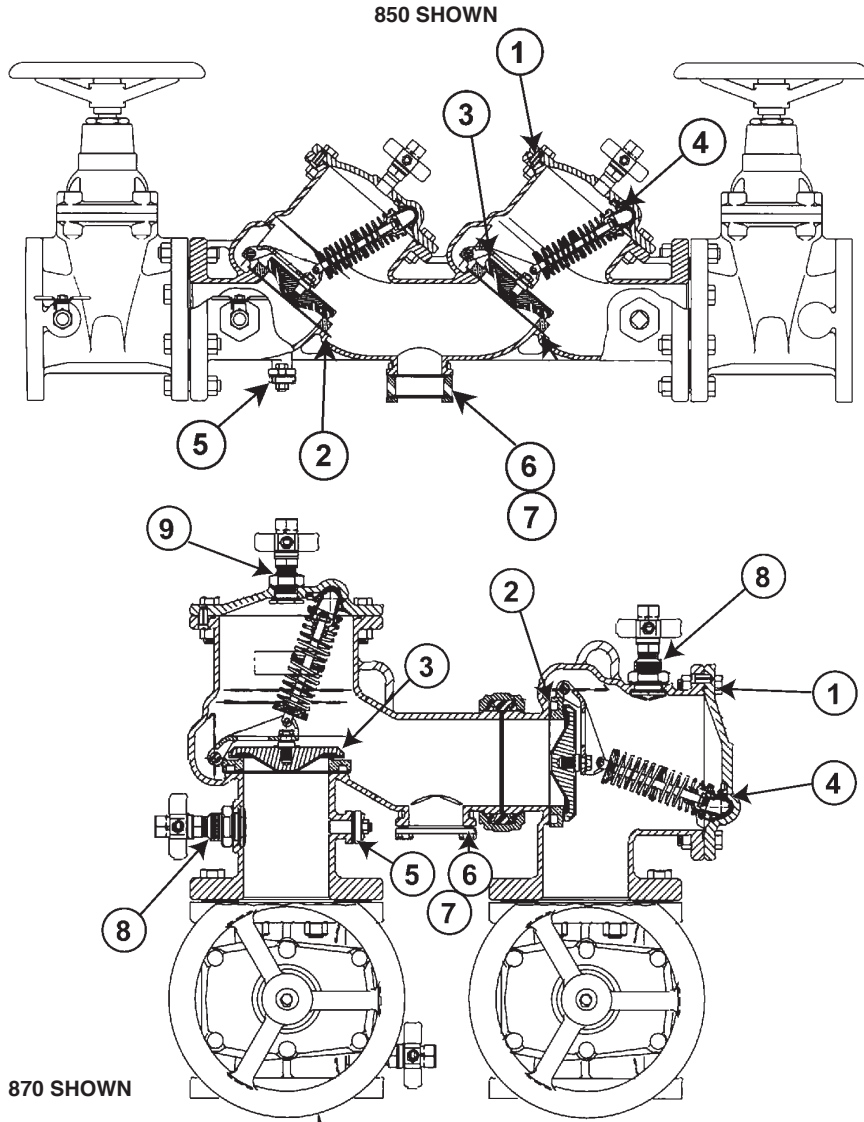


**Lead-Free Kits  
are now available!  
Please specify part  
number with "LF"  
suffix**

**MODELS 850/856, 870/870(V), 876/876V DOUBLE CHECK DETECTOR  
2-1/2" – 10"**

CHECK REPLACEMENT RUBBER KIT (850/856)	
Item	Description
1	O-Ring
2	Gasket
3	Check Disk (2-1/2" – 8")
4	Bearing Socket
5	Gasket
6	O-Ring
7	Back-up Ring
8	Gasket
9	Gasket

CHECK REPLACEMENT RUBBER KIT (870/876)	
Item	Description
1	O-Ring
2	Gasket
3	Check Disk (2-1/2" – 8")
4	Bearing Socket
5	Gasket
6	O-Ring
7	Back-up Ring
8	Gasket
9	Gasket



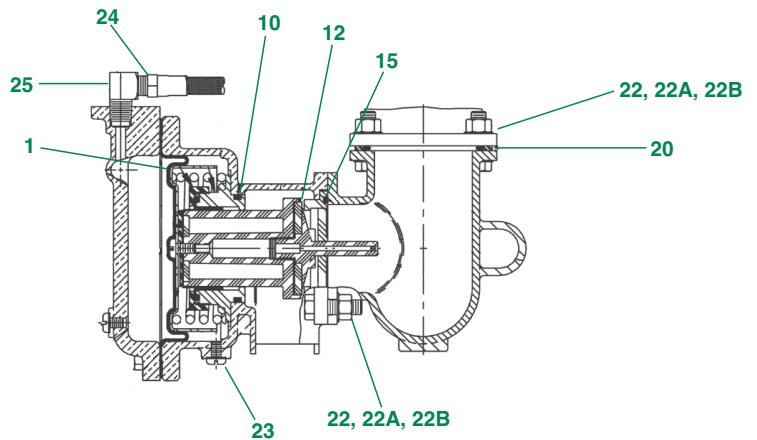
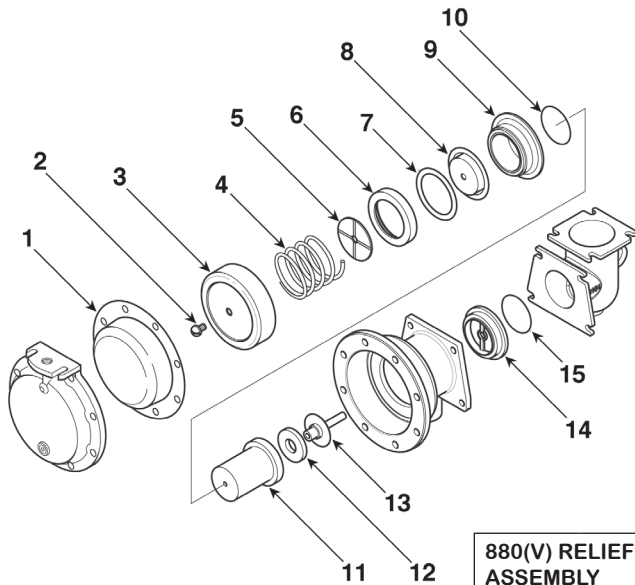
Repair Kits						
Description	Size 2-1/2"	Size 3"	Size 4"	Size 6"	Size 8"	Size 10"
850/856 Rubber Kit (1-9)	40585249	40585249	40585163	40585164	40585165	40585165
870/876 Rubber Kit (1-9)	40585162	40585162	40585163	40585164	40585165	40585166
850/870 CK1 or CK2 Module	40585142	40585142	40585143	40585144	40585145	40585146
856/876 CK1 or CK2	40585147	40585147	40585148	40585149	40585150	40585151



**Lead-Free Kits  
are now available!  
Please specify part  
number with "LF"  
suffix**



**MODELS 860/880(V) REDUCED PRESSURE RELIEF VALVE  
2-1/2" – 10"**  
(CHECK REPAIR KITS ON FOLLOWING PAGES)



860/880(V) RELIEF VALVE RUBBER KIT	
Item	Description
1	Large Diaphragm
8	Small Diaphragm
10	RV O-ring
12	RV Seat Disk
15	O-ring
21	Gasket/Strainer (see next page)

880(V) RELIEF VALVE ASSEMBLY	
Item	Description
20	O-ring (see next page)
21	Gasket/Strainer (see next page)
22, 22A, 22C	Rv Mounting Bolt/RV Washer/Nut
23	Bleed Screw
24	Sensing Line
25	Street Elbow

860 RELIEF VALVE ASSEMBLY	
Item	Description
20	O-ring/Back-up ring/Extension
21	Gasket/Strainer (see next page)
22, 22A, 22B, 22C	RV Mounting Bolt/RV Washer/Cap Screw/Nut
23	Bleed Screw

880(V) RELIEF VALVE INTERNAL ASSEMBLY KIT	
Item	Description
1	Large Diaphragm
2	Flow Screw
3	Button
4	RV Spring
5	Flow Washer
6	Retainer
7	Slip Ring
8	Small Diaphragm
9	Main Guide – RV
10	O-ring – RV
11	Stem – RV
12	Seat Disk – RV
13	Lower Guide
14	Seat Ring
15	O-ring

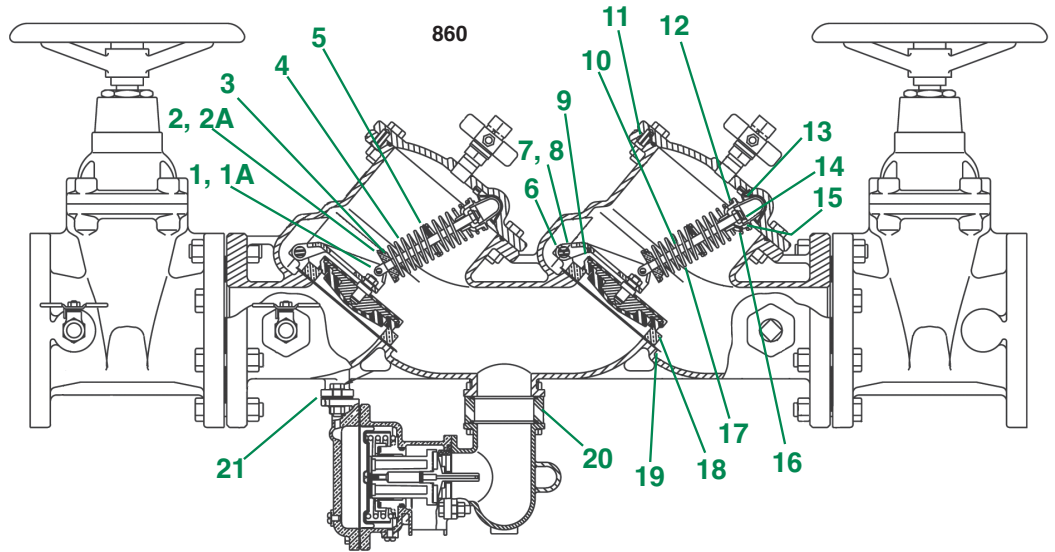
Relief Valve Repair Kits						
Description	2-1/2"	3"	4"	6"	8"	10"
860 Rubber Parts Kit for Checks and RV	40585187	40585187	40585188	40585189	40585190	40585190
880(V) Rubber Kit for Checks and RV	40585227	40585227	40585228	40585229	40585190	40585191
860 Relief Valve Assembly – Fully Assembled	40585294	40585294	40585294	40585294	40585294	40585294
880(V) Relief Valve Assembly – Fully Assembled	40585295	40585295	40585295	40585295	40585295	40585295
880(V) Relief Valve Internal Module	40585320	40585320	40585320	40585320	40585320	40585320



**Lead-Free Kits**  
are now available!  
Please specify part  
number with "LF"  
suffix

MODELS 860/880(V)  
2-1/2" – 10"

CHECK REPLACEMENT KIT	
Item	Description
1, 1A	Hex Jam Nut/Washer
2, 2A	Hairpin Cotter/Load Pin
3	Lower Spring Retainer
4	Spring 1st Check
5	Spring Guide
6	Swing Pin
7, 8	Arm/Bushing Swing Pin
9	Check Disk
10	Spring Stem
11	O-ring
12	Pivot Bearing
13	Bearing Socket
14	Elastic Stop Jam Nut
15	Spring Stem Bushing
16	Upper Spring Retainer
17	Spring 2nd Check
18	Seat Ring
19	Gasket
20	O-ring/Back-up Ring
21	Gasket/Strainer



880(V) DISK ASSEMBLY	
Item	Description
9	Check Disk
1	Hex Jam Nut
1A	Washer

860/880(V) CHECK RUBBER KIT	
Item	Description
11	O-ring
19	Gasket
9	Check Disk
13	Bearing Socket
1, 1A	Hex Jam Nut/Washer
21	Gasket/Strainer
20	Back-up Ring/Extension (860)
Not Shown	O-ring/Back-up Ring (880V)
Not Shown	Gasket (3 total)

860 DISK ASSEMBLY	
Item	Description
11	O-ring
9	Check Disk
1	Hex Jam Nut
1A	Washer

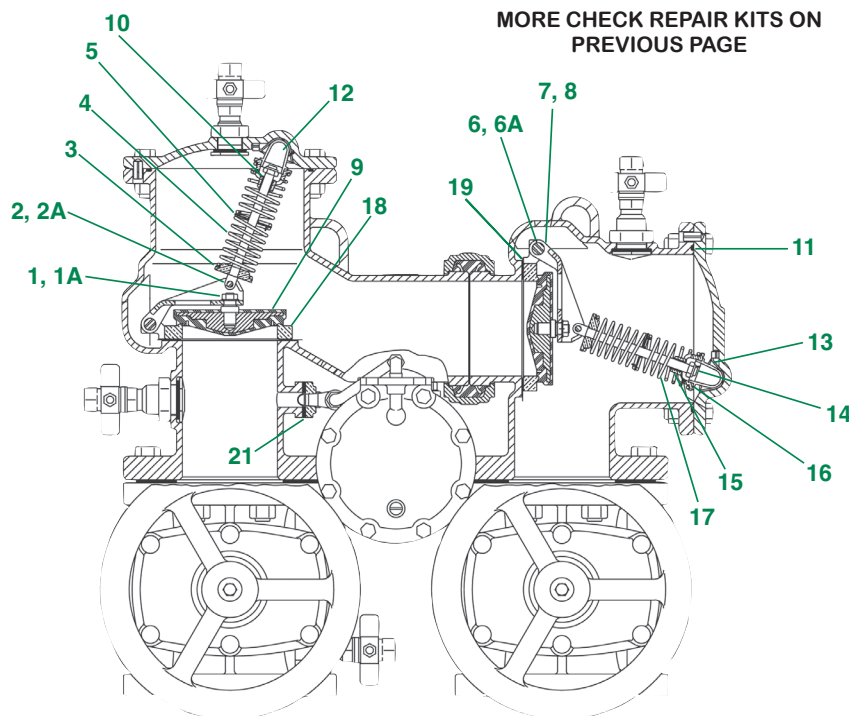
MORE CHECK REPAIR KITS ON  
NEXT PAGE

Repair Kits	Size 2-1/2"	Size 3"	Size 4"	Size 6"	Size 8"	Size 10"
Check Replacement Kit 860 (inlet)	40585543	40585543	40585546	40580555	40585554	40585554
Check Replacement Kit 860 (outlet)	40585527	40585527	40585547	40589055	40585555	40585555
Check Replacement Kit 880(V) (inlet)	40585544	40585544	40585548	40580551	40580554	40580556
Check Replacement Kit 880(V) (outlet)	40585545	40585545	40585549	40589053	40585555	40585557
860 Check Disk Assembly	40585345	40585345	40585346	40585184	40585348	40585348
880(V) Disk Assembly	40580522	40580522	40585225	40585226	40585348	40580014
860 Check Rubber Kit	40585409	40585409	40585410	40585411	40585412	40585412
880(V) Check Rubber Kit	40585413	40585413	40585414	40585415	40585412	40585416

*Lead-Free Kits  
 are now available!  
 Please specify part  
 number with "LF"  
 suffix*



MODELS 860/880(V)  
 2-1/2" – 10"  
 (CONTINUED)



MORE CHECK REPAIR KITS ON  
 PREVIOUS PAGE

860/880V RP INLET SPRING MODULE	
Item	Description
2, 2A	Hairpin Cotter/Load Pin
3	Lower Spring Retainer
5	Spring Guide
10	Spring Stem
11	O-ring
14	Elastic Stop Jam Nut
15	Spring Stem Bushing
16	Upper Spring Retainer
17	Spring 2nd Check
Not Shown	Spring Shim 2nd Check (8" only)

860/880(V) RUBBER PARTS KIT (CHECKS AND RV)	
Item	Description
11	O-ring
19	Gasket
9	Check Disk
1, 1A	Hex Jam Nut/Washer
Not Shown	Back-up Ring/Extension (860)
Not Shown	O-ring/Back-up Ring (880V)
21	Gasket/Strainer
Not Shown	Gasket (3 total)

SEAT RING/ARM ASSEMBLY	
Item	Description
18	Seat Ring
19	Gasket
Not Shown	Socket Head Screw
Not Shown	Elastic Stop Nut
7	Arm
8	Bushing Swing Pin
6	Swing Pin
6A	Retaining Clip

860/880V RP OUTLET SPRING MODULE	
Item	Description
2, 2A	Hairpin Cotter/Load Pin
3	Lower Spring Retainer
4	Spring 1st Check
5	Spring Guide
11	O-ring
14	Elastic Stop Jam Nut
15	Spring Stem Bushing
16	Upper Spring Retainer

The following items are from page 27:

1	Large Diaphragm
10	RV O-ring
12	Seat Disk
15	Seat Ring

Check Repair Kits (Checks and RV)						
Description	Size 2-1/2"	Size 3"	Size 4"	Size 6"	Size 8"	Size 10"
860/880(V) RP Inlet Spring Module	40585172	40585172	40585173	40585174	40585175	40585176 (880) 40585175 (860)
860/880(V) RP Outlet Spring Module	40585142	40585142	40585143	40585144	40585145	40585145 (860) 40585146 (880)
Seat Ring/Arm Assembly	40585157	40585157	40585158	40585159	40585160	40585160 (860) 40585161 (880)
860 Rubber Parts Kit for Checks and RV	40585187	40585187	40585188	40585189	40585190	40585190
880(V) Rubber Parts Kit for Checks and RV	40585227	40585227	40585228	40585229	40585190	40585191

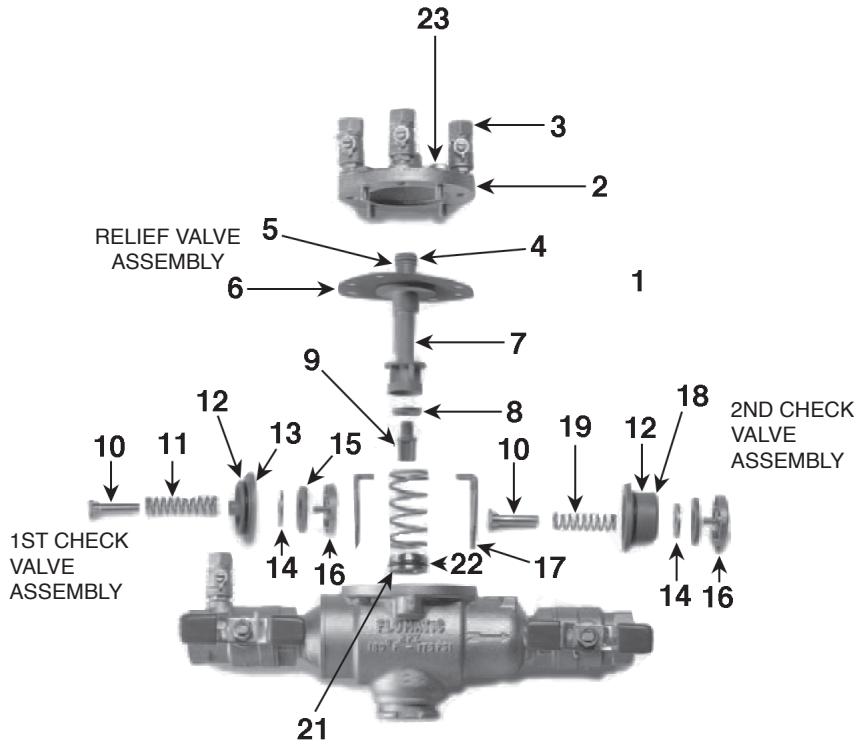


**Lead-Free Kits  
are now available!**  
Please specify part  
number with "LF"  
suffix

TOTAL MAINTENANCE SOLUTIONS

**FLOMATIC**  
BY DANFOSS

RPZ 3/4" – 2" & RPZII REDUCED PRESSURE ZONE  
1/2", 3/4", 1-1/2"



COMPLETE RELIEF VALVE REPAIR KIT CONTENTS		
Item #	Description	Qty.
4	Relief Valve Piston	1
5	Relief Valve Piston Ring	1
6	Relief Valve Diaphragm	1
7	Relief Valve Stem	1
8	Relief Valve Disk	1
9	Relief Valve Disk Retainer	1
20	RV Spring	1
21	RV O-Ring	1
22	RV O-Ring	1

RUBBER REPAIR KIT CONTENTS		
Item #	Description	Qty.
5	Relief Valve Piston Ring	1
6	Relief Valve Diaphragm	1
8	Relief Valve Disk	1
12	1st & 2nd CV O-Ring	2
15	1st & 2nd CV Disk	2
22	RV O-Ring	1

1ST CHECK REPAIR KIT CONTENTS		
Item #	Description	Qty.
10	1st & 2nd CV Stem	1
11	1st CV Spring	1
12	1st CV O-Ring	1
13	1st CV Seat Ring	1
14	1st & 2nd CV Washer	1
15	1st & 2nd CV Disk	1
16	1st & 2nd Disk Holder	1
17	1st & 2nd CV Spring Clip	1

2ND CHECK REPAIR KIT CONTENTS		
Item #	Description	Qty.
10	1st & 2nd CV Stem	1
12	1st CV O-Ring	1
14	1st & 2nd CV Washer	1
15	1st & 2nd CV Disk	1
16	1st & 2nd Disk Holder	1
17	1st & 2nd CV Spring Clip	1
18	2nd CV Seat Ring	1
19	2nd CV Spring	1

**Repair Kits**

Description	RPZII	RPZE	RPZII	RPZE	RPZ & RPZE
	Size 1/2" – 3/4"	Size 3/4" & 1"	Size 1-1/2"	Size 1-1/4"	Size 1-1/2"-2"
1st Check Repair Kit	40589878	40589848	40588783	40589847	40588483
2nd Check Repair Kit	40589879	40589849	40589893	40588492	40588493
Relief Valve Complete Repair Kit	40589880	40589850	40589881	40589852	40588505
Rubber Kit Repair Kit	40589399	40589200	40589303	40589202	40589203

TOTAL MAINTENANCE SOLUTIONS  
**FLOMATIC**  
 BY DANFOSS

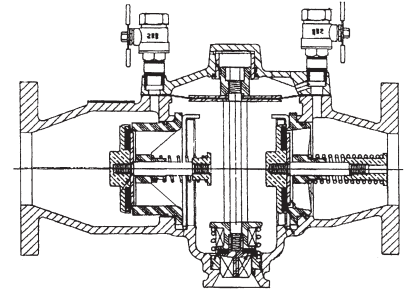
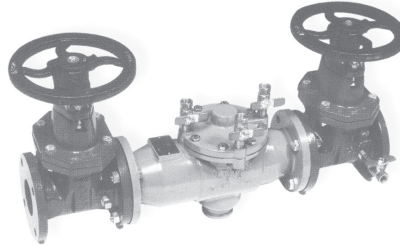
Lead-Free Kits  
 are now available!  
 Please specify part  
 number with "LF"  
 suffix



RPZ REDUCED PRESSURE ZONE  
 2-1/2" – 8"

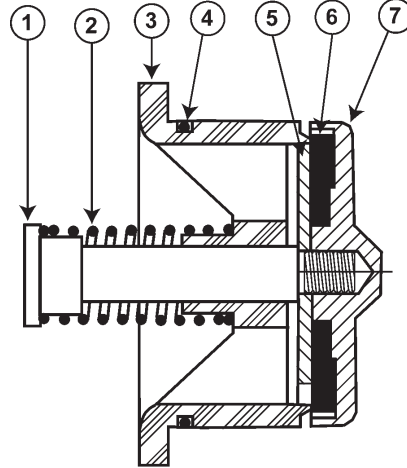
1ST CHECK VALVE REPAIR KIT CONTENTS

Item #	Description	Qty.
1	C.V. Stem	1
2	C.V. Spring	1
3	1st C.V. Seat Ring (Not Shown)	1
4	C.V. O-Ring	1
5	C.V. Disk Retainer	1
6	C.V. Disk	1
7	C.V. Disk Holder	1

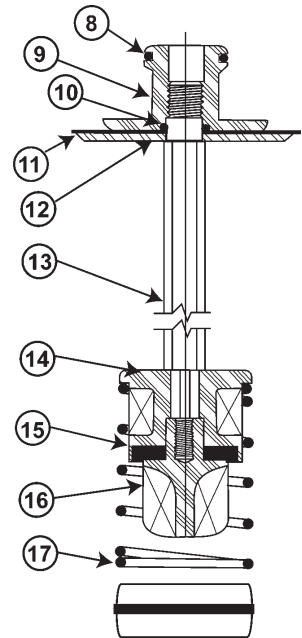


2ND CHECK VALVE REPAIR KIT CONTENTS

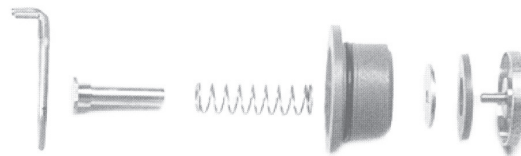
Item #	Description	Qty.
1	C.V. Stem	1
2	C.V. Spring	1
3	2nd C.V. Seat Ring	1
4	C.V. O-Ring	1
5	C.V. Disk Retainer	1
6	C.V. Disk	1
7	C.V. Disk Holder	1



Not Shown to Scale



RELIEF  
 VALVE  
 ASSEMBLY



2nd CHECK VALVE ASSEMBLY

RELIEF VALVE REPAIR KIT CONTENTS

Item #	Description	Qty.
8	Piston O-ring	1
9	R.V. Piston	1
10	R.V. Stem O-Ring	1
11	R.V. Diaphragm	1
12	R.V. Diaphragm Plate	1
13	R.V. Stem	1
14	R.V. Disk Holder	1
15	R.V. Disk	1
16	R.V. Disk Retainer	1
17	R.V. Spring	1

RUBBER REPAIR KIT CONTENTS

Description	Qty.
Relief Valve O-ring	1
Relief Valve Diaphragm	1
Relief Valve Disk	1
1st & 2nd CV O-Ring	2
1st & 2nd CV Disk	2
RV O-Ring	1

Repair Kits	Size 2-1/2" & 3"	Size 4"	Size 6"	Size 8"
1st Check	40588485	40588487	40588489	40584810
2nd Check	40588495	40588497	40588499	40584910
Relief Valve	40588506	40588507	40588509	40588510
Rubber Kit	40589205	40589207	40589209	40589210



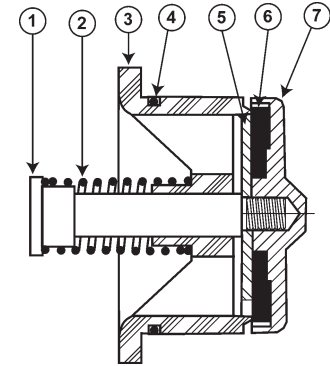


**Lead-Free Kits  
are now available!**  
Please specify part  
number with "LF"  
suffix

TOTAL MAINTENANCE SOLUTIONS

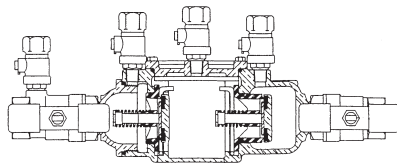
**FLOMATIC**  
BY DANFOSS

DCV, DCVE DOUBLE CHECK  
3/4" - 2"



2ND CHECK VALVE REPAIR KIT CONTENTS		
Item #	Description	Qty.
1	C.V. Stem	1
2	C.V. Spring	1
3	2nd C.V. Seat Ring	1
4	C.V. O-Ring	1
5	C.V. Disk Retainer	1
6	C.V. Disk	1
7	C.V. Disk Holder	1

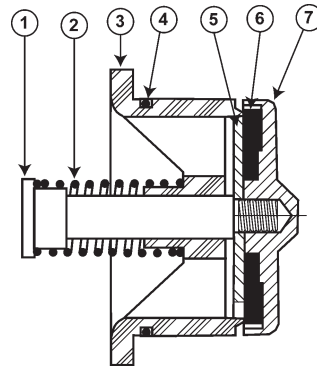
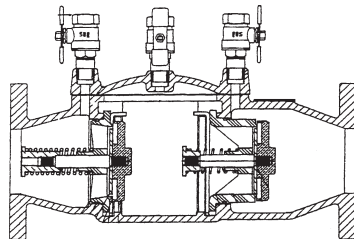
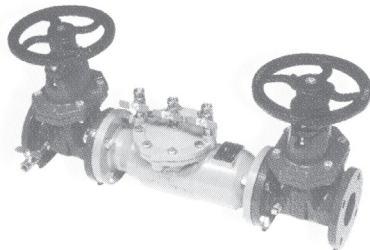
1ST CHECK VALVE REPAIR KIT CONTENTS		
Item #	Description	Qty.
1	C.V. Stem	1
2	C.V. Spring	1
3	1st C.V. Seat Ring (Not Shown)	1
4	C.V. O-Ring	1
5	C.V. Disk Retainer	1
6	C.V. Disk	1
7	C.V. Disk Holder	1



RUBBER REPAIR KIT CONTENTS	
Description	Qty.
1st & 2nd C.V. O-Ring	2
1st & 2nd C.V. Disk	2

Repair Kits		
Description	Size 3/4" - 1"	Size 1-1/2" - 2"
1st Check Assembly	40588484	40588553
2nd Check Assembly	40588490	40588493
Rubber Kit	40589100	40589103

DCV DOUBLE CHECK  
2-1/2" - 8"



RUBBER REPAIR KIT CONTENTS	
Description	Qty.
1st & 2nd C.V. O-Ring (#4)	2
1st & 2nd C.V. Disk (#6)	2

1ST CHECK VALVE REPAIR KIT CONTENTS		
Item #	Description	Qty.
1	C.V. Stem	1
2	C.V. Spring	1
3	1st C.V. Seat Ring (Not Shown)	1
4	C.V. O-Ring	1
5	C.V. Disk Retainer	1
6	C.V. Disk	1
7	C.V. Disk Holder	1

2ND CHECK VALVE REPAIR KIT CONTENTS		
Item #	Description	Qty.
1	C.V. Stem	1
2	C.V. Spring	1
3	2nd C.V. Seat Ring	1
4	C.V. O-Ring	1
5	C.V. Disk Retainer	1
6	C.V. Disk	1
7	C.V. Disk Holder	1

Repair Kits				
Description	Size 2-1/2" - 3"	Size 4"	Size 6"	Size 8"
1st Check Valve Assembly	40588555	40588557	40589558	40588500
2nd Check Valve Assembly	40588495	40588497	40588499	40584910
Rubber Repair Kit	40589105	40589107	40589109	40589110

*Lead-Free Kits  
are now available!  
Please specify part  
number with "LF"  
suffix*



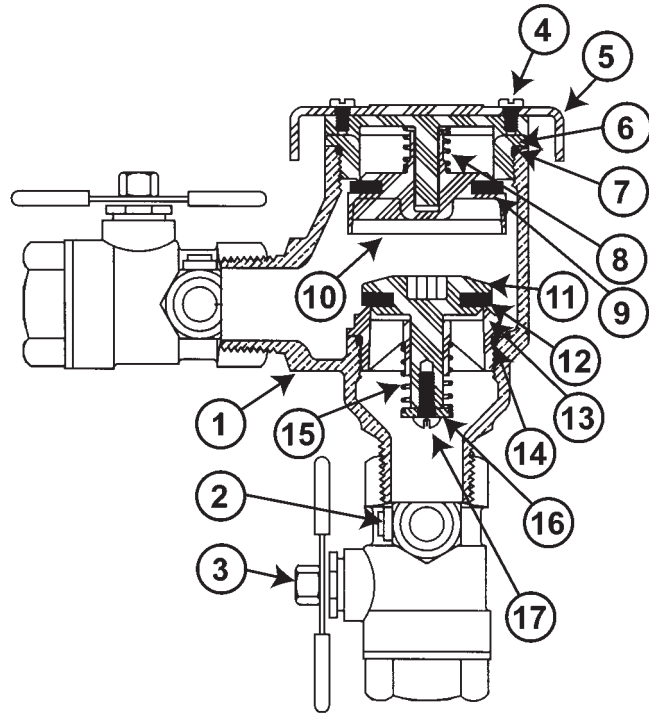
**PVB B9500 & B9501 PRESSURE VACUUM BREAKER  
3/4" – 1"**

CHECK VALVE ASSEMBLY REPAIR KIT CONTENTS		
Item #	Description	Qty.
11	Check Valve Disk Holder	1
12	Check Valve Disk	1
13	Check Valve Seat Ring	1
14	Check Valve Seat O-Ring	1
15	Check Valve Spring	1
16	Check Valve Spring Retainer	1
17	#8-32 x 1/2 RHSTCS	1

AIR VENT ASSEMBLY REPAIR KIT CONTENTS		
Item #	Description	Qty.
5	Vent Canopy	1
6	Bonnet	1
7	Bonnet O-Ring	1
8	Vent Spring	1
9	Vent Disk	1
10	Vent Disk Holder	1
	Screws	2

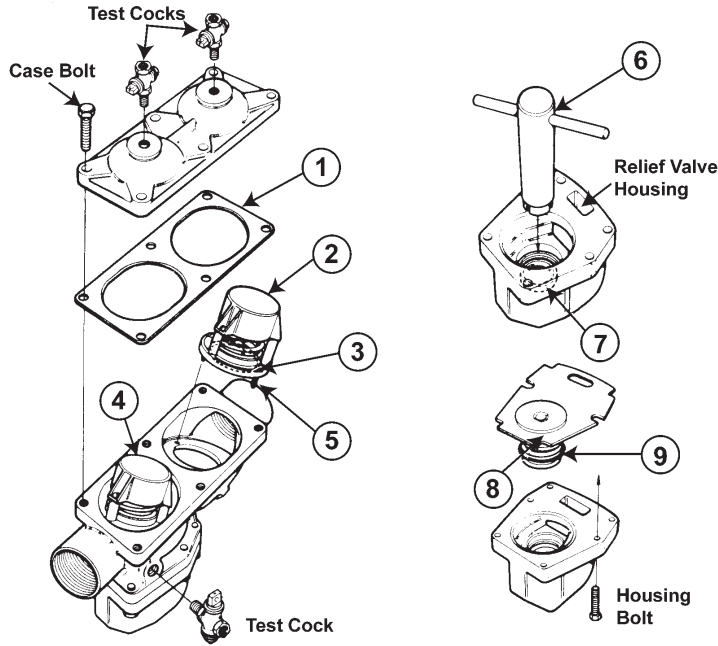
RUBBER REPAIR KIT CONTENTS		
Item #	Description	Qty.
7	Bonnet O-Ring	1
14	Check Valve Seat O-Ring	1
9	Vent Disk	1
12	Check Valve Disk	1

Repair Kits	
Description	Size 3/4" – 1"
Check Valve Assembly	40589598
Air Vent Assembly	40589599
Rubber Repair Kit	40589500

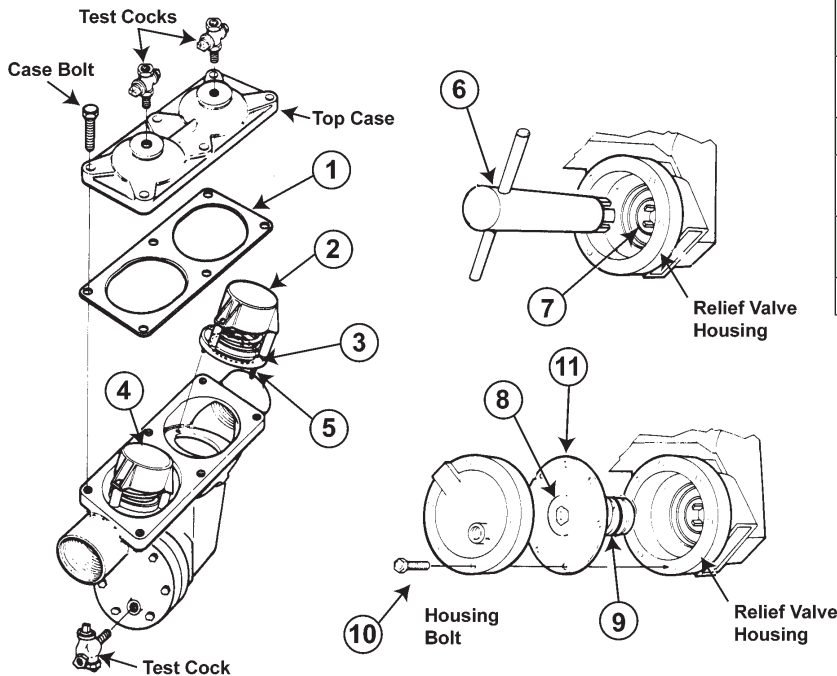




**FRP I & II REDUCED PRESSURE BACKFLOW PREVENTER  
3/4" – 1"**



**FRP I 3/4" – 1"**



**FRP II 3/4" – 1"**

Item #	Description
1	Case Gasket
2	Second Check Valve Assembly
3	Check Valve O-Ring
4	First Check Valve Assembly
5	Mounting Screws
6	Relief Valve Seat Wrench
7	Relief Valve Seat
8	Relief Valve Assembly
9	Relief Valve O-Ring
10	Relief Valve Housing Bolt
11	Diaphragm (included w/ item 8)

Repair Kits	
Description	Part #
Complete Valve Kit FRP I 3/4" – 1" (Items 1-5, 8 & 9)	40581002
Complete Valve Kit FRP II 3/4" – 1" (Items 1-5, 8 & 9)	40581004
First Check Valve Kit FRP I & II 3/4" – 1" (Items 1, 3, 4 & 5)	40581005
Second Check Valve Kit FRP I & II 3/4" – 1" (Items 1, 2, 3 & 5)	40581016
Relief Valve Kit FRP I 3/4" & 1" (Items 8 & 9)	40581022
Relief Valve Kit FRP II 3/4" & 1" (Items 8 & 9)	40581024
Relief Valve Installation Kit FRP I & II 3/4" – 1" (Items 6 & 7)	40581028
Total Rubber Kit FRP II 3/4" - 1"	40585668

Lead-Free Kits  
are now available!  
Please specify part  
number with "LF"  
suffix

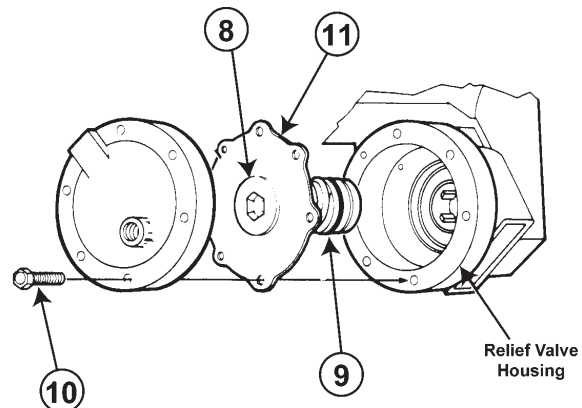
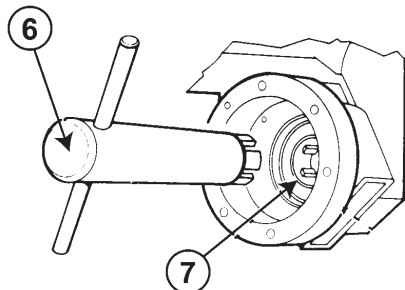
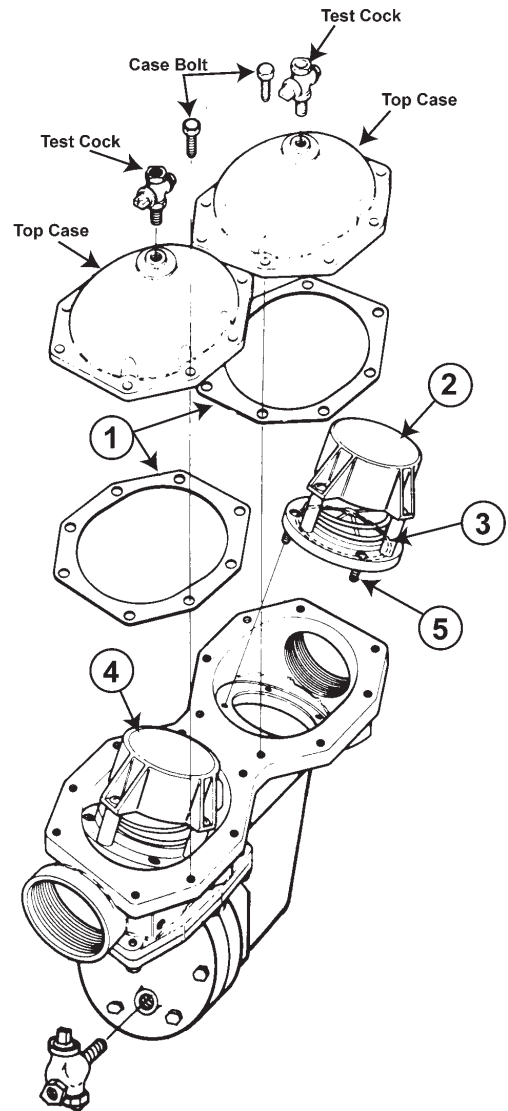


## FRP II REDUCED PRESSURE BACKFLOW PREVENTER

1-1/4" – 2"

Item #	Description
1	Case Gasket
2	Second Check Valve Assembly
3	Check Valve O-Ring
4	First Check Valve Assembly
5	Mounting Screws
6	Relief Valve Seat Wrench
7	Relief Valve Seat
8	Relief Valve Assembly
9	Relief Valve O-Ring
10	Relief Valve Housing Bolt
11	Diaphragm (included w/ item 8)

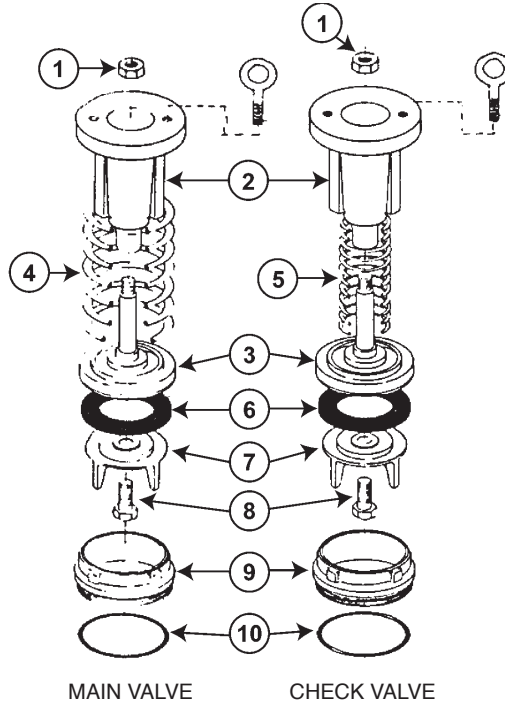
Repair Kits	
Description	Part #
Complete Valve Kit FRP II 1-1/4" – 1-1/2" (Items 1-5, 8 & 9)	40581006
Complete Valve Kit FRP II 2" (Items 1-5, 8 & 9)	40581008
First Check Valve Kit FRP II 1-1/4" – 1-1/2" (Items 1, 3, 4 & 5)	40581012
First Check Valve Kit FRP II 2" (Items 1, 3, 4 & 5)	40581014
Second Check Valve Kit FRP II 1-1/4" – 1-1/2" (Items 1, 2, 3 & 5)	40581018
Second Check Valve Kit FRP II 2" (Items 1, 2, 3 & 5)	40581019
Relief Valve Kit FRP II 1-1/4" – 2" (Items 8 & 9)	40581026
Relief Valve Installation Kit FRP II 1-1/4" – 2" (Items 6 & 7)	40581029
Total Rubber Kit FRP II 1-1/4" – 2"	40585669
Total Rubber Kit FRP II – 2"	40585670





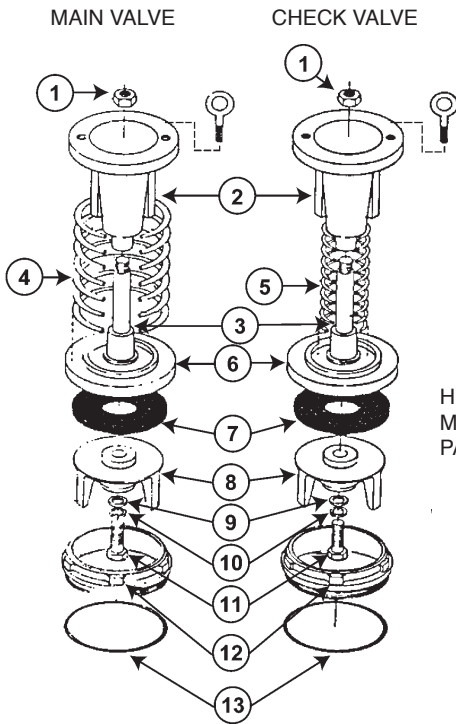
**Lead-Free Kits**  
are now available!  
Please specify part  
number with "LF"  
suffix

HERSEY 6CM MAIN  
VALVE PARTS 2-1/2" – 6"



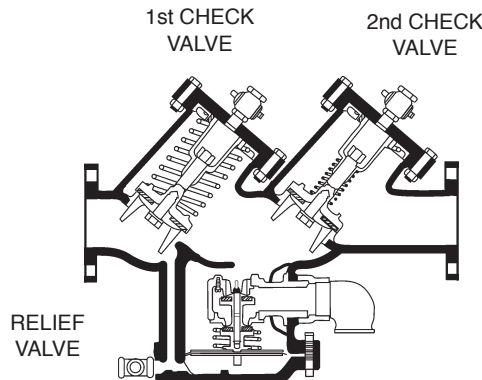
HERSEY 6CM MAIN VALVE &  
CHECK VALVE ASSEMBLY  
2-1/2" – 10"

2-1/2" – 6"	
Item #	Description
1	Spring Retainer Nut
2	Spring Retainer
3	Disk Holder
4	Comp. Spring – MV
5	Comp. Spring – CV
6	Disk
7	Guide
8	Cap Screw
9	Seat Ring
10	Seat Ring Seal



HERSEY 6CM  
MAIN VALVE  
PARTS 8" & 10"

8" & 10"	
Item #	Description
1	Spring Retainer Nut
2	Spring Retainer
3	Stem
4	Comp. Spring – MV
5	Comp. Spring – CV
6	Disk Holder
7	Disk
8	Guide
9	Guide Washer
10	Lockwasher
11	Cap Screw
12	Seat Ring
13	Seat Ring Seal



**Check Valve Repair Parts**

Description	Size 2-1/2"	Size 3"	Size 4"	Size 6"	Size 8"	Size 10"
Check Valve Rubber Parts Kit 3" – 6" Includes 6 (2), 10 (2)	(1)	40581036	40581038	40581039		
Check Valve Rubber Parts Kit 8" & 10" Includes 7 (2), 13 (2)					40581042	40581044

(1) Order Complete Rubber Parts Kit (see next page)

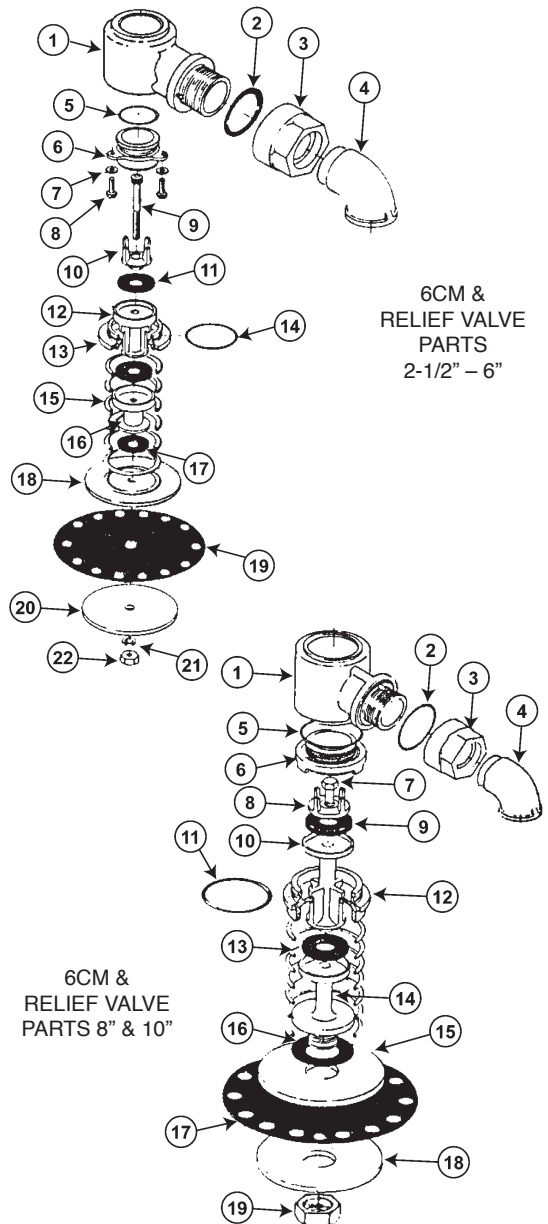
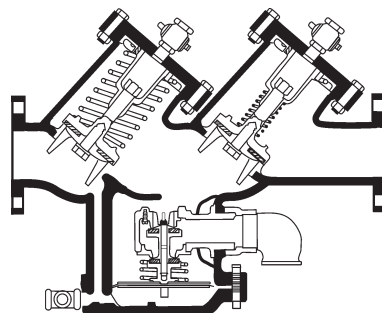
**Lead-Free Kits**  
are now available!  
Please specify part  
number with "LF"  
suffix



## 6CM RELIEF VALVE ASSEMBLY 2-1/2" – 10"

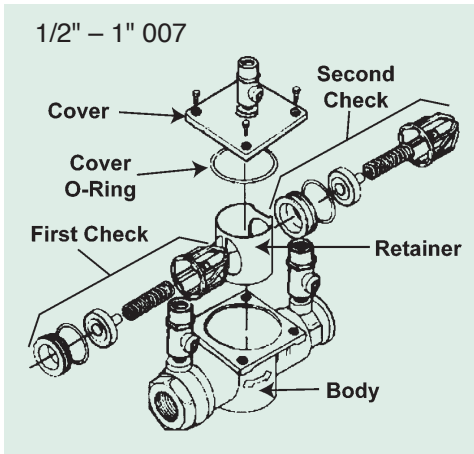
6CM RELIEF VALVE PARTS 2-1/2" – 6"	
Item #	Description
1	Relief Valve Housing
2	Relief Valve Housing Gasket
3	Relief Valve Housing Nut
4	Relief Valve Outlet
5	Upper Seat Seal
6	Upper Seat
7	Washer
8	Upper Seat Screw
9	Socket Screw
10	Upper Seat Guide
11	Disk (Upper & Lower)
12	Upper Stem
13	Lower Seat
14	Lower Seat Seal
15	Compression Ring
16	Lower Stem
17	Diaphragm Plate Gasket
18	Upper Diaphragm Plate
19	Diaphragm
20	Lower Diaphragm Plate
21	Lockwasher
22	Clamp Nut

6CM RELIEF VALVE PARTS 8" & 10"	
Item #	Description
1	Relief Valve Housing
2	Relief Valve Housing Gasket
3	Relief Valve Housing Nut
4	Relief Valve Outlet
5	Upper Seat Seal
6	Upper Seat
7	Cap Screw
8	Guide
9	Disk (Upper & Lower)
10	Upper Spacer
11	Lower Seat Seal
12	Lower Seat
13	Compression Ring
14	Lower Spacer
15	Upper Diaphragm Plate
16	Diaphragm Plate Gasket
17	Diaphragm
18	Lower Diaphragm Plate
19	Clamp Nut

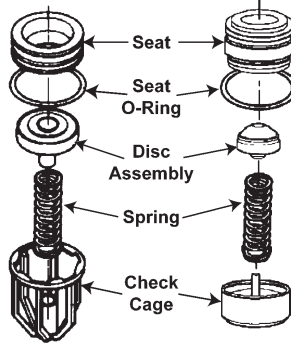


6CM COMPLETE RUBBER PARTS KIT						
Description	Size 2-1/2"	Size 3"	Size 4"	Size 6"	Size 8"	Size 10"
Complete Rubber Parts Kit Includes Relief Valve Items 2, 5, 11 (2), 14, 17, 19 & Check Valve Items 6 (2), 10 (2) and Cover Gasket (2)	40581046	40581048	40581050	40581052		
Complete Rubber Parts Kit Includes Relief Valve Items 2, 5, 9 (2), 11, 16, 17 & Check Valve Items 7 (2), 13 (2), and Cover Gasket (2)					40581054	40581056

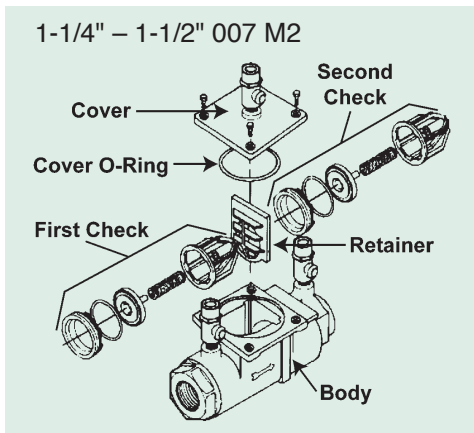
**SERIES 007 DOUBLE CHECK VALVE  
1/2"-2"**



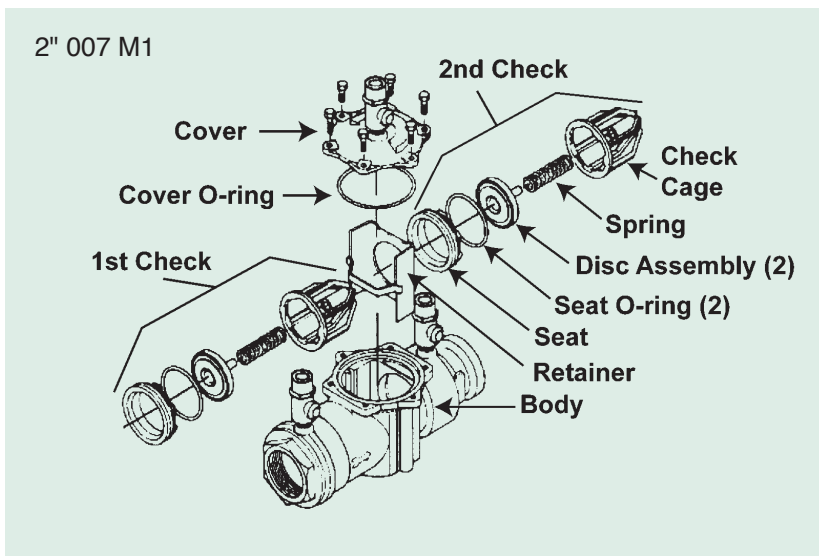
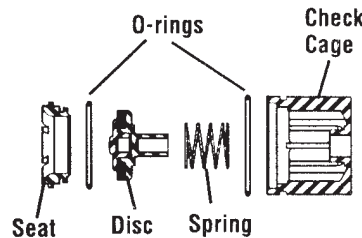
**007 Check Assembly**



**Note:** Rubber disk can be replaced. However, disk holder and disk retainer are permanently bonded to prevent failure.



**3/4" 007M3 Check Assembly**



CHECK KITS: FIRST OR SECOND CHECK		
Part #	Kit #	Size
40587193	RK 007 CK4	1/2"
40587026	RK 007M1 CK 4	3/4" - 1"

FIRST CHECK KITS		
Part #	Kit #	Size
40587037	RK 007M2 CK1	3/4"
40588550	RK 007M3 CK1	3/4"
40587023	RK 007 CK1	3/4" - 1"
40587186	RK 007M1 CK1	1-1/2" - 2"
40587719	RK 007M2 CK1	1-1/4" - 1-1/2"

SECOND CHECK KITS		
Part #	Kit #	Size
40588870	RK 007M2 CK2	3/4"
40587024	RK 007 CK2	3/4" - 1"
40588551	RK 007M3 CK2	3/4"
40587187	RK 007M1 CK2	1-1/2" - 2"
40587720	RK 007M2 CK2	1-1/4" - 1-1/2"

Check Kit contains seat, seat o-ring, disk assembly, spring, check cage, cover o-ring.

COMPLETE RUBBER PARTS KITS		
Part #	Kit #	Size
40587194	RK 007 RT	1/2"
40587043	RK 007M2 RT	3/4"
40588552	RK 007M3 RT	3/4"
40587040	RK 007 RT	3/4 - 1"
40587042	RK 007M1 RT	3/4" - 1"
40587041	RK 007 RT	1-1/2" - 2"
40587188	RK 007M1 RT	1-1/2" - 2"
40587721	RK 007M2 RT	1-1/4" - 1-1/2"

Kit contains cover o-ring, two disk assemblies and two seat o-rings.

RETAINER		
Part #	Kit #	Size
40587053	007	1/4" - 1/2"
40587382	007M1	3/4 - 1"
40587394	007M2/M3	3/4"
40587001	007	1 1/2 - 2"
40587112	007M1	1 1/2 - 2"
40587099	007M2	1 1/4 - 2"

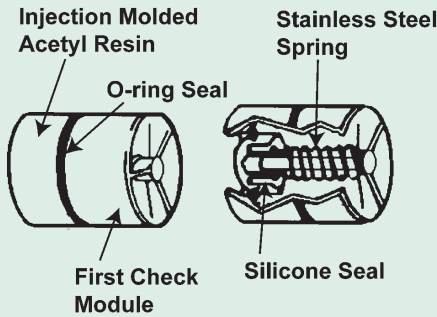


*Lead-Free Kits  
 are now available!  
 Please specify part  
 number with "LF"  
 suffix*

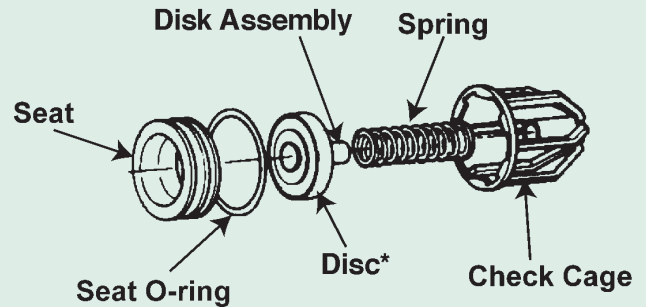


**SERIES 009 REDUCED PRESSURE ZONE  
 1/4" – 2"**

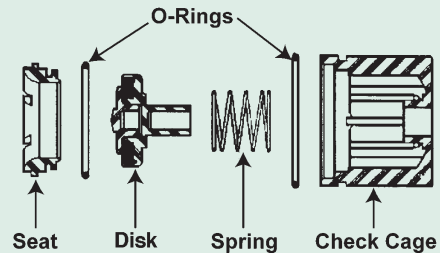
**CHECK ASSEMBLY 1/2"**



**CHECK ASSEMBLY 1"-2"**



**CHECK ASSEMBLY 3/4" M3**



FIRST CHECK KITS (1/4" – 1")		
Part #	Kit #	Size
40587291	RK 009 CK1	1/4"-1/2"
40588520	RK 009 M3 CK1	3/4"
40587005	RK 009 CK1	3/4" – 1"
40587789	RK 009 M2 CK1	1"

Kit contains check assembly and cover o-ring.

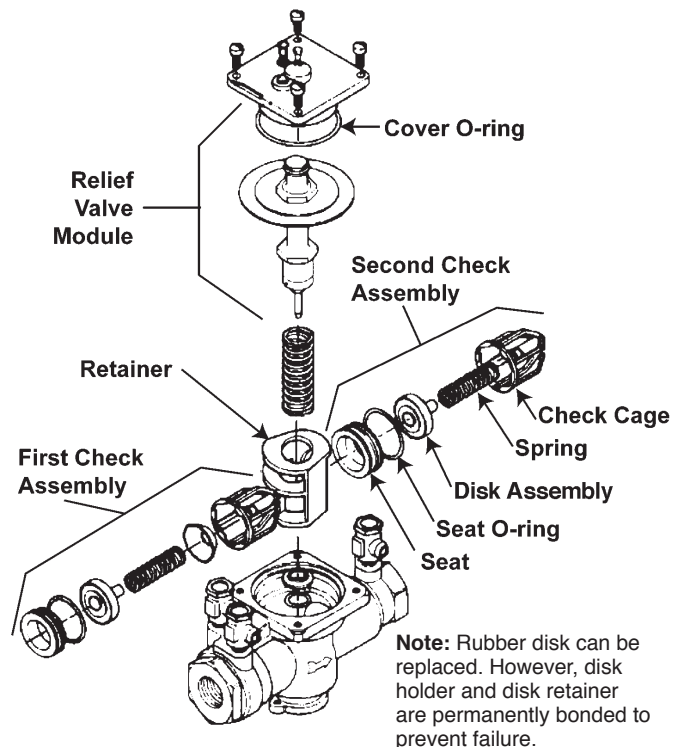
SECOND CHECK KITS (1/4" – 1")		
Part #	Kit #	Size
40587292	RK 009 CK2	1/4" – 1/2"
40588521	RK 009 M3 CK2	3/4"
40587007	RK 009 CK2	3/4" – 1"
40587790	RK 009M2 CK2	1"

Kit contains check assembly and cover o-ring.

FIRST CHECK KITS (1-1/4" – 2")		
Part #	Kit #	Size
40587300	RK 009M2 CK1	1-1/4" – 1-1/2"
40587270	RK 009M1 CK1	1-1/4" – 2"
40587006	RK 009 CK1	1-1/4" – 2"
40587540	RK 009M2 CK1	2"

SECOND CHECK KITS (1-1/4" – 2")		
Part #	Kit #	Size
40587301	RK 009M2 CK2	1-1/4" – 1-1/2"
40587271	RK 009M1 CK2	1-1/4" – 2"
40587008	RK 009 CK2	1-1/4" – 2"
40587541	RK 009M2 CK2	2"

Check Kits contain check assembly, cover o-ring and sensing passage o-ring.





**Lead-Free Kits  
are now available!  
Please specify part  
number with "LF"  
suffix**

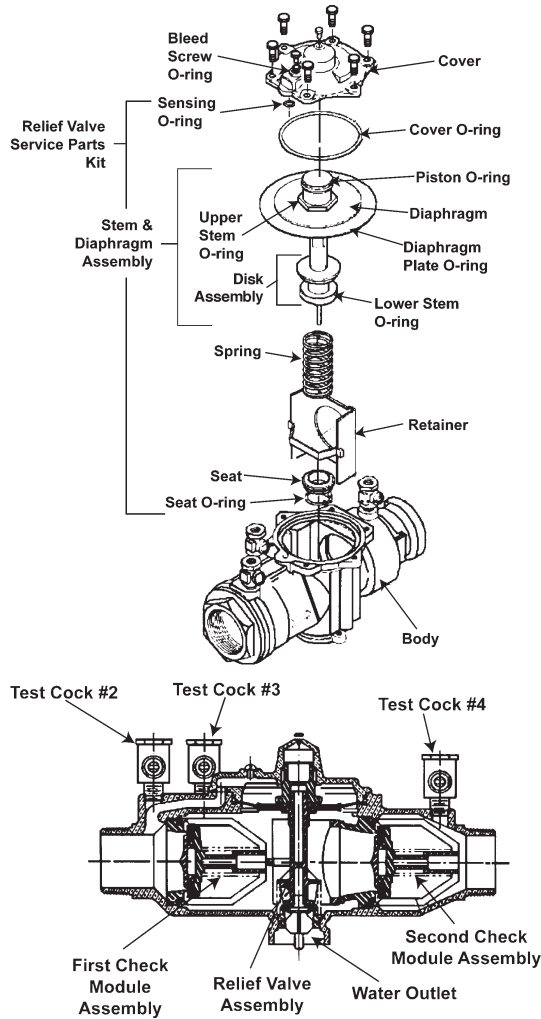
**TOTAL MAINTENANCE SOLUTIONS**

**WATTS**

**A WATTS WATER TECHNOLOGIES COMPANY**

**SERIES 009 REDUCED PRESSURE ZONE**

**1/4" – 2"**



RELIEF VALVE KITS (1/4" – 1")		
Part #	Kit #	Size
40587294	RK 009 VT	1/4" – 1/2"
40587002	RK 009M2 VT	3/4"
40588524	RK 009M3 VT	3/4"
40587015	RK 009 VT	3/4" – 1"
40587785	RK 009M2 VT	1"

Kit contains seat, seat o-ring, stem & diaphragm assembly, stem o-ring, cover o-ring and RV spring.

RELIEF VALVE RUBBER PARTS KITS (1/4" – 1")		
40587295	RK 009 RV	1/4" – 1/2"
40586998	RK009M2 RV	3/4"
40588523	RK 009M3 RV	3/4"
40587181	RK 009RV	3/4" – 1"
40587786	RK 009M2 RV	1"

Kit contains diaphragm, disk assembly, stem o-rings, seat o-ring and cover o-ring.

TOTAL RUBBER PARTS KITS (1/4" – 1")		
40587297	RK 009 RT	1/4" – 1/2"
40586999	RK 009M2 RT	3/4"
40588526	RK 009M3 RT	3/4"
40587182	RK 009 RT	3/4" – 1"
40587787	RK 009M2 RT	1"

Kit contains diaphragm, two disk assemblies, stem o-rings, cover o-ring two seat o-rings and RV seat o-ring.

RELIEF VALVE TOTAL KITS (1-1/4" – 2")		
40587307	RK 009M2 VT	1-1/4" – 1-1/2"
40587277	RK 009M1 VT	1-1/4" – 2"
40587016	RK 009 VT	1-1/4" – 2"
40587545	RK 009M2 VT	2"

Kit contains RV assembly, seat, seat o-ring, cover o-ring, sensing passage o-ring, upper stem o-ring and RV spring.

COMPLETE RUBBER PARTS KITS (1-1/4" – 2")		
Part #	Kit #	Size
40587309	RK 009M2 RT	1-1/4" – 1-1/2"
40587280	RK 009M1 RT	1-1/4" – 2"
40587185	RK 009 RT	1-1/4" – 2"
40587547	RK 009M2 RT	2"

Kit contains 2 check assembly o-rings, 2 disk assemblies, 1 cover o-ring, 1 RV diaphragm, 1 RV seat o-ring, 1 sensing passage o-ring, 1 diaphragm plate o-ring, 1 RV lower stem o-ring, 1 RV upper stem o-ring, 1 RV disk assembly and 1 bleed screw o-ring.

RETAINER		
Part #	Kit #	Size
40587053	009	1/4" – 1/2"
40587394	009M2/M3	3/4"
40587114	009M2	1"
40587001	009	1 1/4 – 2"
40587001	009M1-2"/M2	1 1/4 – 2"
40587401	009M2	1 1/4 – 1 1/2"

RELIEF VALVE RUBBER PARTS KITS (1-1/4" – 2")		
Part #	Kit #	Size
40587306	RK 009M2 RV	1-1/4" – 1-1/2"
40587276	RK 009M1 RV	1-1/4" – 2"
40587184	RK 009 RV	1-1/4" – 2"
40587544	RK 009M2 RV	2"

Kit contains diaphragm, seat o-ring, cover o-ring and sensing passage o-ring.



TOTAL MAINTENANCE SOLUTIONS  
**WATTS**  
 A WATTS WATER TECHNOLOGIES COMPANY

*Lead-Free Kits  
 are now available!  
 Please specify part  
 number with "LF"  
 suffix*

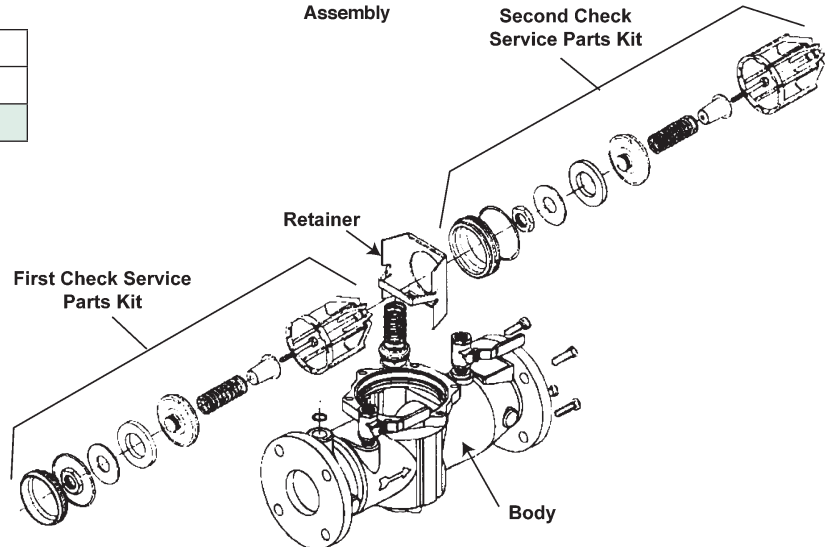
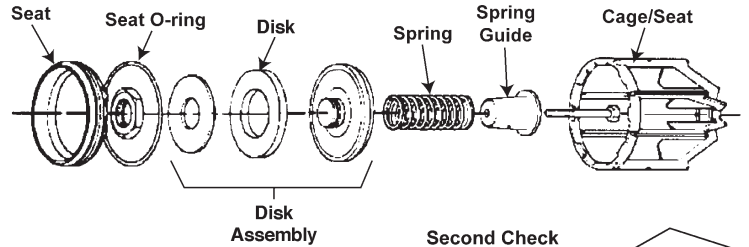


**SERIES 009 REDUCED PRESSURE ZONE  
 2-1/2" – 3"**

FIRST CHECK RUBBER PARTS KIT		
Part #	Kit #	Size
40587281	RK 009 RC1	2-1/2" – 3"

SECOND CHECK RUBBER PARTS KIT		
Part #	Kit #	Size
40587205	RK 009 RC2	2-1/2" – 3"

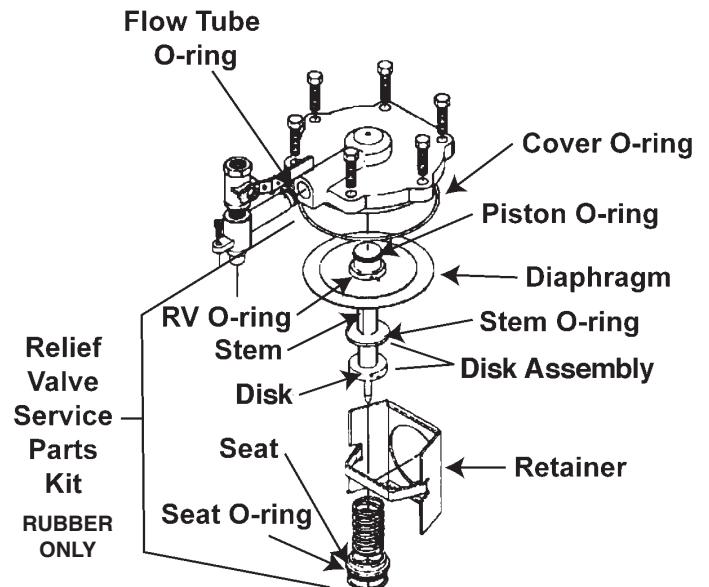
Kit contains disk, seat o-ring, cover o-ring and flow tube o-ring.



**SERIES 009 REDUCED PRESSURE ZONE  
 2-1/2" – 3"**

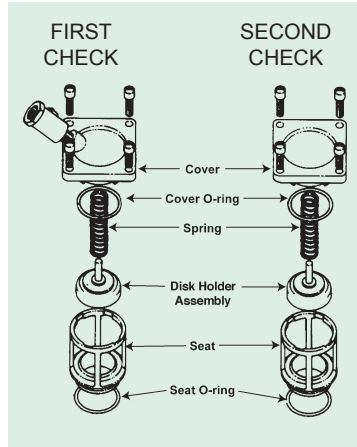
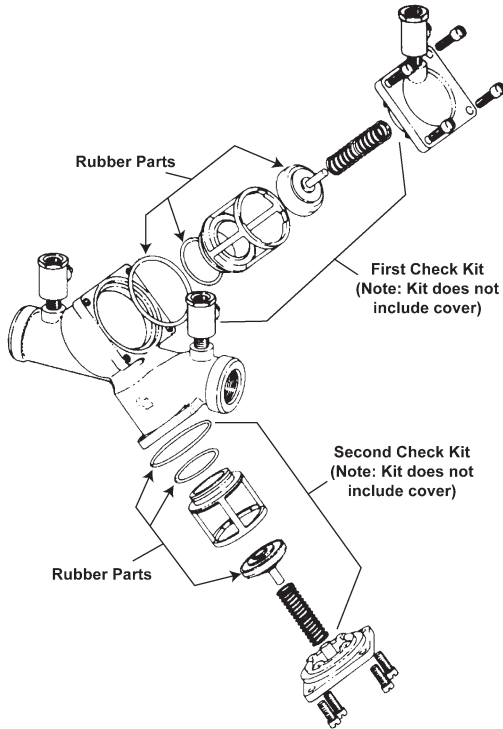
RELIEF VALVE RUBBER PARTS KIT		
Part #	Kit #	Size
40587206	RK 009 RV	2-1/2" – 3"

Kit contains diaphragm, disk, molded disk assembly, piston o-ring, stem o-ring and cover o-ring.  
 Stem o-ring located between stem and piston o-ring.



**Lead-Free Kits  
are now available!  
Please specify part  
number with "LF"  
suffix**

**SERIES 709 DOUBLE CHECK VALVE  
3/4" – 2"**



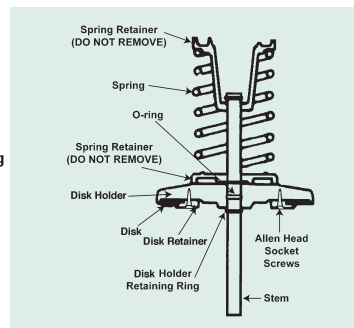
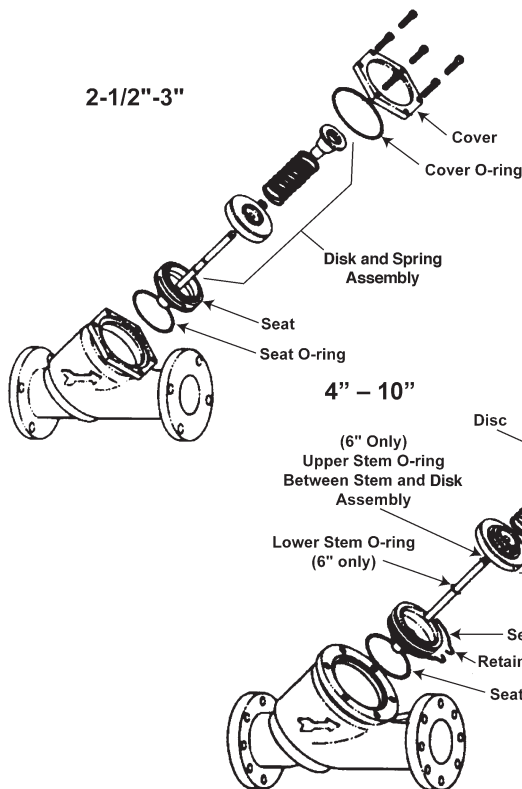
FIRST OR SECOND CHECK KIT		
Part #	Kit #	Sizes
40587150	RK 709 CK4	3/4" – 1"
40585040	RK 709 CK4	1-1/2" – 2"

Kits consist of: disk assembly, spring, seat o-ring; and cover o-ring

COMPLETE RUBBER PARTS KITS (FOR BOTH CHECKS)		
Part #	Kit #	Sizes
40587152	RK 709 RT	3/4" – 1"
40587153	RK 709 RT	1-1/2" – 2"

Kit contains disk assembly, seat o-ring and cover o-ring.

**SERIES 709 DOUBLE CHECK VALVE  
2-1/2" – 10"**



FIRST OR SECOND CHECK KITS		
Part #	Kit #	Size
40587900	RK 709 CK4	2-1/2" – 3"
40587901	RK 709 CK4	4"
40587902	RK 709 CK4	*6"
40587903	RK 709 CK4	8"
40587904	RK 709 CK4	10"

Kit contains disk & spring assembly and cover o-ring.

RUBBER PARTS KITS (FOR ONE CHECK)		
Part #	Kit #	Size
40587905	RK 709 RC4	2-1/2" – 3"
40587906	RK 709 RC4	4"
40587907	RK 709 RC4	*6"
40587908	RK 709 RC4	8"
40587909	RK 709 RC4	10"

Kit contains disk and cover o-ring.

COMPLETE RUBBER PARTS		
Part #	Kit #	Size
40587915	RK 709 RT	2-1/2" – 3"
40587916	RK 709 RT	4"
40587917	RK 709 RT	*6"
40587918	RK 709 RT	8"
40587919	RK 709 RT	10"

Kit contains two disks and two cover o-rings.  
\*6" also includes lower stem o-ring.

TOTAL MAINTENANCE SOLUTIONS  
**WATTS**  
 A WATTS WATER TECHNOLOGIES COMPANY

*Lead-Free Kits  
 are now available!  
 Please specify part  
 number with "LF"  
 suffix*



**SERIES 757, 757DCDA, 757A AND 757ADCDA  
 DOUBLE CHECK VALVE AND  
 DOUBLE CHECK DETECTOR ASSEMBLIES  
 2-1/2" – 10"**

1ST CHECK KITS		
Part #	Kit #	Sizes
40581812	RK 757/757DCDA CK1	2-1/2" – 4"
40581813	RK 757/757DCDA CK1	6"
40581814	RK 757/757DCDA CK1	8"
40581815	RK 757/757DCDA CK1	10"

Kit contains first check module, check module o-ring and disk elastomer (red silicone).

2ND CHECK KITS		
Part #	Kit #	Sizes
40581816	RK 757/757DCDA CK2	2-1/2" – 4"
40581817	RK 757/757DCDA CK2	6"
40581818	RK 757/757DCDA CK2	8"
40581819	RK 757/757DCDA CK2	10"

Kit contains second check module, check module o-ring and disk elastomer (red silicone).

1ST OR 2ND CHECK RUBBER PARTS KITS		
Part #	Kit #	Sizes
40581820	RK 757/757DCDA RC4	2-1/2" – 4"
40581821	RK 757/757DCDA RC4	6"
40581822	RK 757/757DCDA RC4	8"
40581823	RK 757/757DCDA RC4	10"

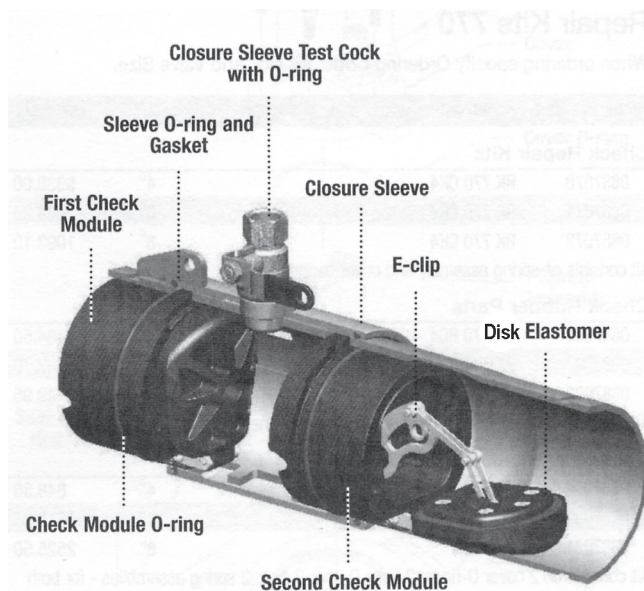
Kit contains check module o-ring, disk elastomer (red silicone) and E-clip.

CHECK SLEEVE COVER KITS		
Part #	Kit #	Sizes
40581824	RK 757/757DCDA C	2-1/2" – 4"
40581825	RK 757/757DCDA C	6"
40581826	RK 757/757DCDA C	8"
40581827	RK 757/757DCDA C	10"

Kit contains closure sleeve, sleeve o-ring and gasket.

1ST CHECK KITS – 757A & 757ADCDA		
Part #	Kit #	Sizes
40581828	RK 757a/757aDCDA CK1	2-1/2" – 4"
40581829	RK 757a/757aDCDA CK1	6"

Kit contains first check module, check module o-ring and disk elastomer (EPDM).



2ND CHECK KITS – 757A & 757ADCDA		
Part #	Kit #	Sizes
40581830	RK 757a/757aDCDA CK2	2-1/2" – 4"
40581831	RK 757a/757aDCDA CK2	6"

Kit contains second check module, check module o-ring and disk elastomer (EPDM).

1ST OR 2ND CHECK RUBBER PARTS KITS – 757A & 757ADCDA		
Part #	Kit #	Sizes
40581832	RK 757a/757aDCDA CK4	2-1/2" – 4"
40581833	RK 757a/757aDCDA CK4	6"

Kit contains check module o-ring, disk elastomer (EPDM) and E-clip.

1ST OR 2ND CHECK COVER KITS – 757A & 757ADCDA		
Part #	Kit #	Sizes
40581834	RK 757a/757aDCDA C	2-1/2" – 4"
40581835	RK 757a/757aDCDA C	6"

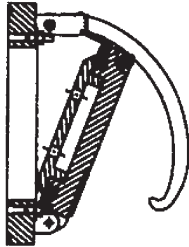
Kit contains check module o-ring, disk elastomer and E-clip.



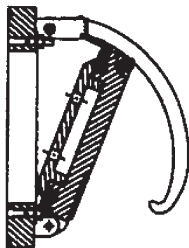
**Lead-Free Kits  
are now available!  
Please specify part  
number with "LF"  
suffix**

**SERIES 774, 774DCDA, 774X, 774XDCDA  
DOUBLE CHECK VALVE AND  
DOUBLE CHECK DETECTOR ASSEMBLIES  
2-1/2" – 12"**

FIRST CHECK 8" – 12"



SECOND CHECK 8" – 12"



1ST CHECK KITS		
Part #	Kit #	Sizes
40588820	RK 774/774DCDA CK1	2-1/2" – 4"
40588821	RK 774/774DCDA CK1	6"
40588827	RK 774/774DCDA CK4	8" – 12"

Kit contains complete #1 cam check with check o-ring

2ND CHECK KITS		
Part #	Kit #	Sizes
40588822	RK 774/774DCDA CK2	2-1/2" – 4"
40588823	RK 774/774DCDA CK2	6"
40588827	RK 774/774DCDA CK4	8" – 12"

Kit contains complete #2 cam check with check o-ring.

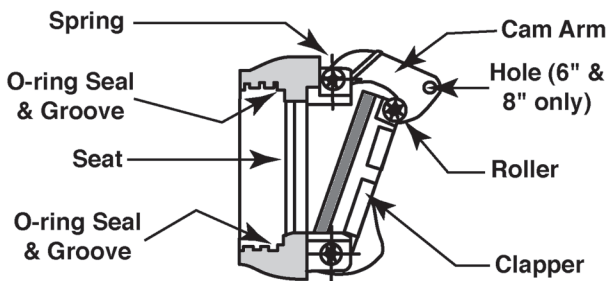
1ST OR 2ND CHECK RUBBER PARTS KITS		
Part #	Kit #	Sizes
40588824	RK 774/774DCDA C	2-1/2" – 4"
40588825	RK 774/774DCDA C	6"
40588826	RK 774X/774XDCDA C	6"
40588828	RK 774/774DCDA C	8" – 12"

Kit contains cover, grooved coupler & gasket.

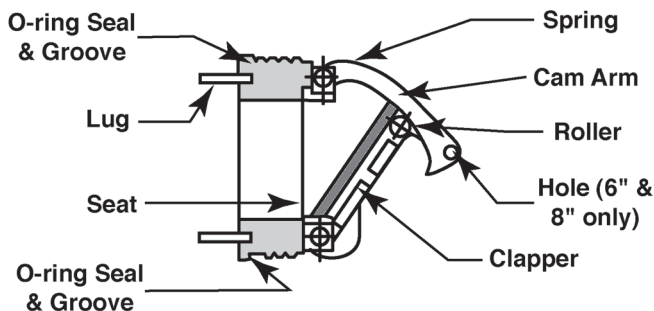
COVER KIT		
Part #	Kit #	Sizes
0888824	RK 774/774DCDA C	2 1/2" – 4"
0888825	RK 774/774DCDA C	6"
0888826	RK 774X/774XDCDA	6"

Kit contains cover, grooved coupler & gasket.

FIRST CHECK 2-1/2" – 6"



SECOND CHECK 2-1/2" – 6"



For 6" 774X 1st and 2nd check, use RK 774 CK1 & CK2 4"  
For 8" 774X 1st and 2nd check, use RK 774 CK1 & CK2 6"  
For 8" 774X cover kit, use RK 774 C 6"

For 6" 774XDCDA 1st and 2nd check, use RK 774DCDA CK1 & CK2 4"  
For 8" 774XDCDA 1st and 2nd check, use RK 774DCDA CK1 & CK2 6"  
For 8" 774XDCDA cover kit, use RK 774DCDA C 6"

*Lead-Free Kits  
 are now available!  
 Please specify part  
 number with "LF"  
 suffix*



**SERIES 775 DOUBLE CHECK VALVE**  
**1/2" – 2"**

FIRST CHECK KITS		
Part #	Kit #	Sizes
40588560	RK 775 CK1	1/2" – 3/4"
40588561	RK 775 CK1	1"
40588562	RK 775 CK1	1-1/4" – 1-1/2"
40588563	RK 775 CK1	2"

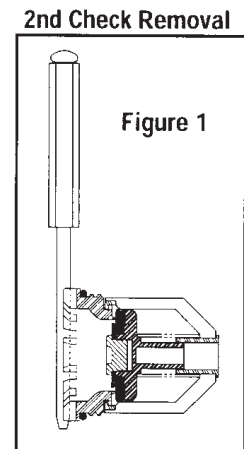
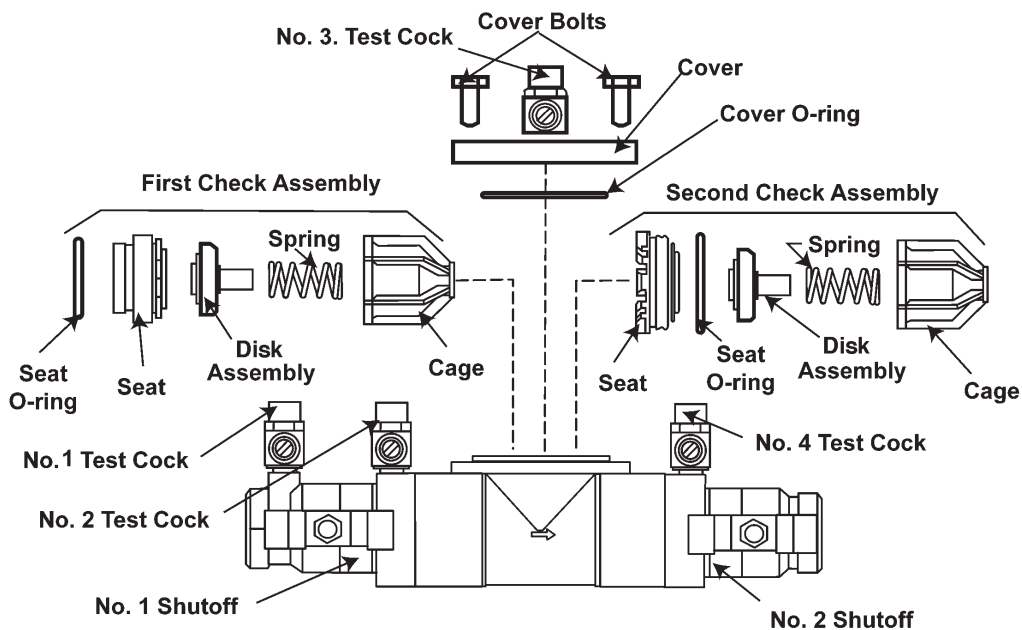
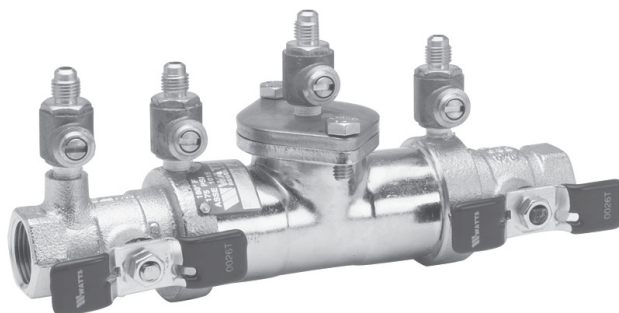
Kit contains disk assembly, seat, seat o-ring, spring, cage and cover o-ring.

RUBBER PARTS KITS		
Part #	Kit #	Sizes
40588568	RK 775 RT	1/2" – 3/4"
40588569	RK 775 RT	1"
40588570	RK 775 RT	1-1/4" – 1-1/2"
40588571	RK 775 RT	2"

Kit contains (2) disk assemblies, (2) seat o-rings, and cover o-ring.

SECOND CHECK KITS		
Part #	Kit #	Sizes
40588564	RK 775 CK2	1/2" – 3/4"
40588565	RK 775 CK2	1"
40588566	RK 775 CK2	1-1/4" – 1-1/2"
40588567	RK 775 CK2	2"

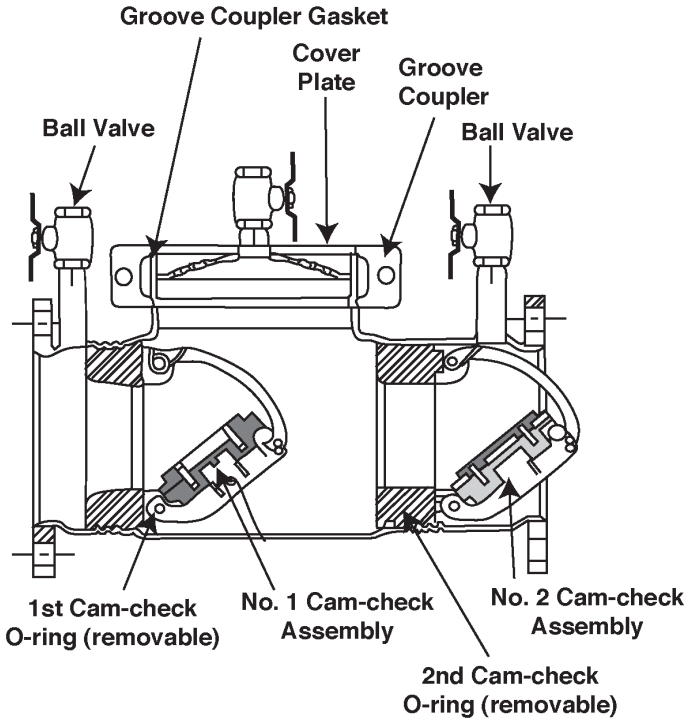
Kit contains disk assembly, seat, seat o-ring, spring, cage and cover o-ring.



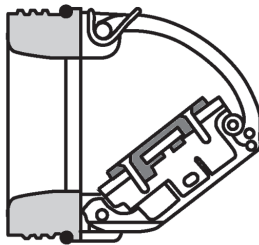


**Lead-Free Kits  
are now available!  
Please specify part  
number with "LF"  
suffix**

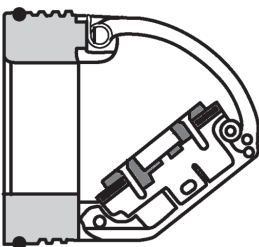
**SERIES 775, 775DCDA DOUBLE CHECK VALVE  
AND DOUBLE CHECK DETECTOR ASSEMBLIES  
3" – 8"**



**NO. 1 CHECK ASSEMBLY**



**NO. 2 CHECK ASSEMBLY**



FIRST CHECK KITS		
Part #	Kit #	Sizes
40588900	RK 775/775DCDA CK1	3" – 4"
40588901	RK 775/775DCDA CK1	6" – 8"

Kit contains complete No. 1 Check assembly with check o-ring.

SECOND CHECK KITS		
Part #	Kit #	Sizes
40588902	RK 775/775DCDA CK2	3" – 4"
40588903	RK 775/775DCDA CK2	6" – 8"

Kit contains disk assembly, seat, seat o-ring, spring, cage and cover o-ring.

COVER KITS		
Part #	Kit #	Sizes
40588904	RK 775/775DCDA C	3" – 4"
40588905	RK 775/775DCDA C	6" – 8"

Kit contains cover, grooved coupler & gasket.

FIRST CHECK RUBBER PARTS KITS		
Part #	Kit #	Sizes
40588906	RK 775/775DCDA RC1	3" – 4"
40588907	RK 775/775DCDA RC1	6" – 8"

Kit contains first check assembly o-ring and check disk.

SECOND CHECK RUBBER PARTS KITS		
Part #	Kit #	Sizes
40588908	RK 775/775DCDA RC2	3" – 4"
40588909	RK 775/775DCDA RC2	6" – 8"

Kit contains second check assembly o-ring and check disk .

TOTAL RUBBER KITS		
Part #	Kit #	Sizes
40588910	RK 775/775DCDA RT	3" – 4"
40588911	RK 775/775DCDA RT	6" – 8"

Kit contains first and second check assembly o-ring and first and second check disk.



*Lead-Free Kits  
 are now available!  
 Please specify part  
 number with "LF"  
 suffix*



**SERIES 900 REDUCED PRESSURE ZONE**  
**3/4" – 2"**

COMPLETE REPAIR KITS		
Part #	Kit #	Size
40585028	45 BFP RK	3/4", 1", 1-1/4"
40585030	47 BFP RK	1-1/2", 2"

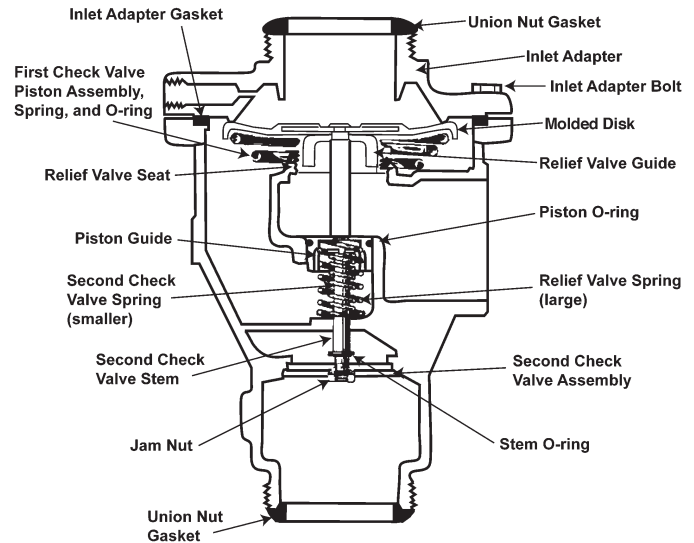
Kit contains inlet adapter gasket, first check valve assembly with spring and o-ring, second check valve spring, two union nut gaskets, relief valve spring, second check valve assembly, stem o-ring, maintenance tool and silicone grease.

RUBBER PARTS KITS		
Part #	Kit #	Size
40585024	46 BFP-RK	3/4", 1", 1-1/4"
40585026	48 BFP-RK	1-1/2", 2"

Kit contains molded disk and piston o-ring.

RELIEF VALVE SEAT AND SEAL KITS		
Part #	Kit #	Size
40581245	34 BFP-RK	3/4", 1", 1 1/4"
40581275	35 BFP-RK	1 1/2", 2"

Kit contains relief valve seat and o-ring.



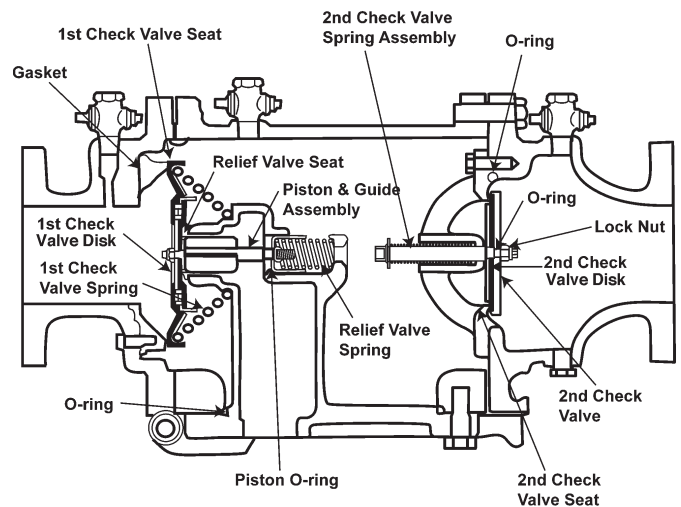
**SERIES 900 REDUCED PRESSURE ZONE**  
**2-1/2" – 6"**

FIRST CHECK ASSEMBLY KITS		
Part #	Kit #	Size
40585000	36 BFP RK	2-1/2", 3"
40585002	37 BFP RK	4"
40585004	38 BFP RK	6"

Kit contains first check valve seat and disk, valve spring, gasket, relief valve seat and spring.

SECOND CHECK ASSEMBLY KITS		
Part #	Kit #	Size
40585006	39 BFP RK	2-1/2", 3"
40585008	40 BFP RK	4"
40585010	41 BFP RK	6"

Kit contains second check valve spring assembly, valve disk and seat, o-rings, lock nut, piston o-ring and guide assembly and relief valve o-ring.



RUBBER PARTS KITS		
Part #	Kit #	Size
40585012	42 BFP-RK	2-1/2", 3"
40581015	43 BFP-RK	4"
59984016	44 BFP-RK	6"

Kit contains first check valve disk, second check valve disk, o-rings and silicone grease.

MAINTENANCE TOOL KITS		
Part #	Kit #	Size
40584019	SAT900H153	2-1/2", 3"
40584042	SAT900J153	4"
40584018	SAT900K153	6"

Kit contains jacking tool, tuning fork and compression rod.

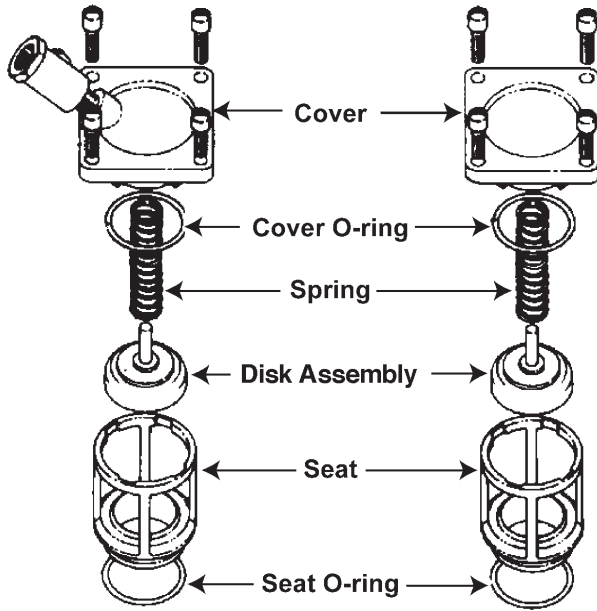




**Lead-Free Kits  
are now available!  
Please specify part  
number with "LF"  
suffix**

**TOTAL MAINTENANCE SOLUTIONS**  
**WATTS**  
**A WATTS WATER TECHNOLOGIES COMPANY**

**SERIES 909 REDUCED PRESSURE ZONE  
3/4" - 2"**



SEAT KITS FOR ONE CHECK		
Part #	Kit #	Size
40587124	RK 909 S	3/4" - 1"
40587139	RK 909M1 S	1-1/4" - 2"

Kit contains seat, seat o-ring and lubricant.

FIRST CHECK KITS		
Part #	Kit #	Size
40587120	RK 909 CK1	3/4" - 1"
40587133	RK 909M1 CK1	1-1/4" - 2"

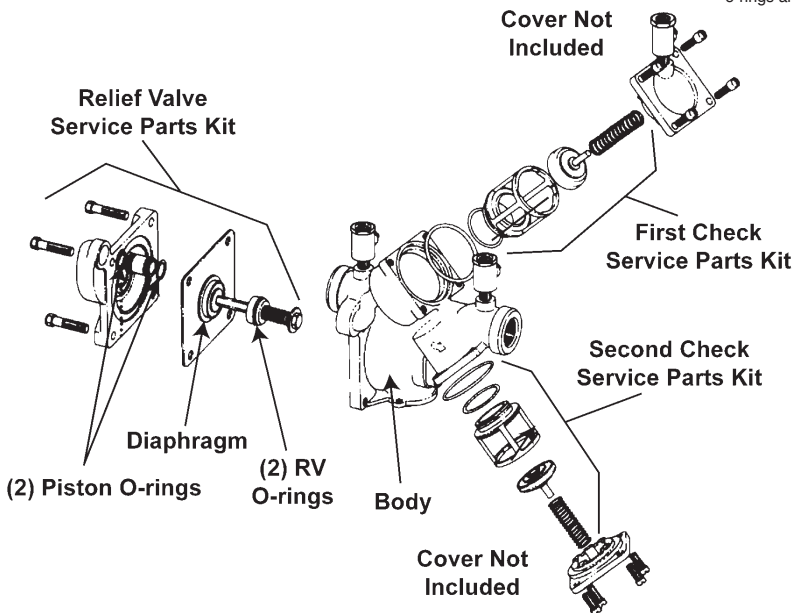
SECOND CHECK KITS		
Part #	Kit #	Sizes
40587121	RK 909 CK2	3/4" - 1"
40587134	RK 909M1 CK2	1-1/4" - 2"

Kit contains disk assembly, spring, seat, o-ring, cover o-ring and lubricant.

COMPLETE RUBBER PARTS KITS		
Part #	Kit #	Sizes
40587130	RK 909 RT	3/4" - 1"
40587144	RK 909M1 RT	1-1/4" - 2"

Kit contains disk assembly, seat o-rings, RV diaphragm, RV o-rings, piston o-rings, cover o-rings and lubricant.

Other sizes available. Call for information.



NOTE: No special tools required to service Series 909

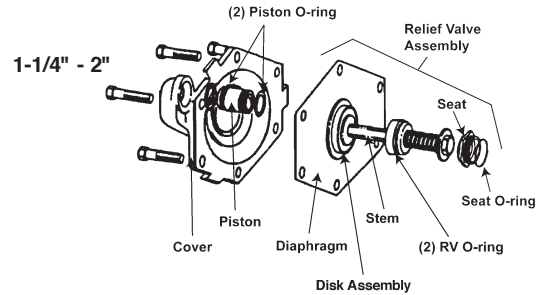
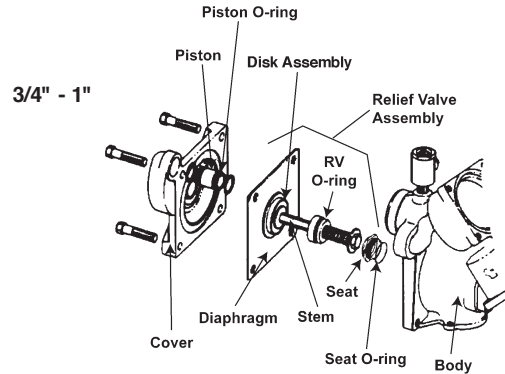
*Lead-Free Kits  
 are now available!  
 Please specify part  
 number with "LF"  
 suffix*



**SERIES 909 REDUCED PRESSURE ZONE  
 3/4" – 2"**

RELIEF VALVE KITS		
Part #	Kit #	Sizes
40587126	RK 909 VT	3/4" – 1"
40587138	RK 909M1 VT	1-1/4" – 2"

Kit contains relief valve assembly, seat, seat o-ring, 2 piston o-rings and lubricant.



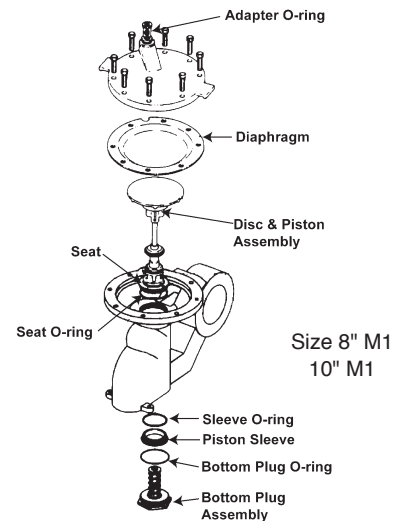
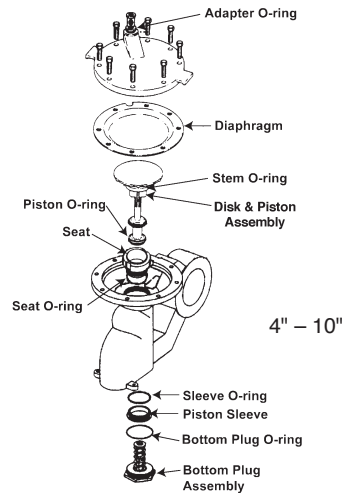
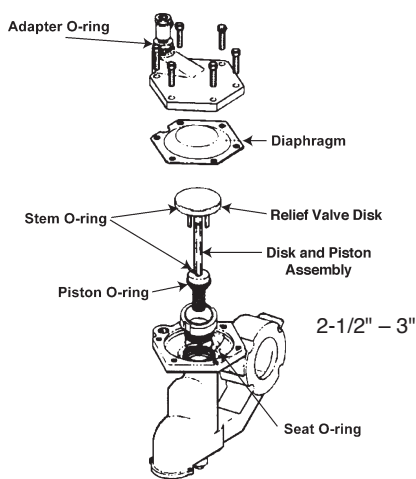
RELIEF VALVE RUBBER PARTS KITS		
Part #	Kit #	Sizes
40587131	RK 909 RV	3/4"-1"
40587141	RK 909M1 RV	1-1/4" – 2"

Kit contains diaphragm, disk assembly, seat o-ring, RV o-ring, 2 piston o-rings, and lubricant.

SEAT KITS FOR RELIEF VALVE		
Part #	Kit #	Sizes
40587372	RK 909 SV	3/4" – 1"
40587371	RK 909MI SV	1-1/4" – 2"

Kit contains seat, seat o-ring, 2 piston rings and lubricant.

**SERIES 909 REDUCED PRESSURE ZONE  
 2-1/2" – 10"**



RELIEF VALVE RUBBER PARTS KITS		
Part #	Kit #	Size
40587231	RK 909 RV	2-1/2" – 3"
40587232	RK 909 RV	4" – 6"
40587233	RK 909 RV	8" – 10"
40587234	*RK 909M1 RV	4" – 10"

Kit contains sleeve o-ring, piston o-ring, stem o-ring, RV disk assembly, diaphragm, piston seal, bottom plug o-ring, adapter o-ring and lubricant. (\*M1 = Cast iron relief valve).

RELIEF VALVE TOTAL REPAIR KITS		
Part #	Kit #	Size
40587235	RK 909 VT	2-1/2" – 3"
40587236	RK 909 VT	4" – 6" CAST IRON
40587237	RK 909 VT	8" – 10"
40587238	*RK 909M1 VT	4" – 10"

Kit contains diaphragm, disk & piston assembly, seat, seat o-ring, adapter o-ring and lubricant. (Sizes 4" – 10" M1 includes bottom plug & spring assembly). (\*M1 = Cast iron relief valve).



**Lead-Free Kits  
are now available!  
Please specify part  
number with "LF"  
suffix**

TOTAL MAINTENANCE SOLUTIONS

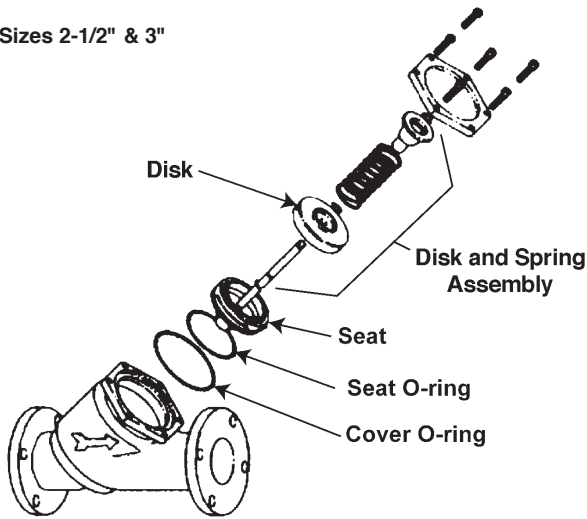
**WATTS**

A WATTS WATER TECHNOLOGIES COMPANY

SERIES 909 REDUCED PRESSURE ZONE

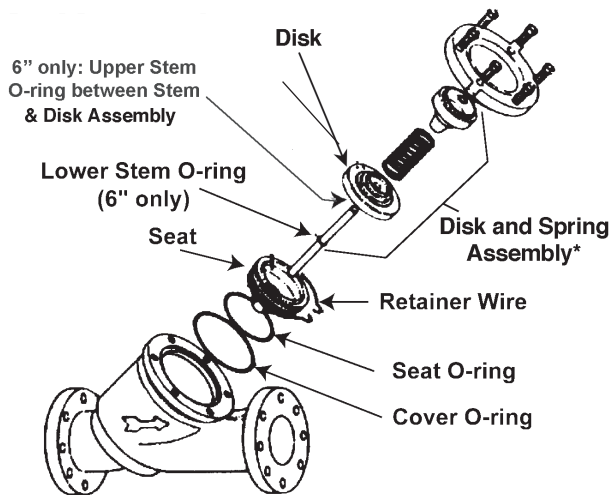
2-1/2" – 10"

Sizes 2-1/2" & 3"



**\*Warning: Spring assembly is factory assembled. DO NOT DISASSEMBLE.**

Sizes 4" – 10"



FIRST CHECK KITS		
Part #	Kit #	Size
40587210	RK 909 CK1	2-1/2" – 3"
40587212	RK 909 CK1	4"
40587213	RK 909 CK1	6"
40587214	RK 909 CK1	8"
40587215	RK 909 CK1	10"

SECOND CHECK KITS		
40587211	RK 909 CK2	2-1/2" – 3"
40587216	RK 909 CK2	4"
40587217	RK 909 CK2	6"
40587218	RK 909 CK2	8"
40587219	RK 909 CK2	10"

Kit contains disk & spring assembly, cover o-ring and lubricant.

FIRST CHECK RUBBER PARTS KITS		
40587220	RK 909 RC1	2-1/2" – 3"
40587221	RK 909 RC1	4"
40587223	RK 909 RC1	6"
40587224	RK 909 RC1	8"
40587225	RK 909 RC1	10"

SECOND CHECK RUBBER PARTS KITS		
40587226	RK 909 RC2	2-1/2" – 3"
40587227	RK 909 RC2	4"
40587228	RK 909 RC2	6"
40587229	RK 909 RC2	8"
40587230	RK 909 RC2	10"

Kit contains lower check stem o-ring (6" only), check disk, cover o-ring and lubricant.

TOTAL RUBBER PARTS KITS		
59987550	RK 909 RT	2-1/2" – 3"
40587751	RK 909 RT	4"
40587752	RK 909 RT	6"
40587753	RK 909 RT	8"
40587761	RK 909M1 RT	8"
40587754	RK 909 RT	10"
40587762	RK 909M1 RT	10"

Kit contains upper and lower check stem o-ring (6" only), check disk, cover o-ring, sleeve o-ring, piston o-ring, RV disk assembly, diaphragm, piston seal and lubricant.

M1 = Cast Iron Relief Valve

SEAT KITS (1 SEAT)		
Part #	Kit #	Sizes
40587730	RK 909 S	2 1/2" – 3"
40587731	RK 909 S	4"
40587732	RK 909 S	6"
40587733	RK 909 S	8"
40587734	RK 909 S	10"

Kit contains seat, seat o-ring, cover o-ring and lubricant.

*Lead-Free Kits  
 are now available!  
 Please specify part  
 number with "LF"  
 suffix*



**SERIES 919 REDUCED PRESSURE ZONE**  
**1/4" – 2"**

TOTAL RELIEF VALVE KITS		
Part #	Kit #	Size
40588130	RK 919 VT	1/4" – 1/2"
40588131	RK 919 VT	3/4" – 1"
40588132	RK 919 VT	1-1/4" – 2"

Kit contains Relief Valve Assembly, RV Spring, and RV Cover o-ring.

RELIEF VALVE RUBBER PARTS KITS		
Part #	Kit #	Size
40588135	RK 919 RV	1/4" – 1/2"
40588136	RK 919 RV	3/4" – 1"
40588137	RK 919 RV	1-1/4" – 2"

Kit contains Relief Valve Disk, RV Diaphragm, RV Seat o-ring and Cover o-ring.

RELIEF VALVE SEAT KITS		
Part #	Kit #	Size
40588150	RK 919 SV	1/4" – 1/2"
40588151	RK 919 SV	3/4" – 1"
40588153	RK 919 SV	1-1/4" – 2"

Kit contains Relief Valve Seat, RV Seat o-ring and RV Cover o-ring.

RELIEF VALVE COVER KITS		
Part #	Kit #	Size
40588155	RK 919 VC	1/4" – 1/2"
40588156	RK 919 VC	3/4" – 1"
40588158	RK 919 VC	1-1/4" – 2"

Kit contains Relief Valve Cover and Cover o-ring.

1ST CHECK ASSEMBLY KITS		
Part #	Kit #	Size
40588110	RK 919 CK1	1/4" – 1/2"
40588111	RK 919 CK1	3/4"
40588112	RK 919 CK1	1"
40588113	RK 919 CK1	1-1/4" – 1-1/2"
40588114	RK 919 CK1	2"

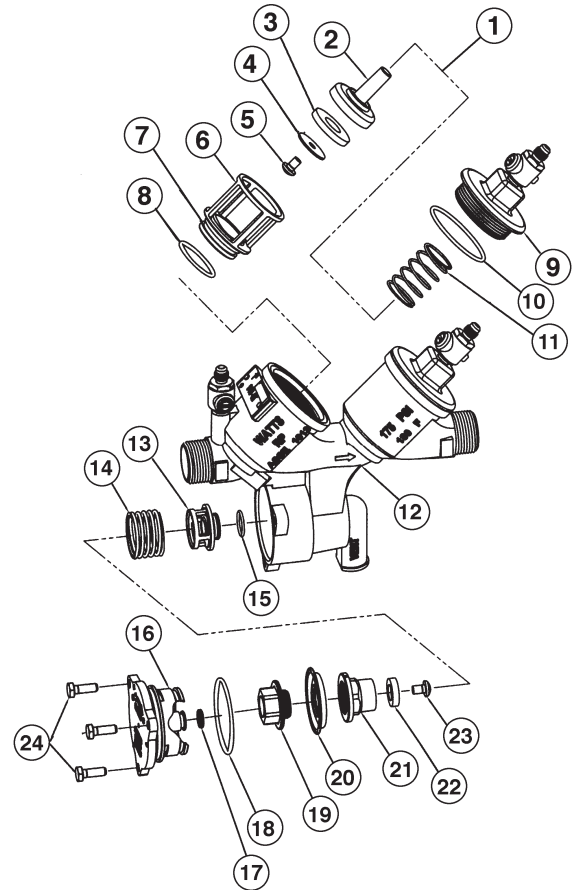
Kit contains Check Assembly, Spring and Cover o-ring.

2ND CHECK ASSEMBLY KITS		
Part #	Kit #	Size
40588115	RK 919 CK2	1/4" – 1/2"
40588116	RK 919 CK2	3/4"
40588117	RK 919 CK2	1"
40588118	RK 919 CK2	1-1/4" – 1-1/2"
40588119	RK 919 CK2	2"

Kit contains Check Assembly, Spring and Cover o-ring.

**Series 919 Reduced Pressure Zone Assemblies Parts List**

1. Check Assembly
2. Check Disk Holder
3. Check Disk Rubber
4. Check Disk Washer
5. Check Disk Screw
6. Reinforcement Ring
7. Check Seat
8. Check Seat O-ring
9. Cover
10. Cover O-ring
11. Check Spring
12. Body
13. Relief Valve Seat
14. Relief Valve Spring
15. Relief Seat O-ring
16. Relief Valve Cover
17. Quad-Ring
18. Relief Valve Cover O-ring
19. Diaphragm Nut
20. Relief Valve Diaphragm
21. Relief Valve Stem
22. Relief Valve Disk
23. Relief Valve Disk Screw
24. Cover Bolts



1ST OR 2ND CHECK RUBBER PARTS KITS		
Part #	Kit #	Size
40588133	RK 919 RC4	1/4" – 1/2"
40588121	RK 919 RC4	3/4"
40588122	RK 919 RC4	1"
40588157	RK 919 RC4	1-1/4" – 1-1/2"
40588124	RK 919 RC4	2"

Kit contains Disk, Seat o-ring and Cover o-ring.

COMPLETE VALVE RUBBER PARTS KITS		
Part #	Kit #	Size
40588140	RK 919 RT	1/4" – 1/2"
40588141	RK 919 RT	3/4"
40588142	RK 919 RT	1"
40588143	RK 919 RT	1-1/4" – 1-1/2"
40588144	RK 919 RT	2"

Kit contains 2 Check Disks, 2 Check Seat o-rings, 1 RV Disk.

CHECK SEAT KITS		
Part #	Kit #	Size
40588125	RK 919 S	1/4" – 1/2"
40588126	RK 919 S	3/4"
40588127	RK 919 S	1"
40588128	RK 919 S	1-1/4" – 1-1/2"
40588129	RK 919 S	2"

Kit contains Seat, Seat o-ring and Cover o-ring.

CHECK COVER KITS		
Part #	Kit #	Size
40588145	RK 919 C	1/4" – 1/2"
40588146	RK 919 C	3/4"
40588147	RK 919 C	1"
40588148	RK 919 C	1-1/4" – 1-1/2"
40588149	RK 919 C	2"

Kit contains Cover and Cover o-ring



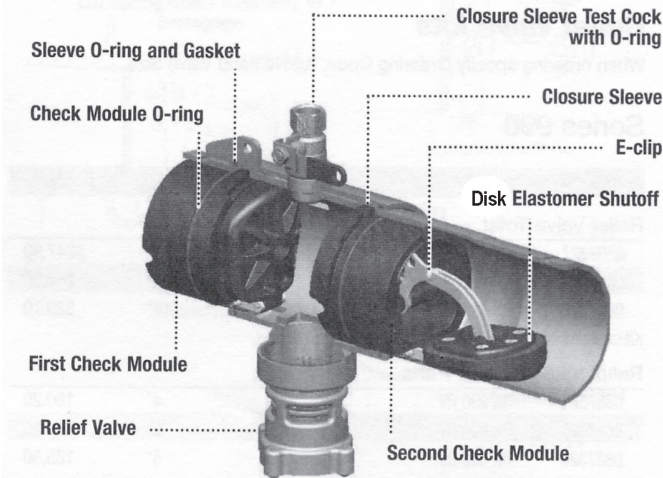
**Lead-Free Kits  
are now available!  
Please specify part  
number with "LF"  
suffix**

TOTAL MAINTENANCE SOLUTIONS

**WATTS**

A WATTS WATER TECHNOLOGIES COMPANY

**SERIES 957 REDUCED PRESSURE ZONE  
REDUCED PRESSURE DETECTOR ASSEMBLIES  
2-1/2" – 10"**

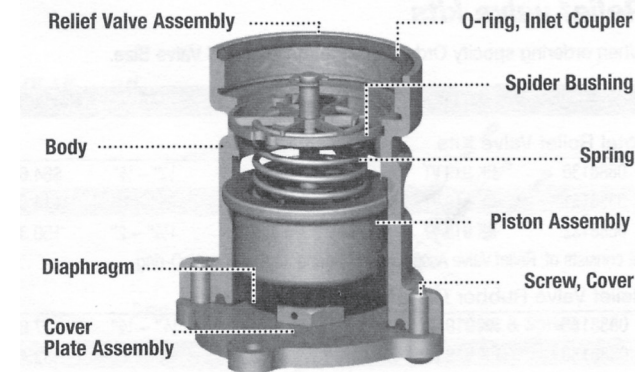


CHECK SLEEVE COVER KITS		
Part #	Kit #	Size
40581854	RK 957/957RPDA C	2-1/2" – 4"
40581855	RK 957/957RPDA C	6"
40581856	RK 957/957RPDA C	8"
40581858	RK 957/957RPDA C	10"

Kit contains closure sleeve, sleeve o-ring and gasket.

TOTAL RUBBER PARTS KITS		
Part #	Kit #	Size
40581859	RK 957/957RPDA RT	2-1/2" – 4"
40581861	RK 957/957RPDA RT-RS	2-1/2" – 4"
40581862	RK 957/957RPDA RT	6"
40581863	RK 957/957RPDA RT-RS	6"
40581864	RK 957/957RPDA RT-RS	8"
40581865	RK 957/957RPDA RT-RS	10"

Kit contains 1st and 2nd check module, (2) disk elastomer, (2) E-clips, relief valve diaphragm, relief valve inlet coupler o-ring and relief valve piston assembly.



**SERIES 957 REDUCED PRESSURE ZONE  
REDUCED PRESSURE DETECTOR ASSEMBLIES  
RELIEF VALVE 2-1/2" – 10"**

RELIEF VALVE TOTAL KITS		
Part #	Kit #	Size
40581866	RK 957/957RPDA VT	2-1/2" – 10"

Kit contains complete relief valve assembly

RELIEF VALVE RUBBER PARTS KITS		
Part #	Kit #	Size
40581867	RK 957/957RPDA RV	2-1/2" – 10"

Kit contains diaphragm, inlet coupler o-ring and piston assembly.

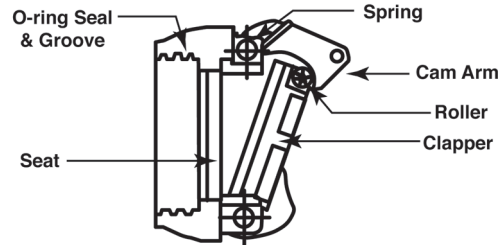


*Lead-Free Kits  
 are now available!  
 Please specify part  
 number with "LF"  
 suffix*

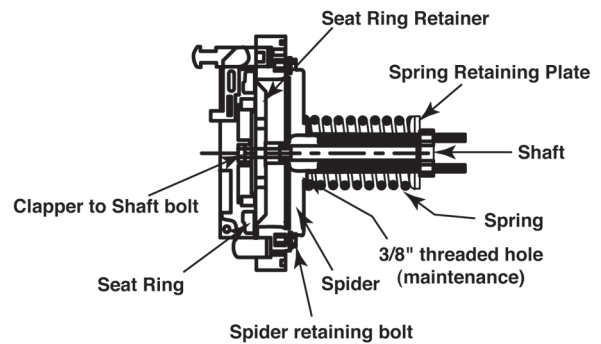


**SERIES 994, 994RPDA REDUCED PRESSURE ZONE  
 REDUCED PRESSURE DETECTOR ASSEMBLIES  
 2-1/2" – 10"**

NO. 1 CHECK 2-1/2" – 6"

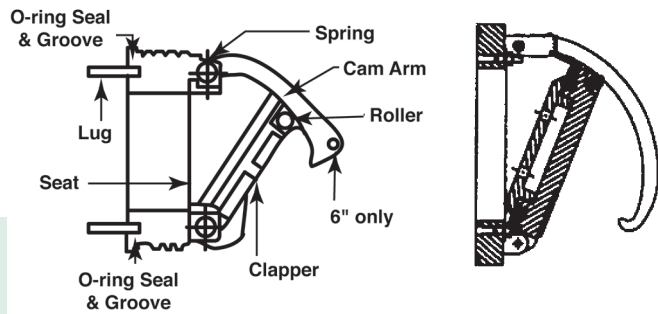


NO. 1 CHECK 8" & 10"



NO. 2 CHECK 2-1/2" – 6"

NO. 2 CHECK 8" & 10"



FIRST CHECK KITS		
Part #	Kit #	Size
40588830	RK 994/994RPDA CK1	2-1/2" – 4"
40588831	RK 994/994RPDA CK1	6"
40588832	RK 994/994RPDA CK1	8", 10"

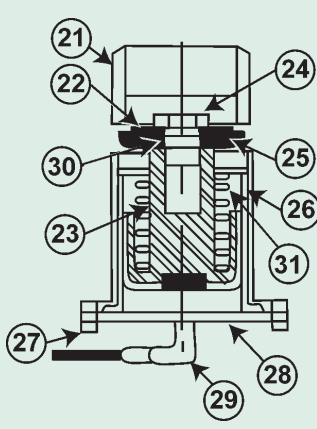
Kit contains complete No. 1 check with Check o-ring.

SECOND CHECK KITS		
Part #	Kit #	Size
40588833	RK 994/994RPDA CK2	2-1/2" – 4"
40588834	RK 994/994RPDA CK2	6"
40588835	RK 994/994RPDA CK2	8", 10"

Kit contains complete No. 2 check with check o-ring.

COVER KITS		
Part #	Kit #	Size
40588836	RK 994/994RPDA C	2-1/2" – 4"
40588837	RK 994/994RPDA C	6"
40588838	RK 994/994RPDA C	8", 10"

Kit contains cover, grooved coupler, gasket.



994 RELIEF VALVE PARTS LISTING	
Item #	Description
21.	Relief Valve Body
22.	Rubber Shut-Off Disk
23.	Piston Diaphragm Assembly
24.	Hex Head Bolt
25.	Disk Retainer
26.	Sleeve
27.	Bottom Bolt
28.	Bottom Flange (w/ St. Elbow)
29.	Elbow St. 90 3/8
30.	O-ring Disk (2 required)
31.	RV Spring

RELIEF VALVE RUBBER PARTS KIT		
Part #	Kit #	Size
40588839	RK 994/994RPDA RV	2-1/2" – 10"

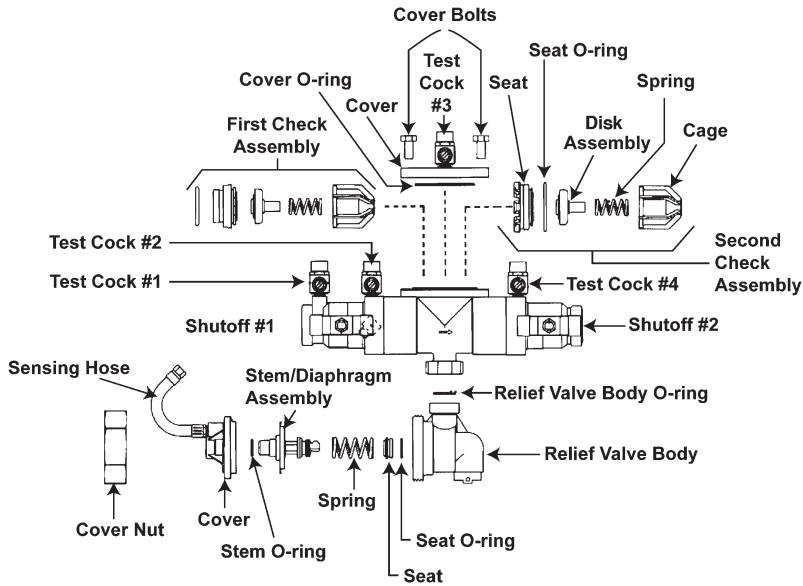
Kit contains rubber disk piston diaphragm assembly, disk retainer, relief valve body o-ring.

RELIEF VALVE TOTAL KITS		
Part #	Kit #	Size
40588840	RK 994/994RPDA VT	2-1/2" – 10"

Kit contains body, disk, piston diaphragm assembly, hex head bolt, disk retainer, sleeve, bottom bolt, shut-off plate and bottom flange.



*Lead-Free Kits  
are now available!  
Please specify part  
number with "LF"  
suffix*



**SERIES 995 REDUCED PRESSURE ZONE  
1/2" – 1-1/2"**

FIRST CHECK KITS		
Part #	Kit #	Size
40588580	RK 995 CK1	1/2" – 3/4"
40588581	RK 995 CK1	1"
40588050	RK 995 CK1	1-1/4" – 1-1/2"

Kit contains check assembly and cover o-ring.

SECOND CHECK KITS		
Part #	Kit #	Size
40588582	RK 995 CK2	1/2" – 3/4"
40588583	RK 995 CK2	1"
40588052	RK 995 CK2	1-1/4" – 1-1/2"

Kit contains check assembly and cover o-ring.

TOTAL RUBBER PARTS KITS		
Part #	Kit #	Size
40588592	RK 995 RT	1/2" – 3/4"
40588593	RK 995 RT	1"
40588062	RK 995 RT	1-1/4" – 1-1/2"

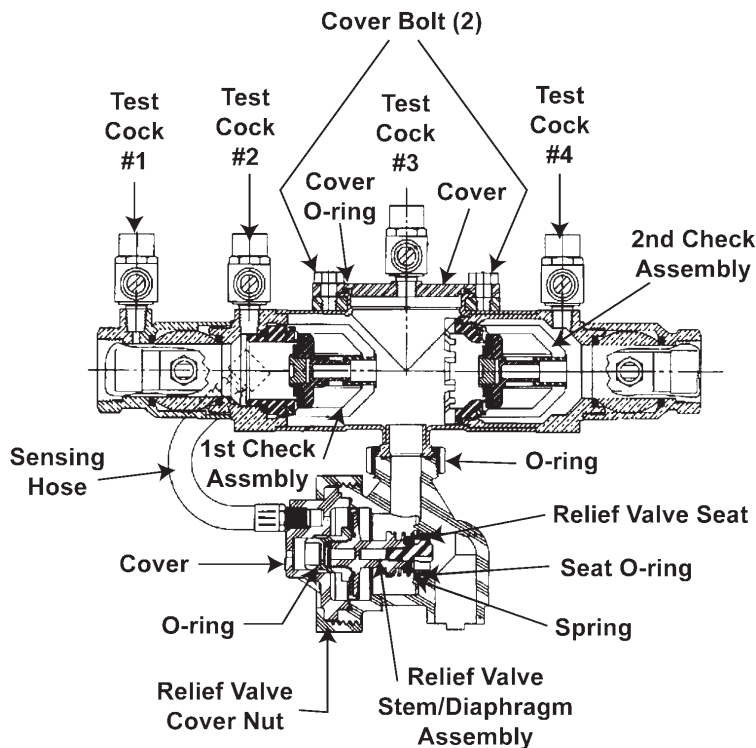
Kit contains diaphragm, relief valve disk, two check valve disk assemblies, stem o-ring, cover o-ring, two check seat o-rings, relief valve seat o-ring and relief valve body o-ring.

RELIEF VALVE KITS		
Part #	Kit #	Size
40588589	RK 995 VT	1/2" – 1"
40588060	RK 995 VT	1-1/4" – 1-1/2"

Kit contains seat, seat o-ring, stem and diaphragm assembly, stem o-ring, cover o-ring and relief valve spring.

RELIEF VALVE RUBBER PARTS KITS		
Part #	Kit #	Size
40588588	RK 995 RV	1/2" – 1"
40588058	RK 995 RV	1-1/4" – 1-1/2"

Kit contains diaphragm, disk, stem o-ring, seat o-ring and cover o-ring.

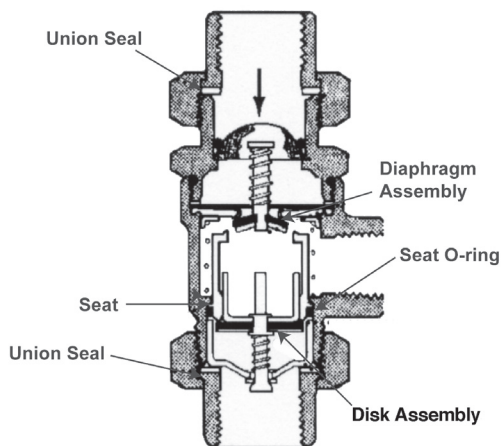


TOTAL MAINTENANCE SOLUTIONS  
**WATTS**  
 A WATTS WATER TECHNOLOGIES COMPANY

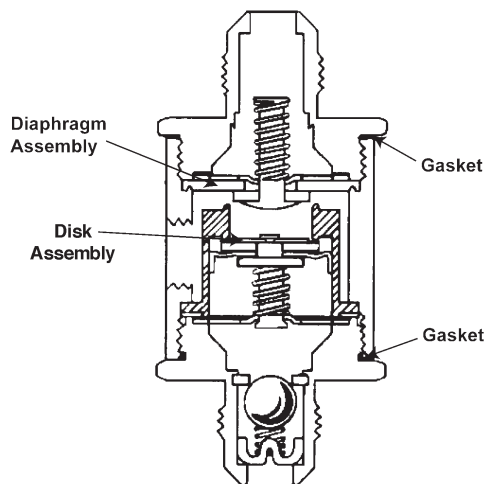
*Lead-Free Kits  
 are now available!  
 Please specify part  
 number with "LF"  
 suffix*



**SERIES 9D CONTINUOUS PRESSURE  
 NON-TESTABLE**



**SERIES 9BD VENDING MACHINE SUPPLY LINE  
 NON-TESTABLE**



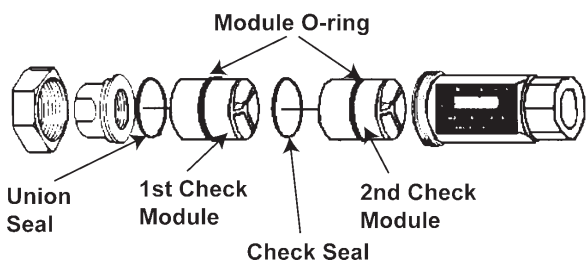
Part #	Kit #	Size
40581980	RK 9DM2 T	1/2" – 3/4"
40586011	RK 9DM3 T	1/2"

Kit includes: diaphragm assembly, disk assembly, seat, seat o-ring and two union seals.

Part #	Kit #	Size
40586012	RK 9BD T	1/4", 3/8"

Kit includes: diaphragm assembly, disk assembly and two gaskets

**SERIES 7  
 NON-TESTABLE**



**SERIES N9, NLF9  
 NON-TESTABLE**

Part #	Kit #	Size
40586019	RK N9/NLF9	1/4", 3/8"
40586007	RK N9-CDT	3/4"
40586008	RK 912HP T	3/4" – 1"

Kit includes: diaphragm assembly, disk assembly and gasket.

Part #	Kit #	Size
40586015	RK 7/CU7 T	1/2" – 1-1/4"
40586009	RK 7/7C T	3/8"
40586016	RK 7B T	3/4"
40586018	RK A7 T	5/8" – 3/4"
40586017	RK 07S T	1"
40586005	RK L7T	3/4" – 1"

Kit includes: first and second check modules, two module o-rings, union seal and check seal.



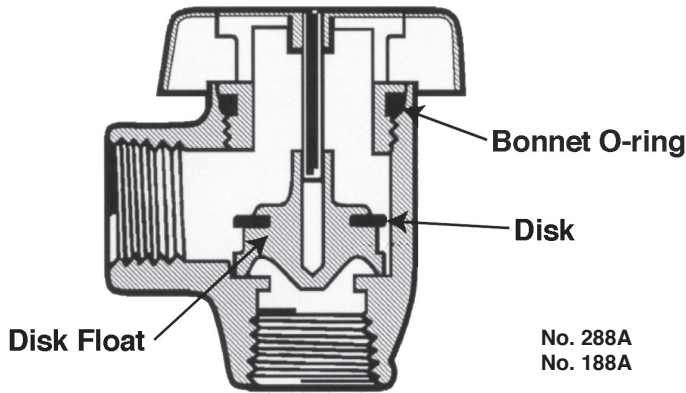
**Lead-Free Kits  
are now available!  
Please specify part  
number with "LF"  
suffix**

TOTAL MAINTENANCE SOLUTIONS

**WATTS**

A WATTS WATER TECHNOLOGIES COMPANY

**SERIES 188A, 288A, 289, 388ASC, N388  
NON-TESTABLE**



Part #	Kit #	Size
40110049	RK 188A/288A/388 T	1/4" - 3/8"
40110050	RK 188A/288A/388 T	1/2"
40110051	RK 188A/288A/388 T	3/4" - 1"
40581474	RK 188A/288A/388 T	1-1/4"
40587174	RK 188A/288A/388 T	1-1/2"
40587175	RK 188A/288A/388 T	2"
40587176	RK 188A/288A/388 T	2-1/2" - 3"

**FOR 288A'S WITH BELL SHAPED HOOD**

Part #	Kit #	Size
40581475	RK 288AZ1 T	1/4" - 3/8"
40581476	RK 288AZ1 T	1/2"
40581478	RK 288AZ1 T	3/4"

Kit includes: disk assembly (includes disk and disk float) and bonnet o-ring.

**289 B KITS**

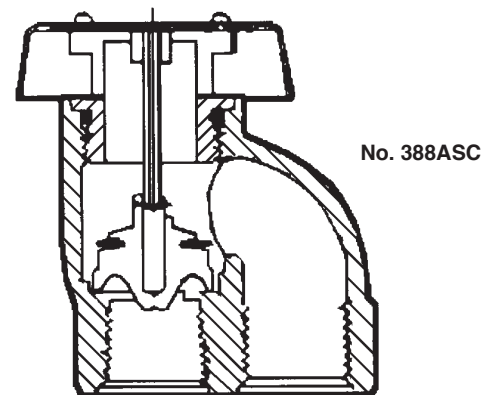
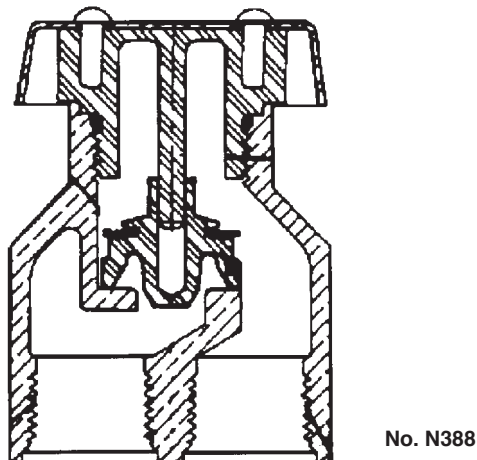
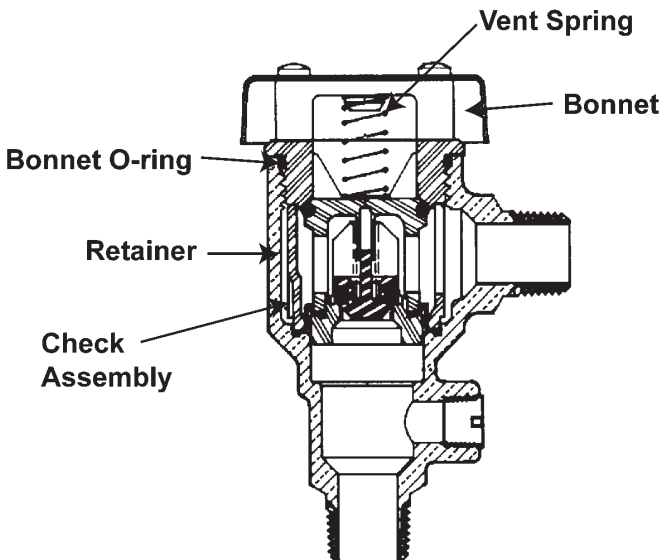
Part #	Kit #	Size
40587178	RK 289 B	3/8"-1/2"
40587196	Rk289 B	3/4"-1"

Kit includes: bonnet, bonnet o-ring and vent spring.

**289 T KITS**

Part #	Kit #	Size
40581477	RK 289 T	3/8" - 1/2"
40581479	RK 289 T	3/4" - 1"

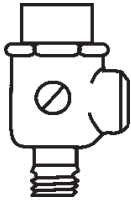
Kit includes: check assembly, vent spring, retainer and bonnet o-ring.



*Lead-Free Kits  
are now available!  
Please specify part  
number with "LF"  
suffix*

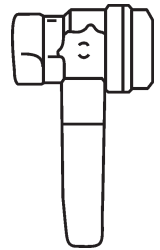
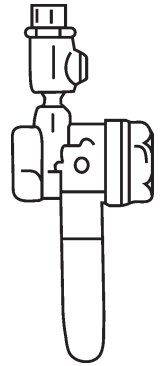


**WATTS ACCESSORIES**

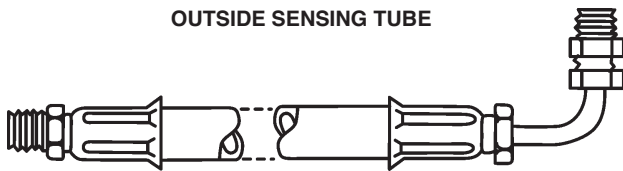


TEST COCKS			
Part #	Description	Size	Fits
40586630	TC-1 Test Cock	1/8" x 1/4"	To 1"
40586635	TC-2 Test Cock	1/4" x 1/4"	1-1/4" – 2"
40587000	1/2" Test Cock	1/2"	2 1/2" – 4"
40587003	3/4" Test Cock	3/4"	6" – 10"

BALL VALVE SHUTOFFS	
Part #	Description
40586750	3/4" Full Port
40586720	3/4" Full Port w/ Test Cock
40586755	1" Full Port
40586725	1" Full Port w/ Test Cock
40586765	1-1/2" Full Port
40586735	1-1/2" Full Port w/ Test Cock
40586770	2" Full Port
40586740	2" Full Port w/ Test Cock



**OUTSIDE SENSING TUBE**



HOSE ASSEMBLY KIT – OUTSIDE SENSING TUBE SERIES 909		
Part #	Description	Size
40581485	AK Hose Assembly	2-1/2" – 4"
40581487	AK Hose Assembly	6" – 8"

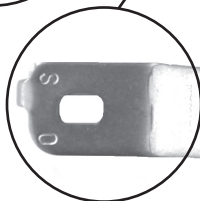
STAINLESS STEEL REPLACEMENT HANDLES "T" HANDLES		
Size	Non "F" Series	"F" Series
1/4 – 3/4"	NLA	40581127
1"	NLA	40581128

**NON "F" SERIES LEVER HANDLE (NO LONGER AVAILABLE)**



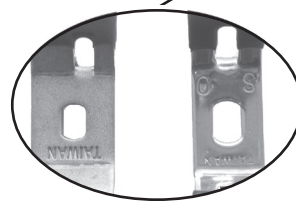
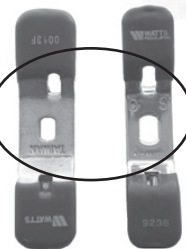
**"F" SERIES LEVER HANDLE**

**"F" SERIES VALVES HAVE "F" STAMPED IN CASTING OF VALVE**



STAINLESS STEEL REPLACEMENT HANDLES LEVER HANDLES			
Size	Non "F" Series	"F" Series Inlet	"F" Series Outlet
1, 1-1/4"	NLA*	40581711	NLA
1-1/2"	NLA	40581712	40581130
2"	NLA	40581713	40581131

**"F" SERIES "T" HANDLE**



**NON "F" SERIES "T" HANDLE**

\*NLA – No Longer Available



**Lead-Free Kits  
are now available!**  
Please specify part  
number with "LF"  
suffix

TOTAL MAINTENANCE SOLUTIONS  
**WILKINS**  
WATER CONTROL – A ZURN COMPANY

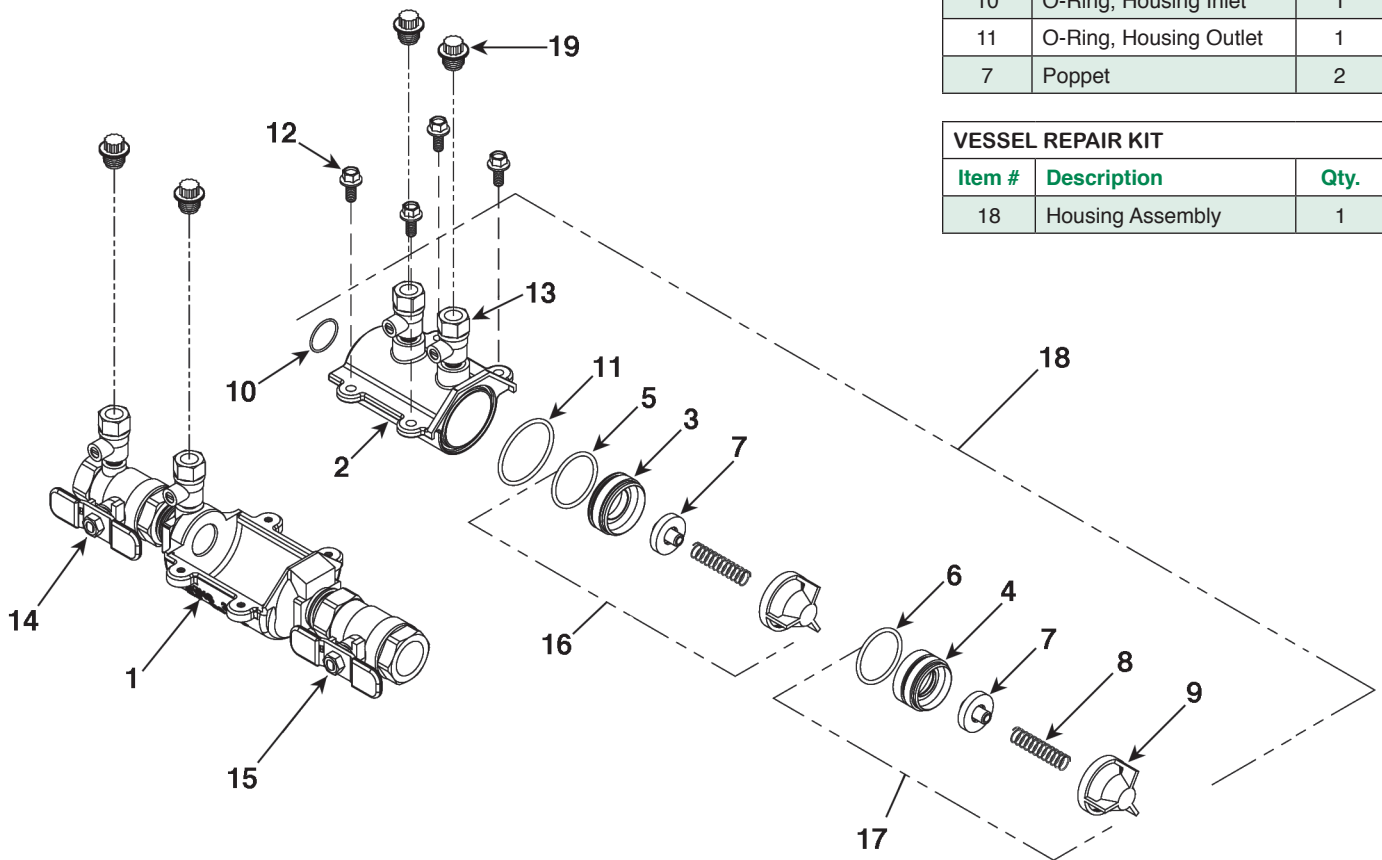
MODEL 350 DOUBLE CHECK  
3/4" & 1"

Repair Kits		
Description	Size 3/4"	Size 1"
Complete Repair Kit	40588000	40588003
Rubber Repair Kit	40588001	40588004
Vessel Assy RK	40588002	40588005

COMPLETE REPAIR KIT CONTENTS		
Item #	Description	Qty.
16	No. 1 Check Assembly	1
17	No. 2 Check Assembly	1
10	O-Ring, Housing Inlet	1
11	O-Ring, Housing Outlet	1

RUBBER REPAIR KIT CONTENTS		
Item #	Description	Qty.
5	O-Ring #1 Check Assy	1
6	O-Ring #2 Check Assy	1
10	O-Ring, Housing Inlet	1
11	O-Ring, Housing Outlet	1
7	Poppet	2

VESSEL REPAIR KIT		
Item #	Description	Qty.
18	Housing Assembly	1

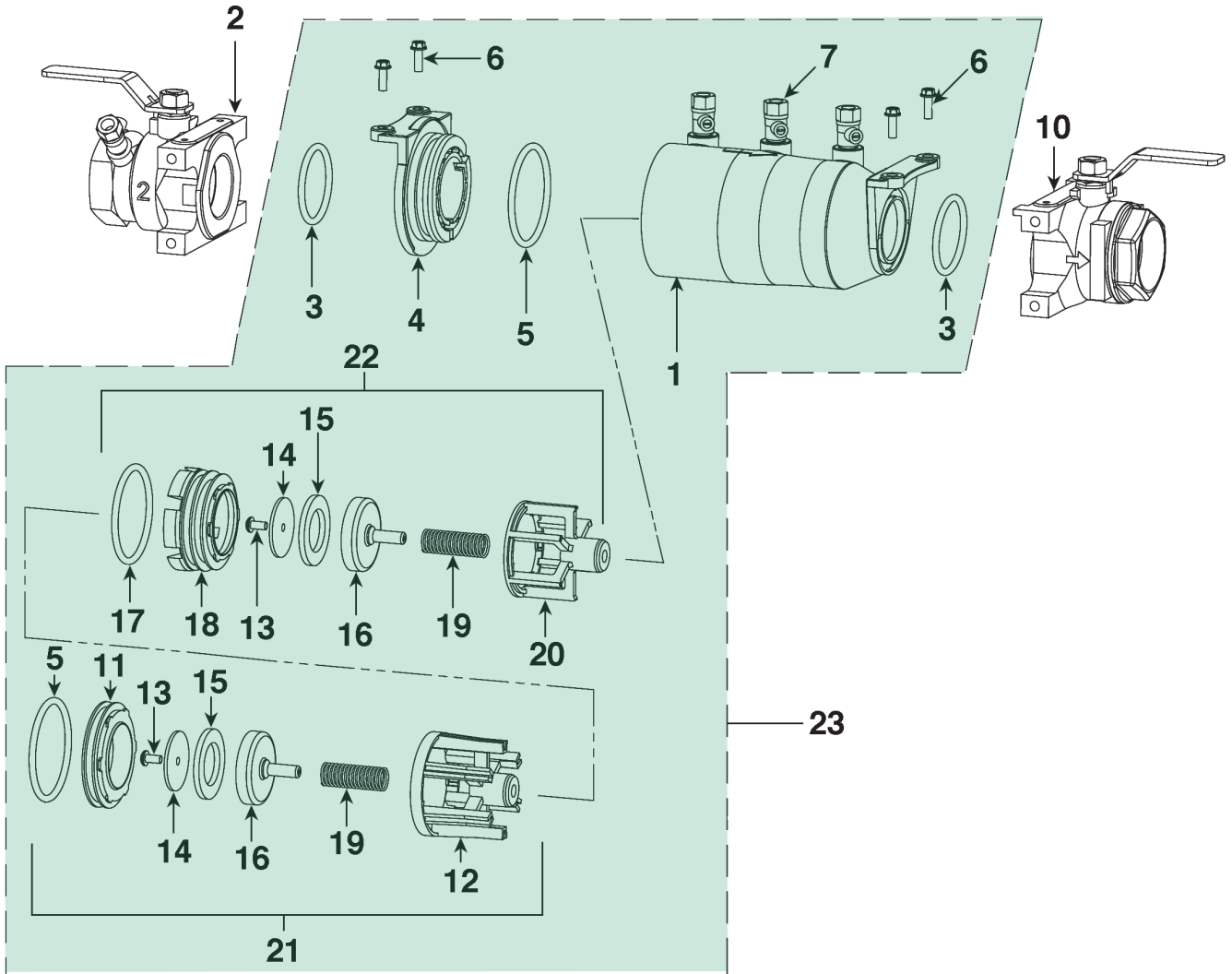


TOTAL MAINTENANCE SOLUTIONS  
**WILKINS**  
 WATER CONTROL – A ZURN COMPANY

Lead-Free Kits  
 are now available!  
 Please specify part  
 number with "LF"  
 suffix



MODEL 350 DOUBLE CHECK  
 1-1/4" & 2"



COMPLETE REPAIR KIT CONTENTS		
Item #	Description	Qty.
3	O-Ring	2
5	O-Ring	1
21	No. 1 Check Assembly	1
22	No. 2 Check Assembly	1

RUBBER REPAIR KIT CONTENTS		
Item #	Description	Qty.
3	O-Ring	2
5	O-Ring	2
15	Seal Washer	2
17	O-Ring	1

Repair Kits	
Description	Size 1-1/4" - 2"
Complete Repair Kit	40588006
Rubber Repair Kit	40588007
Vessel Assy RK	40588008

VESSEL REPAIR KIT	
Item #	Description
23	Vessel w/ Checks

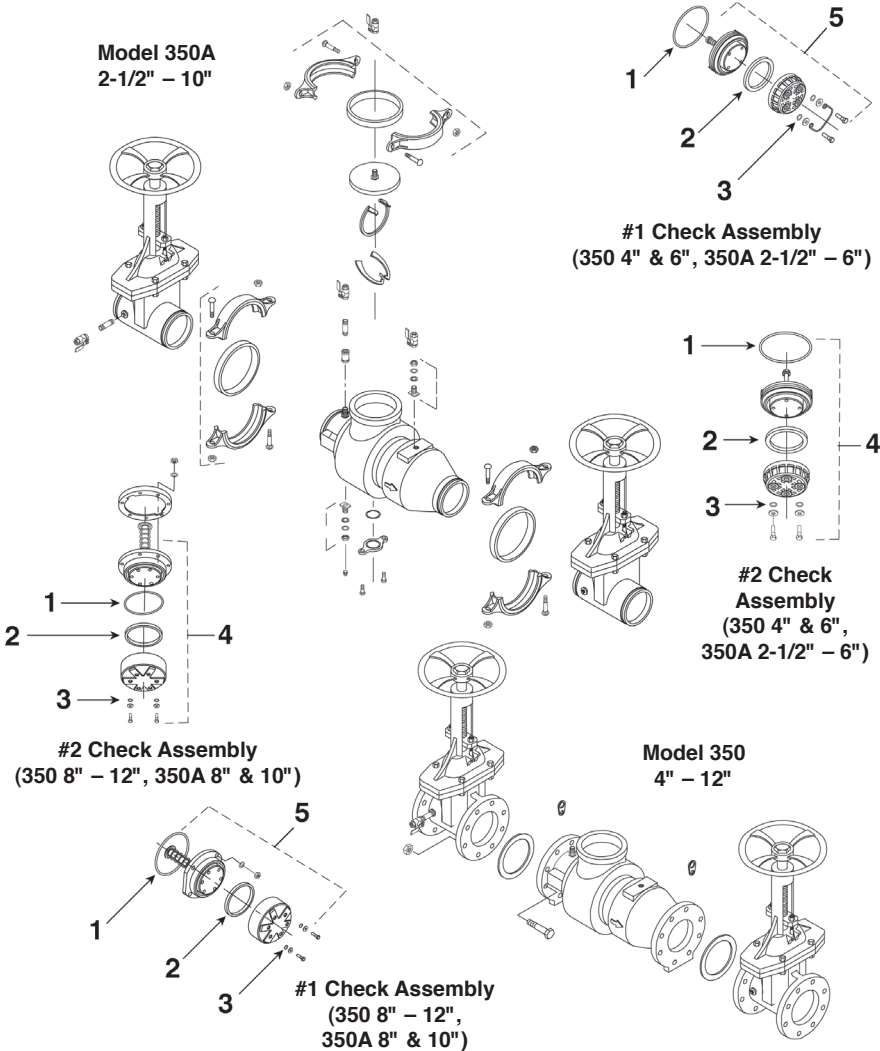




**Lead-Free Kits  
are now available!**  
Please specify part  
number with "LF"  
suffix

**TOTAL MAINTENANCE SOLUTIONS**  
**WILKINS**  
**WATER CONTROL – A ZURN COMPANY**

**MODEL 350 AND 350A DOUBLE CHECK  
2-1/2" – 10" (350A) AND 4" – 12" (350)**



REPAIR KIT CONTENTS		
Item	Description	Qty.
1	O-ring	2
2	Seal Ring	2
3	O-ring	8

CHECK ASSEMBLIES	
Item	Description
4	#2 Check Assembly (includes Seat Assembly, #2 Poppet, Poppet Retainer, Washers, O-rings and Poppet Retainer Bolts)
5	#1 Check Assembly (includes Seat Assembly, #1 Poppet, Poppet Retainer, Washers, O-rings and Poppet Retainer Bolts)

Repair Kits	
Description	Part #
Repair Kit for Model 350 4" and Model 350A 2-1/2", 3, 4"	40584350
Repair Kit for Model 350 & 350A, 6"	40586350
Repair Kit for Model 350 8", 10", 12" and Model 350A 8" and 10"	40588350

Check Assemblies							
Description	2-1/2"	3"	4"	6"	8"	10"	12"
#1 Check Assembly	40588009	40588009	40588009	40588013	40588014	40588014	40588014
#2 Check Assembly	40588011	40588011	40588011	40588038	40588016	40588016	40588016

Lead-Free Kits  
 are now available!  
 Please specify part  
 number with "LF"  
 suffix

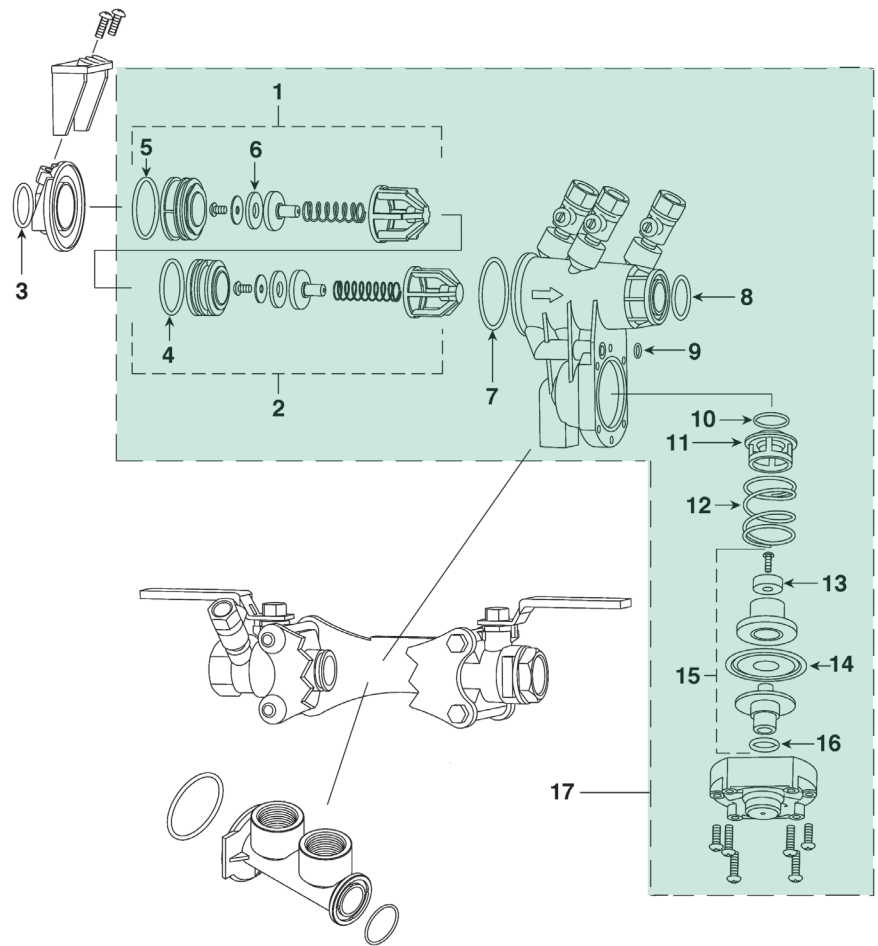


**MODEL 375 REDUCED PRESSURE PRINCIPLE**  
**3/4" – 1"**

COMPLETE REPAIR KIT		
Item #	Description	Qty.
1	#1 Check Assy	1
2	#2 Check Assy	1
3	O-Ring, Sleeve	1
7	O-Ring, Housing Inlet	1
8	O-Ring, Housing Outlet	1
9	O-Ring, RV Cover	1
10	O-Ring, RV Seat	1
11	Relief Valve Seat	1
12	Relief Valve Spring	1
15	RV Stem Assy	1

RUBBER RK CONTENTS		
Item #	Description	Qty.
3	O-Ring, Sleeve	1
4	O-Ring, #2 Check Seat	1
5	O-Ring, #1 Check Seat	1
6	Check Seal Ring	1
7	O-Ring, Housing Inlet	1
8	O-Ring, Housing Outlet	1
9	O-Ring, RV Cover	1
10	O-Ring, RV Seat	1
13	Relief Valve Seal Ring	1
14	Diaphragm	1
16	O-Ring, RV Stem	1

VESSEL ASSY REPAIR KIT CONTENTS	
Item #	Description
17	Vessel w/ Checks



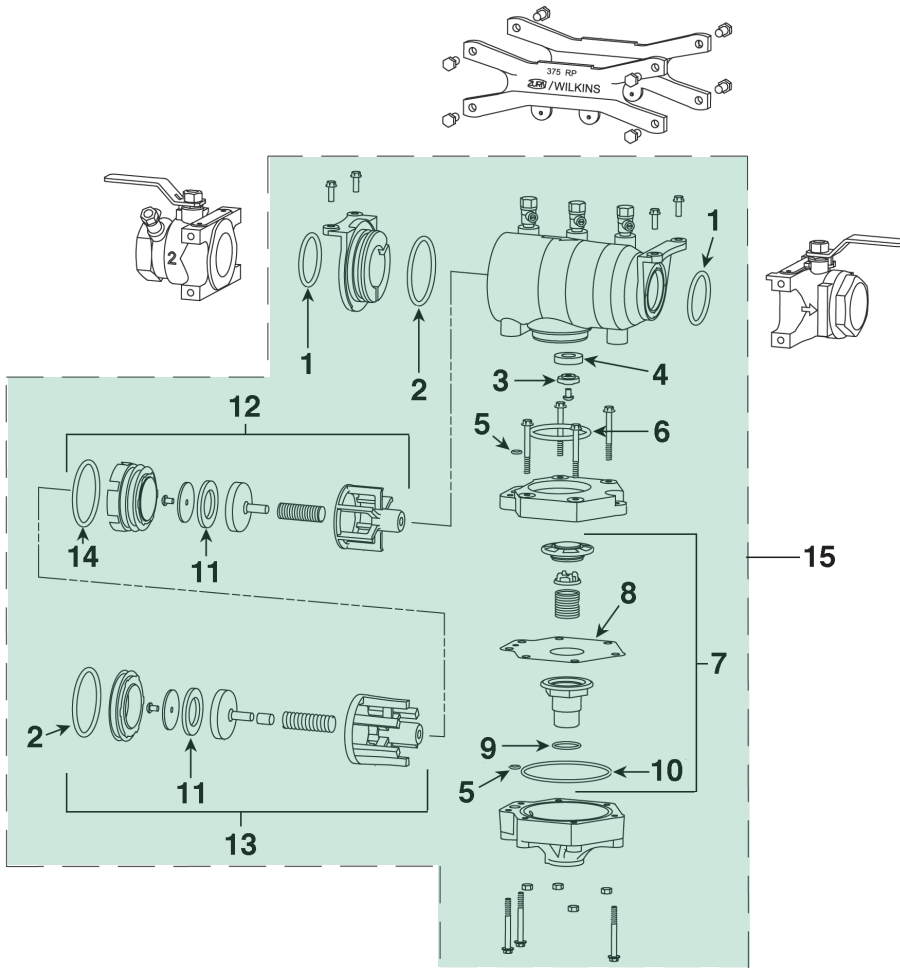
Repair Kits	Description	
	Size 3/4"	Size 1"
Complete Repair Kit	40588017	40588018
Rubber Repair Kit	40588019	40588021
Vessel Assy Repair Kit	40588022	40588023



Lead-Free Kits  
are now available!  
Please specify part  
number with "LF"  
suffix

TOTAL MAINTENANCE SOLUTIONS  
**WILKINS**  
WATER CONTROL – A ZURN COMPANY

MODEL 375 REDUCED PRESSURE PRINCIPLE  
1-1/4" – 2"



COMPLETE REPAIR KIT CONTENTS		
Item #	Description	Qty.
1	O-Ring	2
2	O-Ring	1
3	Seal Retainer	1
4	Seal Washer	1
5	O-Ring	2
6	O-Ring	1
7	Relief Valve Stem Assy	1
10	O-Ring	1
12	No. 2 Check Assembly	1
13	No. 1 Check Assembly	1

RUBBER REPAIR KIT CONTENTS		
Item #	Description	Qty.
1	O-Ring	2
2	O-Ring	2
11	Seal Washer	2
14	O-Ring	1
4	Seal Washer	1
6	O-Ring	1
5	O-Ring	2
8	O-Ring, RV Seat	1
9	Relief Valve Seal Ring	1
10	Diaphragm	1

VESSEL ASSY REPAIR KIT CONTENTS		
Item #	Description	Qty.
15	Vessel w/ Checks	1

Repair Kits	
Description	Size 1-1/4" - 2"
Complete Repair Kit	40588024
Rubber Repair Kit	40588025
Vessel Assy RK	40588026

TOTAL MAINTENANCE SOLUTIONS  
**WILKINS**  
 WATER CONTROL – A ZURN COMPANY

Lead-Free Kits  
 are now available!  
 Please specify part  
 number with "LF"  
 suffix

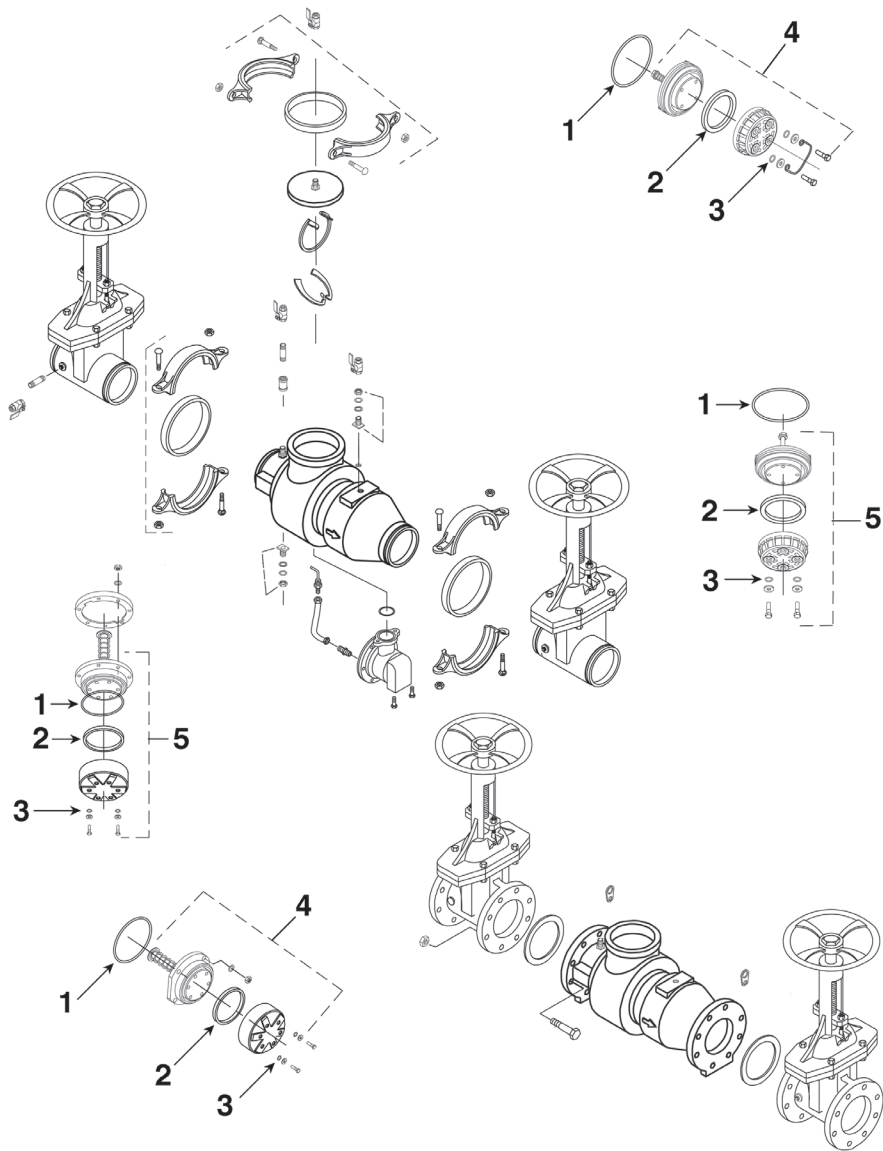


**MODEL 375 AND 375A**  
**REDUCED PRESSURE PRINCIPLE**  
 2-1/2" – 10" (375A) AND 4" – 10" (375)

REPAIR KIT CONTENTS		
Item	Description	Qty.
1	O-ring	2
2	Seal Ring	2
3	O-ring	8

CHECK ASSEMBLIES	
Item	Description
4	#1 Check Assembly (includes Seat Assembly, #1 Poppet, Poppet Retainer, Washers, O-rings and Poppet Retainer Bolts)
5	#2 Check Assembly (includes Seat Assembly, #2 Poppet, Poppet Retainer, Washers, O-rings and Poppet Retainer Bolts)

Repair Kits	
Description	Part #
Repair Kit for Model 375 4" and Model 375A 2-1/2", 3, 4"	40584350
Repair Kit for Model 375 & 375A, 6"	40586350
Repair Kit for Model 375 8", 10", 12" and Model 375A 8" and 10"	40588350



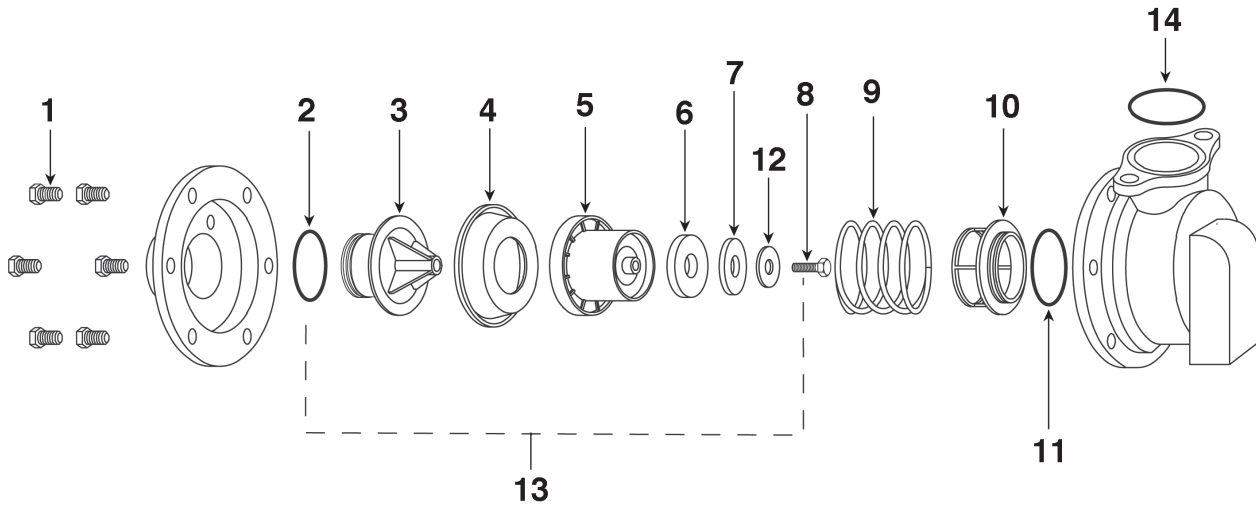
Check Assemblies	2-1/2"	3"	4"	6"	8"	10"
#1 Check Assembly	40588027	40588027	40588027	40588028	40588029	40588029
#2 Check Assembly	40588030	40588030	50588030	40588031	40588032	40588032



**Lead-Free Kits  
are now available!**  
Please specify part  
number with "LF"  
suffix

**TOTAL MAINTENANCE SOLUTIONS**  
**WILKINS**  
**WATER CONTROL – A ZURN COMPANY**

**MODEL 375, 375A, 475 & 475V, 375XL, 375AXL, 475XL AND 475XLV  
RELIEF VALVE  
2-1/2" – 10"**



RUBBER REPAIR KIT		
Item	Description	Qty.
6	Seal Ring	1
4	Diaphragm	1
2	O-ring	1
11	O-ring	1
14	O-ring	1

COMPLETE REPAIR KITS		
Item	Description	Qty.
6	Seal Ring	1
4	Diaphragm	1
2	O-ring	1
11	O-ring	1
14	O-ring	1
9	Spring	1

COMPLETE RELIEF VALVE CONTENTS		
Item	Description	Qty.
1	Cover Bolt	6 (2-1/2" – 6")
		8 (8" & 10")
2	O-ring	1
3	Upper Plunger	1
4	Diaphragm	1
5	Lower Plunger	1
6	Seal Ring	1
7	Seal Retainer	1
8	Screw	1
9	CU Spring	1
10	CU Seat	1
11	O-ring	1
12	Washer (8" & 10" only)	1
13	Stem Assembly	1
14	O-ring	1

Repair Kits		
Description	Size 2-1/2" – 6"	Size 8" & 10"
Rubber Repair Kit	40582375	40588033
Complete Repair Kit	40588034	40588035
Complete Relief Valve	40588036	40588037

TOTAL MAINTENANCE SOLUTIONS  
**WILKINS**  
 WATER CONTROL – A ZURN COMPANY

Lead-Free Kits  
 are now available!  
 Please specify part  
 number with "LF"  
 suffix

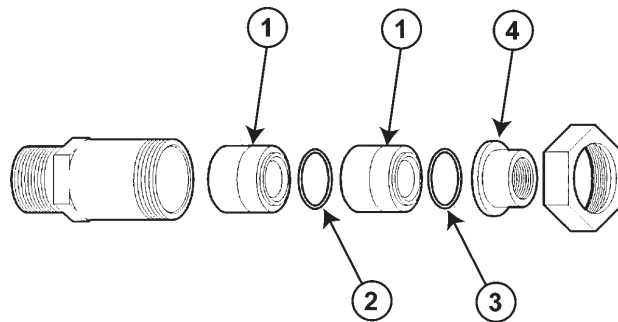


**MODEL 700 DUAL CHECK**  
 1/4", 3/8", 1/2", 3/4" & 1"

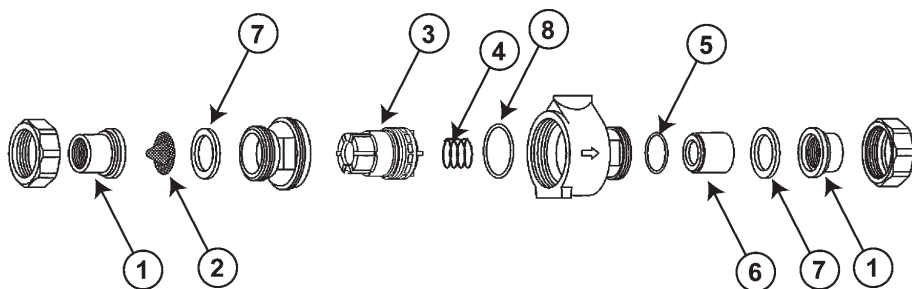
REPAIR KIT CONTENTS 1/4", 3/8" & 1/2"		
Item #	Description	Qty.
1	Poppet Assembly	2
2	O-Ring	1
3	Washer/O-Ring	1

REPAIR KIT CONTENTS 3/4" & 1"		
Item #	Description	Qty.
1	Poppet Assembly	2
2	O-Ring	2

Description	Part #	
	Size 1/4"-1/2"	Size 3/4"-1"
Repair Kit	40584700	40584702

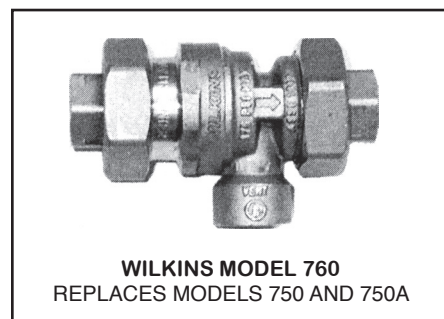


**MODEL 750 AND 750A DUAL CHECK WITH ATMOSPHERIC VENT**  
 1/2" & 3/4"  
 REPAIR KITS NLA



750 AND 75A KIT CONTENTS 1/2" & 3/4"		
Item #	Description	Qty.
2	Screen	1
3	No. 1 Check Assembly	1
4	Spring Zone	1
5	O-Ring	1
6	No. 2 Check Assembly	1
7	Gasket	2
8	O-ring	1

Repair Kits	
Description	Part #
750 Repair Kit	NLA
750A Repair Kit	NLA



\*NO REPAIR KIT FOR THE 760

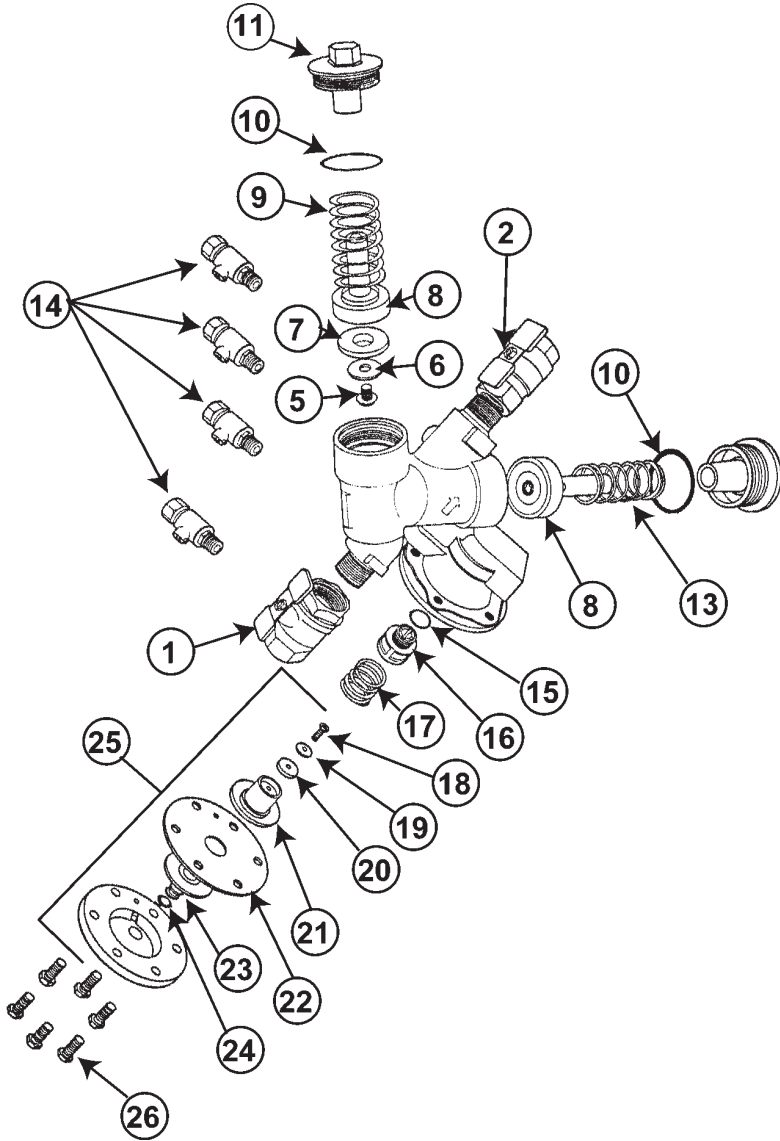




**Lead-Free Kits**  
are now available!  
Please specify part  
number with "LF"  
suffix

TOTAL MAINTENANCE SOLUTIONS  
**WILKINS**  
WATER CONTROL – A ZURN COMPANY

MODEL 950DC & 975RP  
BACKFLOW PREVENTERS  
3/4" – 2"



COMPLETE REPAIR KIT CONTENTS MODEL 950		
Item #	Description	Qty.
7	Seal Ring	2
9	Check Springs	2
10	Cover O-Ring	2

RUBBER PARTS KIT CONTENTS MODEL 950		
Item #	Description	Qty.
7	Seal Ring	2
10	Cover O-Ring	2

RUBBER PARTS KIT CONTENTS MODEL 975		
Item #	Description	Qty.
7	Seal Ring	2
10	Cover O-Ring	2
20	Washer	1
22	Diaphragm	1
24	R.V. Seal O-Ring	1

COMPLETE REPAIR KIT MODEL 975		
Item #	Description	Qty.
7	Seal Ring	2
9	1st Check Spring	1
10	Cover O-Ring	2
17	Relief Valve Spring	1
13	2nd Check Spring	1
20	Relief Valve Seal Ring	1
22	RV Diaphragm	1
24	RV Stem O-Ring	1

Repair Kits		
Description	Size 3/4" – 1"	Size 1-1/4" – 2"
Complete Repair Kit for Model 950	40583495	40583497
Rubber Kit for Model 950	40583496	40583498
Complete Repair Kit for Model 975	40585977	40585978
Rubber Kit for Model 975	40585979	40585980

TOTAL MAINTENANCE SOLUTIONS  
**WILKINS**  
 WATER CONTROL – A ZURN COMPANY

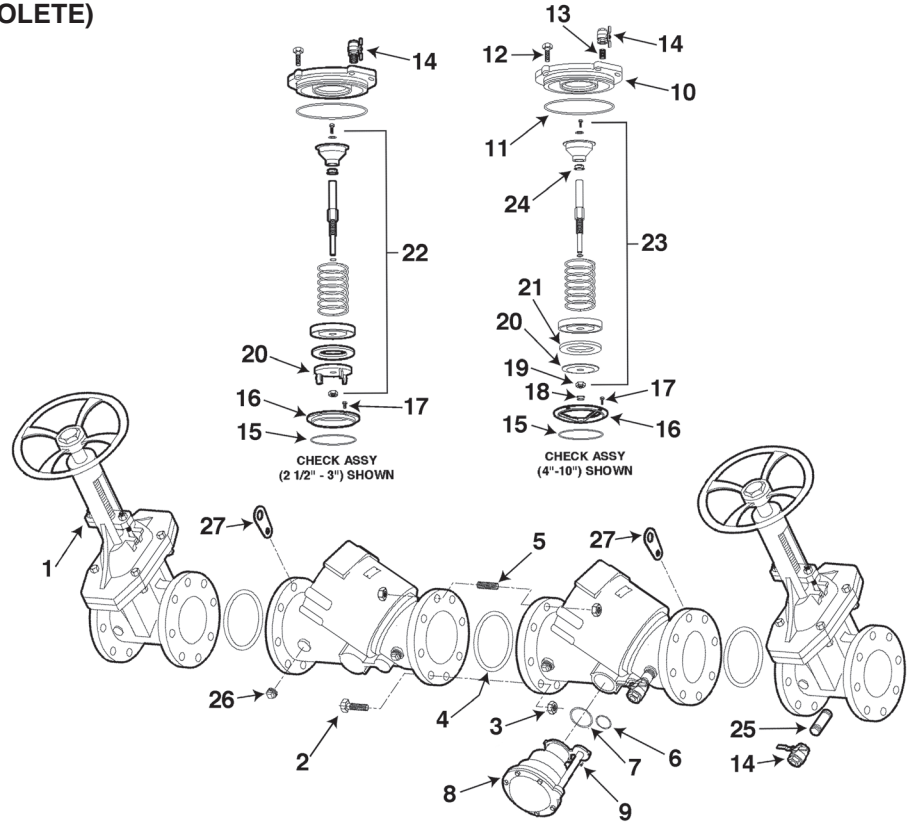
*Lead-Free Kits  
 are now available!  
 Please specify part  
 number with "LF"  
 suffix*



**MODEL 950 (OBSOLETE) & 975 (OBSOLETE)**  
 2-1/2" – 10"

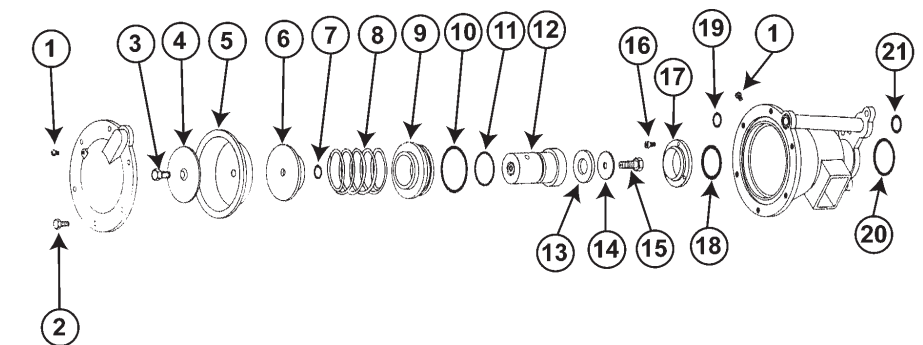
RUBBER PARTS KIT CONTENTS		
Item #	Description	Qty.
11	O-Ring, Cover	2
21	Seal Ring	2

Repair Kits	
Size	Part #
2-1/2" – 3"	40580992
4"	40580993
6"	40580994
8"	40580995
10"	40580996



**MODEL 975 RELIEF VALVE**  
 2-1/2" – 10"

COMPLETE RELIEF VALVE REPAIR KIT CONTENTS		
Item #	Description	Qty.
5	Diaphragm	1
7	O-Ring	1
8	Spring	1
10	O-Ring, Stem-Guide	1
11	O-Ring, Stem	1
13	Seal Ring	1
19	O-Ring, Cover	1
20	O-Ring, Large	1
21	O-Ring, Small	1



RUBBER PARTS KIT CONTENTS		
Item #	Description	Qty.
5	Diaphragm	1
7	O-Ring	1
10	O-Ring, Stem-Guide	1
11	O-Ring, Stem	1
13	Seal Ring	1
19	O-Ring, Sensing Line	1
20	O-Ring, Large	1
21	O-Ring, Small	1

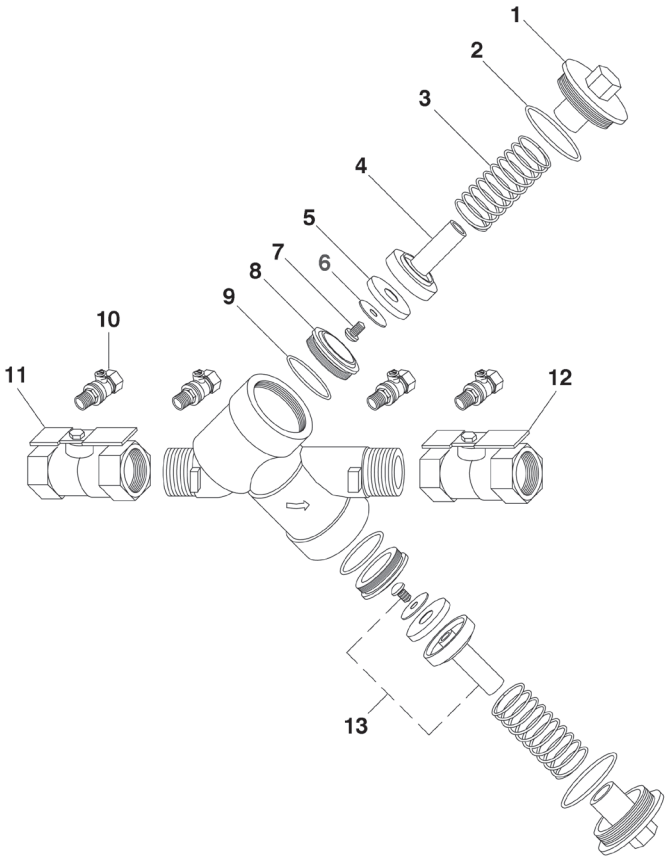
Repair Kits		
Description	Size 2-1/2" – 6"	Size 8" & 10"
Relief Valve Rubber Parts Kit –	40580988	40580989
Relief Valve Repair Kit –	40580990	40580991



**Lead-Free Kits  
are now available!**  
Please specify part  
number with "LF"  
suffix

**TOTAL MAINTENANCE SOLUTIONS**  
**WILKINS**  
**WATER CONTROL – A ZURN COMPANY**

**MODEL 950XL DOUBLE CHECK  
3/4" – 2"**



COMPLETE REPAIR KIT CONTENTS		
Item #	Description	Qty.
2	O-Ring, Cover	2
3	Check Spring	2
5	Seal Ring	2

RUBBER REPAIR KIT CONTENTS		
Item #	Description	Qty.
2	O-Ring, Cover	2
5	Seal Ring	2

Repair Kits		
Description	Size 3/4" - 1"	Size 1-1/4" - 2"
Complete Repair Kit	40583495	40583497
Rubber Repair Kit	40583496	40583498
Complete Rebuild Kit	40588039	40588040
Check Spring	40585233	40585433

COMPLETE REBUILD KIT		
Item	Description	Qty
2	O-ring, Cover	2
3	Spring #2	2
8	Check Seat	2
9	O-ring, Check Seat	2
13	Poppet Assembly	2
NS	Instruction Sheet	1
NS	Plastic Bag	1
NS	Silicone Grease Pillow Pk	1

**WILKINS ACCESSORIES**



**SEAT TOOL KIT**  
Seat Tool Kit for Model 950XL/975XL. Kit contains 3 tools for check valves and RV: 1/4" – 1/2", 3/4" – 1", and 1-1/4" – 2.

TMS Part # 40586694



40588554 & 40588556      40588558 & 40588572

BALL TYPE TEST COCKS	
Description	Part #
1/8" x 1/4" Standard	40588554
1/4" x 1/4" Standard	40588556
1/8" x 1/4" Fast Type Test Cock	40588558
1/4" x 1/4" Fast Type Test Cock	40588572

**MORE WILKINS BACKFLOW ACCESSORIES ON PAGE 75**  
**MORE BACKFLOW ACCESSORIES ON PAGE 86**

TOTAL MAINTENANCE SOLUTIONS  
**WILKINS**  
 WATER CONTROL – A ZURN COMPANY

Lead-Free Kits  
 are now available!  
 Please specify part  
 number with "LF"  
 suffix



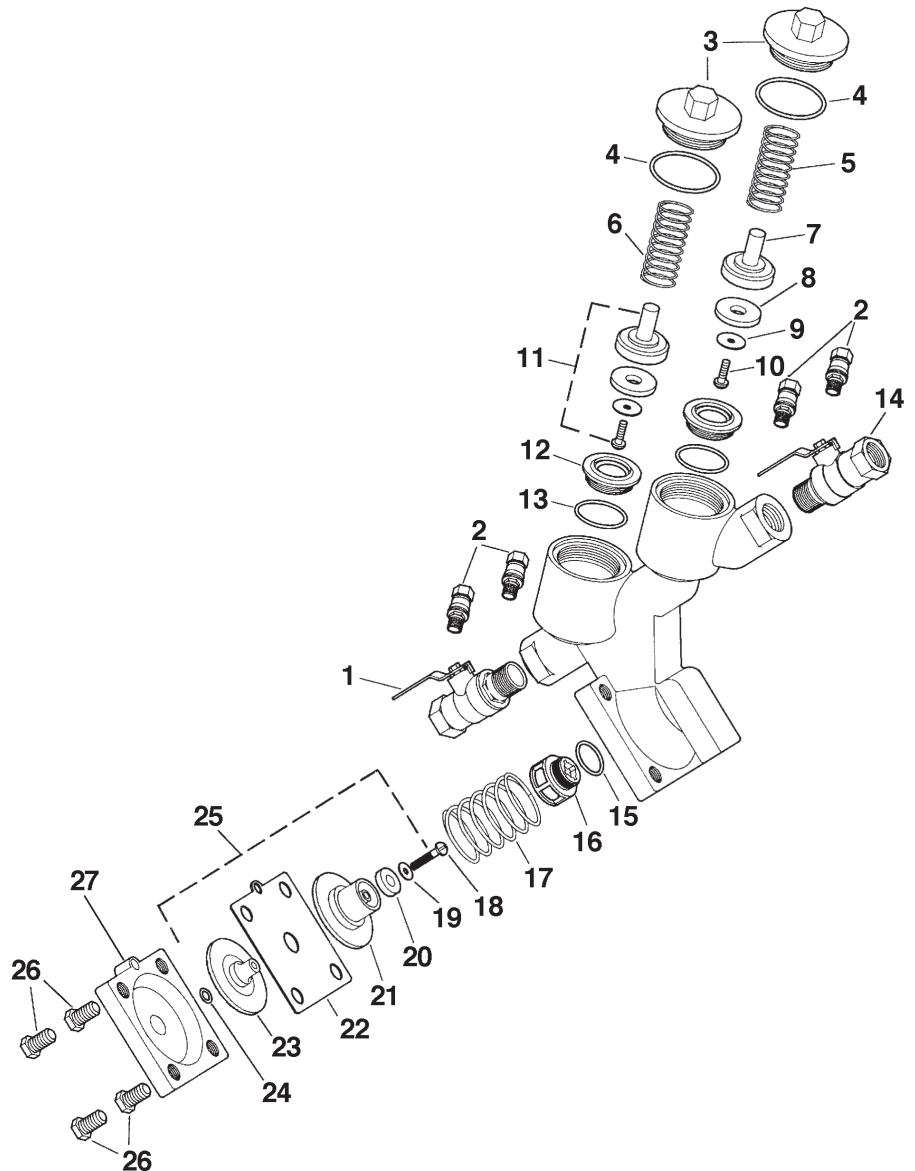
MODEL 975XL REDUCED PRESSURE PRINCIPLE  
 1/4" – 1/2"

COMPLETE REPAIR KIT CONTENTS		
Item #	Description	Qty.
4	O-Ring, Cover	2
5	No. 2 Check Spring	1
6	No. 1 Check Spring	1
8	Seal Ring	2
17	Relief Valve Spring	1
20	Relief Valve Seal Ring	1
22	Relief Valve Diaphragm	1
24	O-Ring, Relief Valve Stem	1

RUBBER REPAIR KIT CONTENTS		
Item #	Description	Qty.
4	O-Ring, Cover	2
8	Seal Ring	2
20	Relief Valve Seal Ring	1
22	Relief Valve Diaphragm	1
24	O-Ring, Relief Valve Stem	1

COMPLETE REBUILD KIT CONTENTS		
Item	Description	Qty
4	O-ring, Cover	2
5	Spring #2,	1
6	Spring #1	1
11	Poppet Assembly	2
12	Seat	2
13	O-ring	2
16	Relief Valve Seat	1
17	Relief Valve Spring	1
25	Relief Valve Stem Assembly	1
NS	Instruction Sheet	1
NS	O-ring	1
NS	Plastic Bag	1
NS	Silicone Grease Pillow Pk	1

Repair Kits	
Description	Size 1/4" - 1/2"
Complete Repair Kit	40581497
Rubber Repair Kit	40585976
RV Spring	40589713
Complete Rebuild Kit	40588041

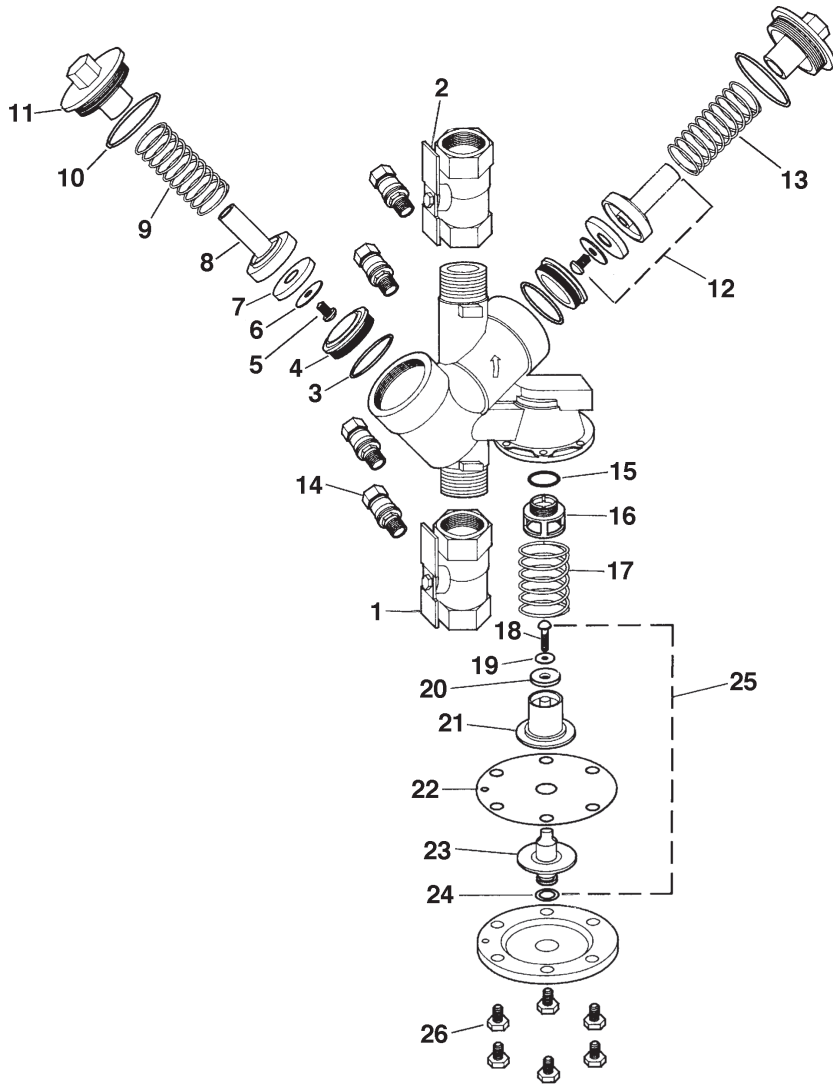




**Lead-Free Kits**  
are now available!  
Please specify part  
number with "LF"  
suffix

TOTAL MAINTENANCE SOLUTIONS  
**WILKINS**  
WATER CONTROL – A ZURN COMPANY

MODEL 975XL REDUCED PRESSURE PRINCIPLE  
3/4" – 2"



COMPLETE REPAIR KIT CONTENTS		
Item #	Description	Qty.
7	Seal Ring	2
9	No. 1 Check Spring	1
10	O-Ring, Cover	2
13	No. 2 Check Spring	1
17	Relief Valve Spring	1
20	Relief Valve Seal Ring	1
22	Relief Valve Diaphragm	1
24	O-Ring, Relief Valve Stem	1

RUBBER REPAIR KIT CONTENTS		
Item #	Description	Qty.
7	Seal Ring	2
10	O-Ring, Cover	2
20	Relief Valve Seal Ring	1
22	Relief Valve Diaphragm	1
24	O-Ring, Relief Valve Stem	1

COMPLETE REBUILD KIT		
Item	Description	Qty.
3	Check Seat O-ring	2
4	Check Seat	2
9	Spring #1	1
10	O-ring, Cover	2
12	Poppet Assembly	2
13	Spring #2	1
15	O-ring	1
16	Relief Valve Seat	1
17	Relief Valve Spring	1
25	Relief Valve Stem Assembly	1
NS	O-ring	1
NS	Silicone Grease Pillow Pk	1
NS	Instruction Sheet	1
NS	Plastic Bag	1

REPAIR KITS		
Description	Size 3/4" - 1"	Size 1-1/4" - 2"
Complete Repair Kit	40585977	40585978
Rubber Repair Kit	40585979	40585980
RV Spring	40589723	40589725
Complete Rebuild Kit	40588042	40588043

FREQUENTLY ORDERED REPAIR PARTS		
Item #	Description	Part #
3	O-ring, 3/4"-1"	40581250
4	Seat, 3/4"-1"	40585218
3	O-ring, 1-1/4" - 2"	40581420
4	Seat, 1-1/4" - 2"	40585418

TOTAL MAINTENANCE SOLUTIONS  
**WILKINS**  
 WATER CONTROL – A ZURN COMPANY

Lead-Free Kits  
 are now available!  
 Please specify part  
 number with "LF"  
 suffix



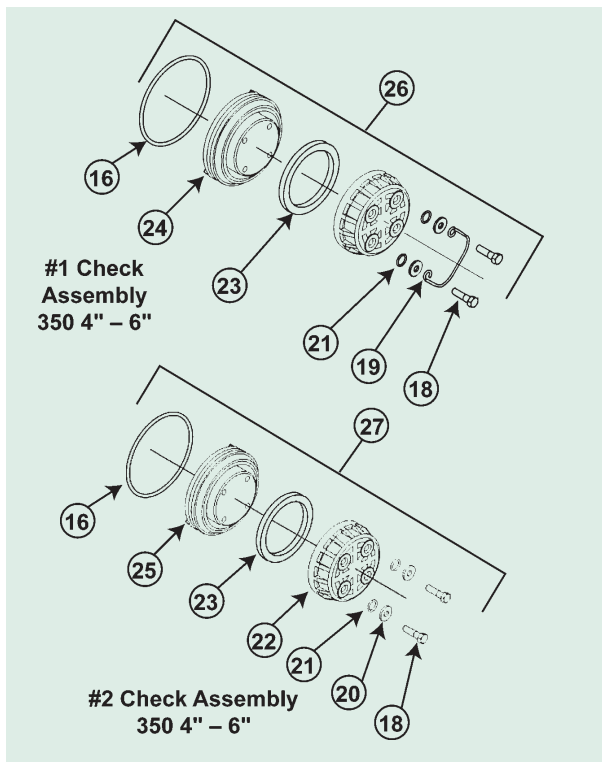
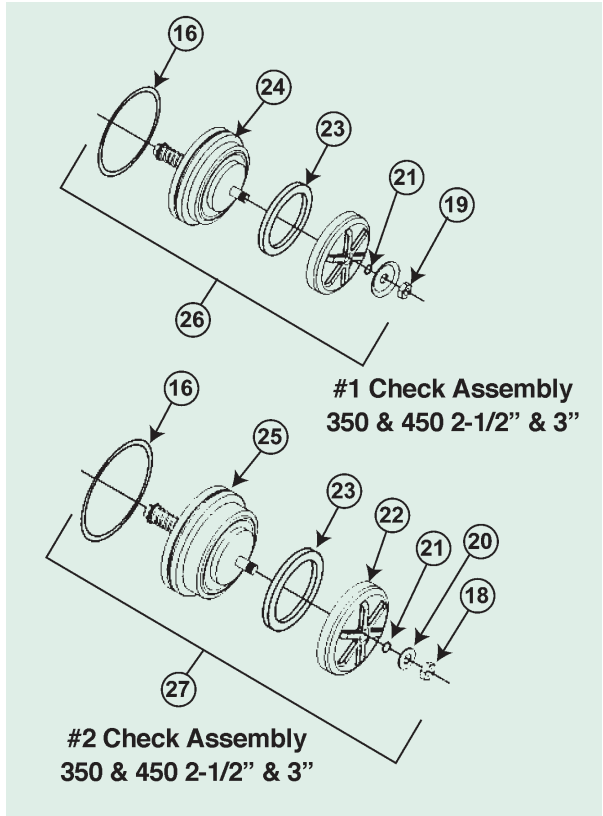
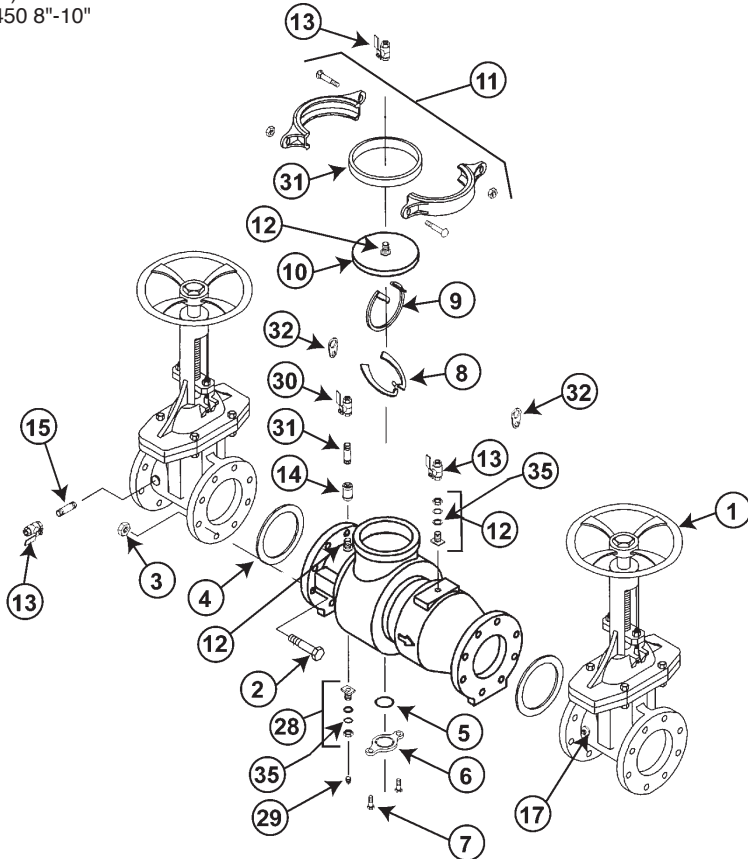
MODEL 350 (4"–8"), 350A (4" – 10") & 450 DOUBLE CHECK  
 2-1/2" – 10"

REPAIR KIT CONTENTS		
Item #	Description	Qty.
16	O-Ring	2
21	O-Ring	*
23	Seal Ring	2

\* Quantity in 2-1/2" & 3" Kit = 2  
 Quantity in 4" & 6" Kit = 8

Repair Kits	
Size	Part #
2-1/2"	40582350 (1)
3"	40582350
4"	40584350 (2)
6"	40586350 (3)
8", 10", 12"	40588350 (4)

- (1) Fits 350 & 450, 2-1/2" – 3"
- (2) Fits 350 - 4" and 350A 2-1/2" – 4"
- (3) Fits 350, 350A and 450, 6"
- (4) Fits 350 - 8" – 12" and 350A 8" – 10" and 450 8"-10"



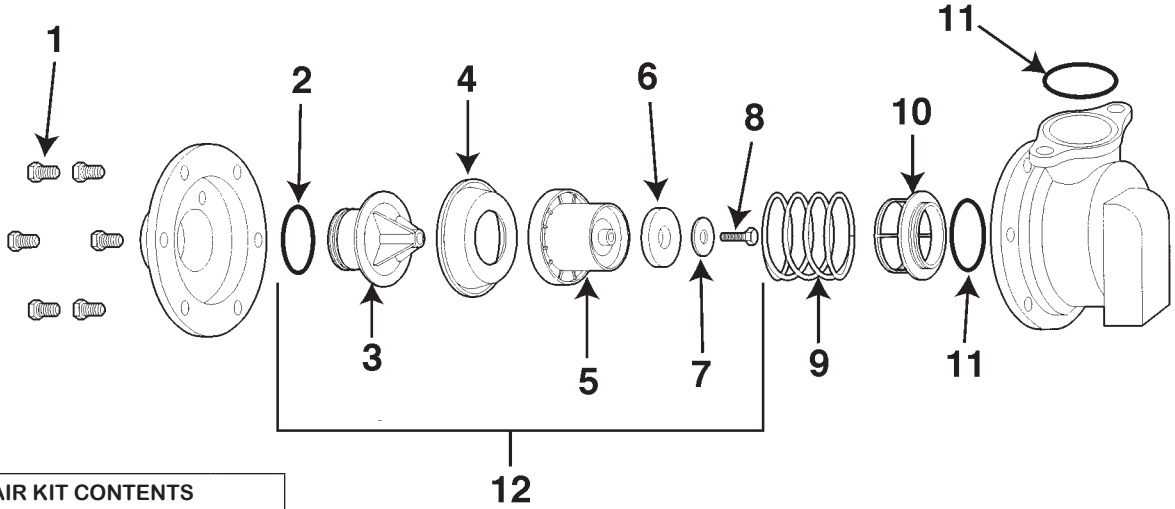




**Lead-Free Kits**  
are now available!  
Please specify part  
number with "LF"  
suffix

TOTAL MAINTENANCE SOLUTIONS  
**WILKINS**  
WATER CONTROL – A ZURN COMPANY

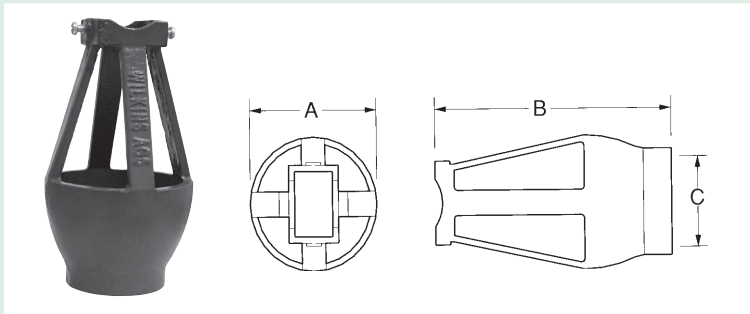
MODEL 375, 475 & 475V RELIEF VALVE  
2-1/2" – 6"



RUBBER REPAIR KIT CONTENTS		
Item #	Description	Qty.
2	O-Ring	1
4	Diaphragm	1
6	Seal Ring	1
11	O-Ring	2

Repair Kit	
Size	Part #
2-1/2" – 6"	40582375

**WILKINS ACCESSORIES**



Air Gaps						
MODEL	SIZES	DIMENSIONS			PART #	FITS MODEL
		A	B	C OUTLET PIPE SIZE		
AG-8	1/4"-1/2"	2.50	3.50	1" NPT	40589551	975XL
AG-4	3/4"-1"	3.25	5.00	1" NPT	40589553	975XL
AG-5	1-1/4" – 2"	4.50	8.00	2" NPT	40589555	975XL
AG-6	2-1/2" – 6"	5.375	10.00	3" NPT	40589557	375, 475
AG-7	8" – 10"	7.00	11.00	4" NPT	40589559	375, 475



Stainless Steel Ball Valve Handles	
<b>"T" TYPE</b>	
Description	Part #
3/4"	40588075
1"	40588010
<b>LEVER TYPE</b>	
Description	Part #
1-1/4"	40588012
1-1/2"	40588015
2"	40588020

TOTAL MAINTENANCE SOLUTIONS  
**WILKINS**  
 WATER CONTROL – A ZURN COMPANY

Lead-Free Kits  
 are now available!  
 Please specify part  
 number with "LF"  
 suffix

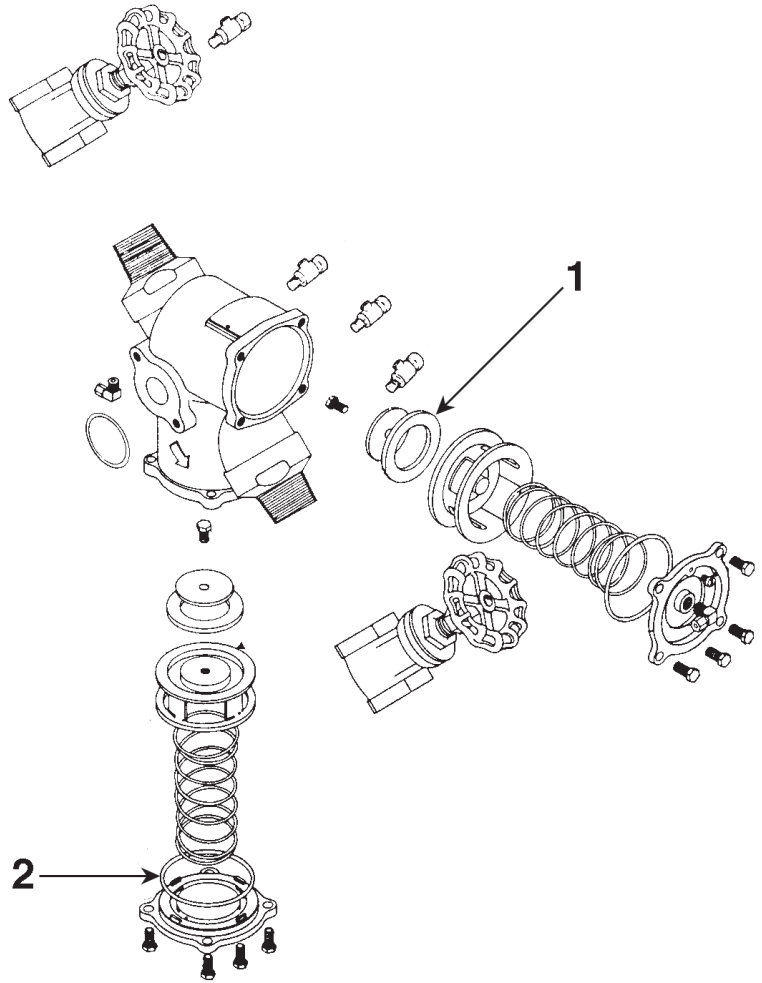


**MODEL 550 DOUBLE CHECK**  
 3/4" – 2"

RUBBER KIT CONTENTS MODEL 550		
Item #	Description	Qty.
1	Seal Ring, 3/4"-1" Poppet	2
2	Cover O-Ring	2
2	Cover O-Ring (Screw-on) (3/4"-1")	2

Repair Kit		
Description	Size 3/4" – 1"	Size 1-1/4"-2"
Rubber Parts Kit	40581007	40581008

**Note:** 550 and 575 have been discontinued. Only rubber parts are available for repairs.

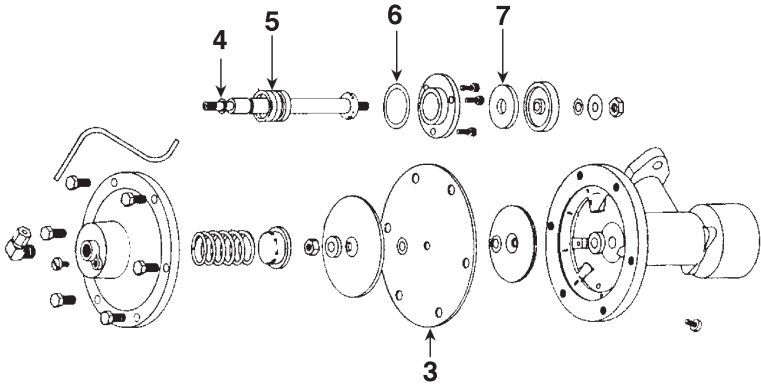




**Lead-Free Kits  
are now available!**  
Please specify part  
number with "LF"  
suffix

**TOTAL MAINTENANCE SOLUTIONS**  
**WILKINS**  
**WATER CONTROL – A ZURN COMPANY**

**MODEL 575**  
**3/4" – 1"**

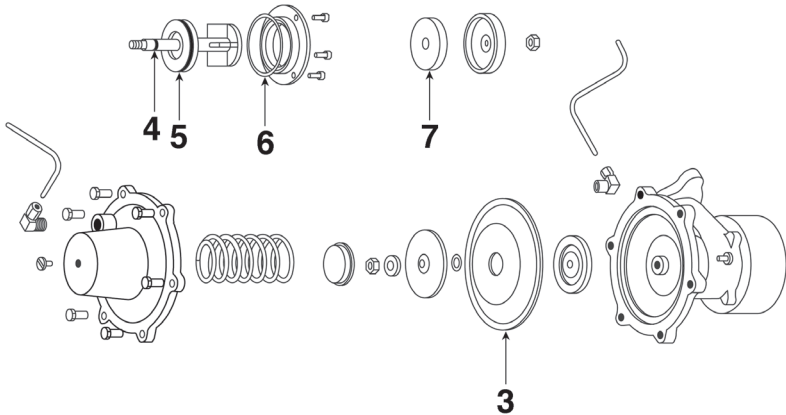


MODEL 575 RELIEF VALVE 3/4" – 1"

Repair Kit	
Description	Size 3/4" – 1"
575 Complete Rubber Repair Kit	40581017

COMPLETE RUBBER REPAIR KIT CONTENTS FOR MODEL 575 3/4" – 1"		
Item #	Description	Qty.
6	Seal Ring (See Model 550 previous page)	2
9	Cover O-Ring (See Model 550 previous page)	2
3	Diaphragm (Relief Valve)	1
4	O-Ring (Control Unit)	1
5	O-Ring (Control Unit)	1
6	O-Ring (Control Unit)	1
7	Seal Ring (Control Unit)	1
	Relief Valve Gasket (not shown, 3/4" – 1" only)	1

**MODEL 575**  
**1-1/4" – 2"**



MODEL 575 RELIEF VALVE 1-1/4", 1-1/2", 2"

Repair Kit	
Description	Size 1-1/4" – 2"
575 Complete Rubber Repair Kit	40581021

COMPLETE RUBBER REPAIR KIT CONTENTS FOR MODEL 575 1-1/4" – 2"		
Item #	Description	Qty.
6	Seal Ring (See Model 550 previous page)	2
9	Cover O-Ring (See Model 550 previous page)	2
3	Diaphragm (Relief Valve)	1
4	O-Ring (Control Unit)	1
5	Quad Ring (Control Unit)	1
6	O-Ring (Control Unit)	1
7	Seal Ring (Control Unit)	1

**Note:** 550 and 575 have been discontinued. Only rubber parts are available for repairs.

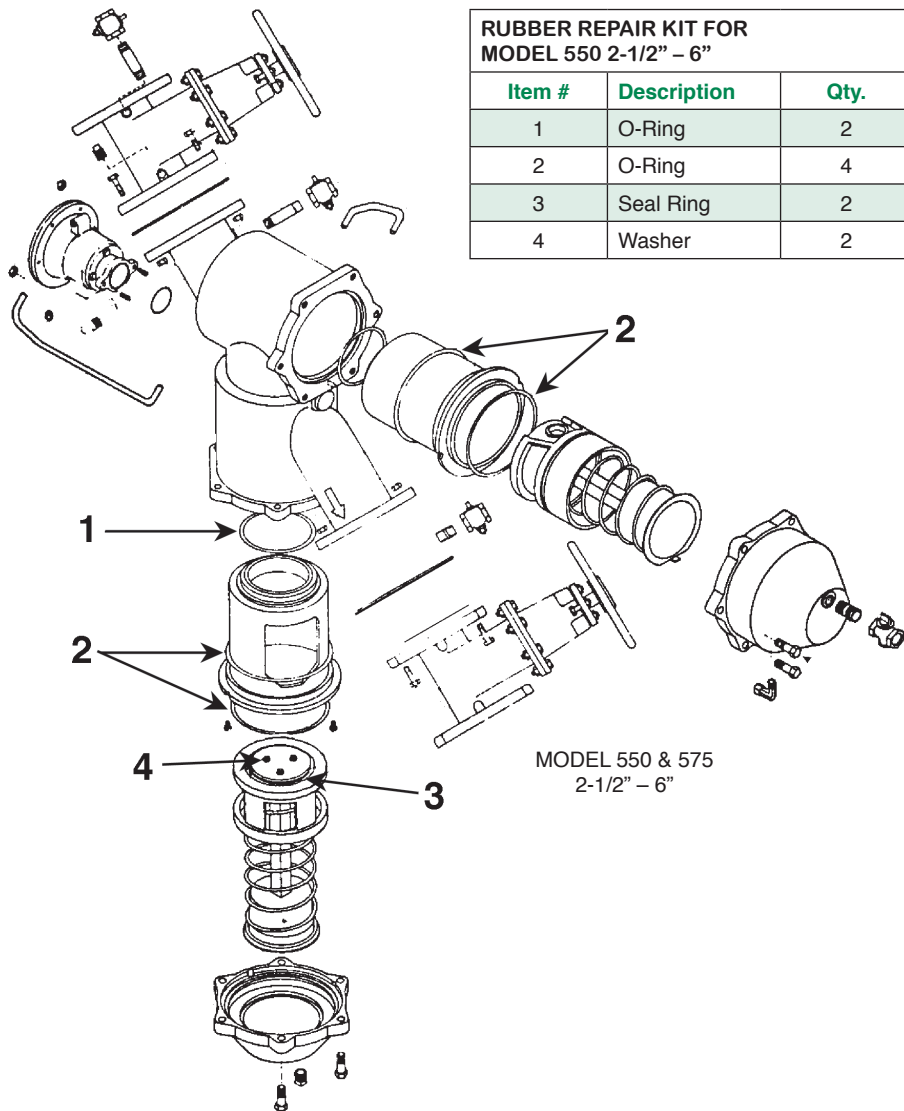
TOTAL MAINTENANCE SOLUTIONS  
**WILKINS**  
 WATER CONTROL – A ZURN COMPANY

Lead-Free Kits  
 are now available!  
 Please specify part  
 number with "LF"  
 suffix



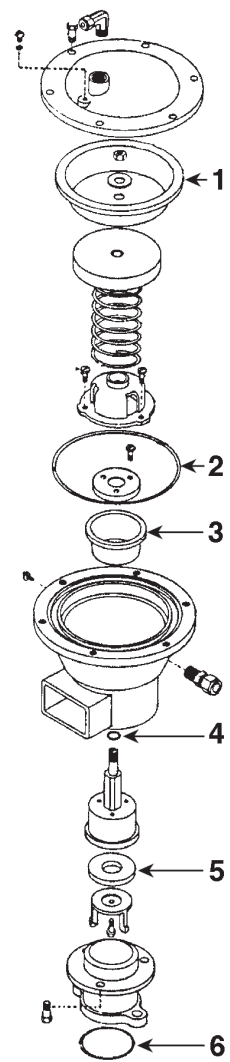
**MODEL 550 AND 575**  
 2-1/2" – 6"

**Note:** 550 and 575 have been discontinued. Only rubber parts are available for repairs.



RUBBER REPAIR KIT FOR MODEL 550 2-1/2" – 6"		
Item #	Description	Qty.
1	O-Ring	2
2	O-Ring	4
3	Seal Ring	2
4	Washer	2

MODEL 550 & 575  
 2-1/2" – 6"



RELIEF VALVE  
 2-1/2" – 6"

Repair Kits			
Description	Size 2-1/2" - 3"	Size 4"	Size 6"
Rubber Kit	40580976	40580977	40580978
Relief Valve Kit	40580979	40580979	40580979

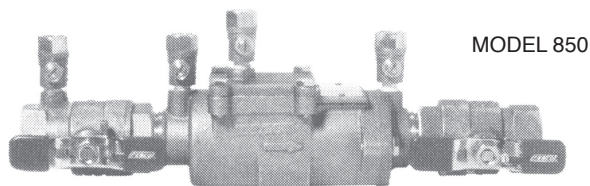
RELIEF VALVE REPAIR KIT FOR MODEL 575 2-1/2" – 6"		
Item #	Description	Qty.
1	Control Diaphragm (Large)	1
2	O-Ring	1
3	Control Diaphragm (Small)	1
4	O-Ring	1
5	Seal Ring	1
6	O-Ring	1



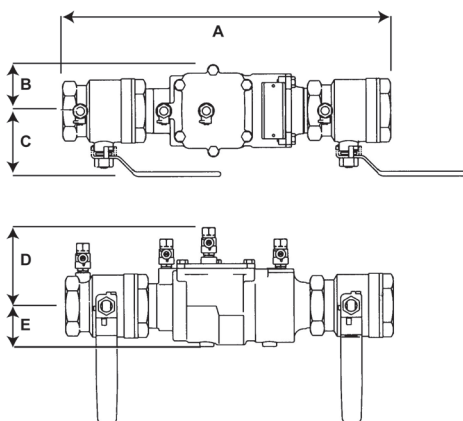
TOTAL MAINTENANCE SOLUTIONS

# TOTAL MAINTENANCE SOLUTIONS COMPLETE ASSEMBLIES FROM MAJOR MANUFACTURERS

## FEBCO DOUBLE CHECK ASSEMBLIES MODEL 850



MODEL 850

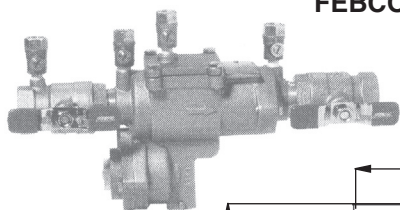


COMPLETE ASSEMBLIES	
Part #	Size
40581112	3/4"
40581113	1"
40581114	1-1/4"
40581115	1-1/2"
40581116	2"

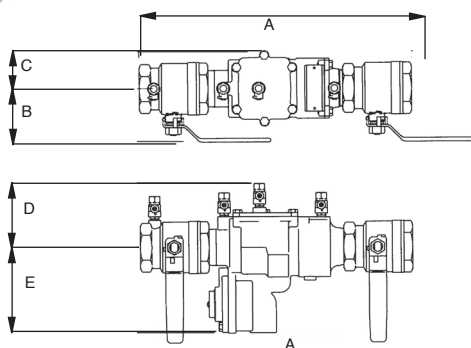


MODEL 850 DIMENSIONS (U.S. INCHES)						
Size	A	B	C	D	E	Weight (lbs.)
3/4"	11-3/4	1-1/2	1-1/2	3-1/8	1-1/4	5.1
1"	12-1/2	1-7/8	1-5/8	3-3/8	1-1/2	7.7
1-1/4"	15-7/8	3	2-1/2	4-1/4	2-1/4	14.9
1-1/2"	16-3/8	3	2-1/2	4-1/4	2-1/4	18.0
2"	17-5/8	3-1/2	2-1/2	4-1/4	2-1/4	24.1

## FEBCO REDUCED PRESSURE ASSEMBLIES MODEL 860 (INLINE) & 825Y (Y-DESIGN)

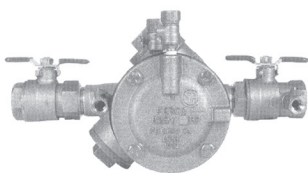


MODEL 860

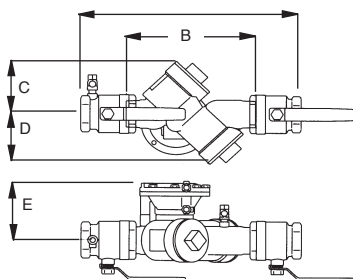


Inline Part #	Y-Design Part #	Size
40581312	59505420	3/4"
40581313	59505520	1"
40581314	59505620	1-1/4"
40581315	59505720	1-1/2"
40581316	59505820	2"

MODEL 860 DIMENSIONS (U.S. INCHES)						
Size	A	B	C	D	E	Weight (lbs.)
3/4"	10-3/4	1-1/2	1-1/2	3-1/8	3-1/2	6.9
1"	12-1/2	1-7/8	1-5/8	3-3/8	3-5/8	9.3
1-1/4"	15-7/8	3	2-1/2	4-1/4	5-5/8	19.3
1-1/2"	16-3/8	3	2-1/2	4-1/4	5-5/8	22.4
2"	17-5/8	3-1/2	2-1/2	4-1/4	5-5/8	26.9



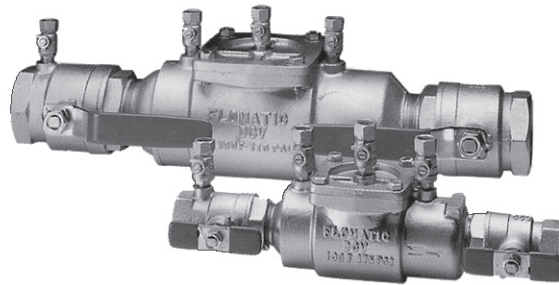
MODEL 825Y



MODEL 825Y DIMENSIONS (U.S. INCHES)						
Size	A	B	C	D	E	Weight (lbs.)
3/4"	12	7-3/4	3-1/4	3-1/4	4-1/8	11.5
1"	12-3/4	7-3/4	3-1/4	3-1/4	4-1/8	12.5
1-1/4"	13-5/8	7-3/4	3-1/4	3-1/4	4-1/8	14.0
1-1/2"	17	10-1/2	4-1/2	4-1/2	5	26.5
2"	17-3/4	10-1/2	4-1/2	4-1/2	5	29.0

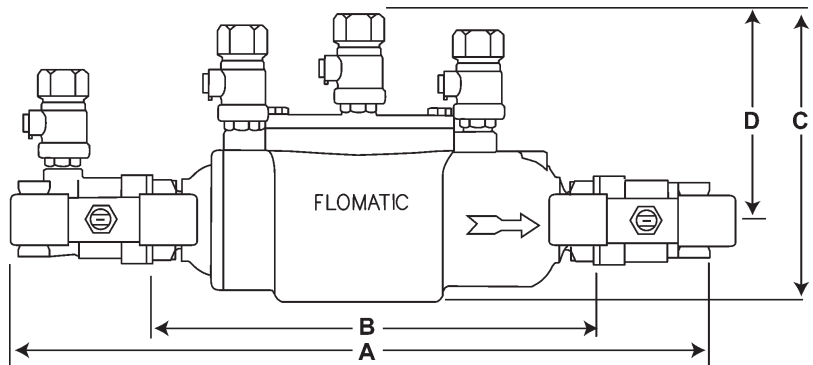
## FLOMATIC UNLEADED DOUBLE CHECK ASSEMBLY

### FLOMATIC® VALVES



COMPLETE ASSEMBLIES	
Part #	Size
40589300	3/4"
40589301	1"
40589403	1-1/2"
40589404	2"

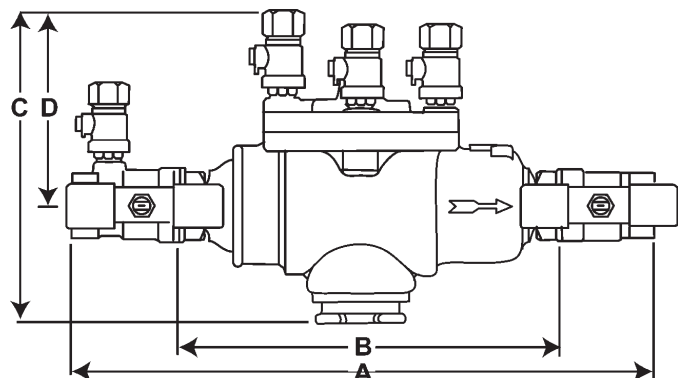
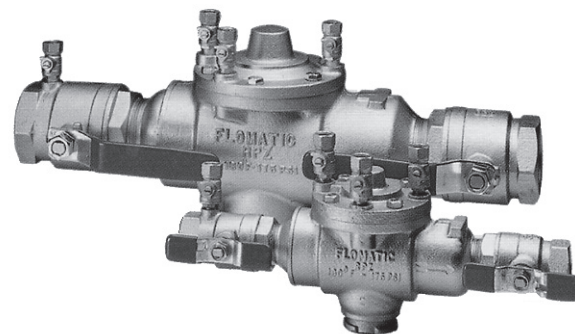
DIMENSIONS (U.S. INCHES)				
Size	A	B	C	D
3/4"	12	7-5/8	5	3-1/2
1"	13	7-5/8	5	3-1/2
1-1/2"	19	12-1/2	6-1/2	4-3/8
2"	20	12-1/2	6-1/2	4-3/8



## FLOMATIC UNLEADED REDUCED PRESSURE DOUBLE CHECK

COMPLETE ASSEMBLIES	
Part #	Size
40589400	3/4"
40589401	1"
40589503	1-1/2"
40589504	2"

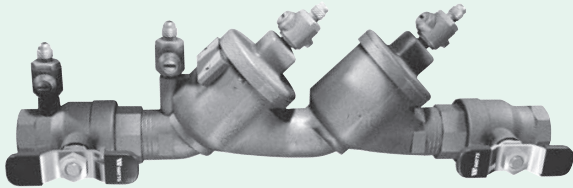
DIMENSIONS (U.S. INCHES)				
Size	A	B	C	D
3/4"	12	8	6-1/8	3-3/4
1"	13	8	6-1/8	3-3/4
1-1/2"	19	12-1/2	9	5
2"	20	12-1/2	9	5





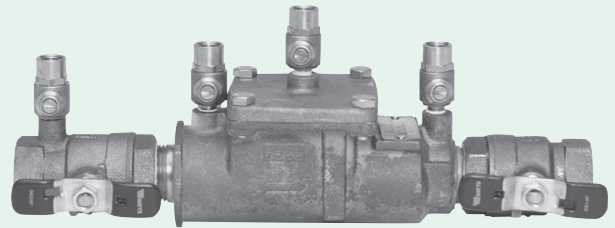
WATTS BACKFLOW ASSEMBLIES

MODEL 719 DOUBLE CHECK ASSEMBLY



COMPLETE ASSEMBLIES	
Part #	Size
40582760	1/2"
40582761	3/4"
40582762	1"
40582763	1-1/4"
40582764	1-1/2"
40582765	2"

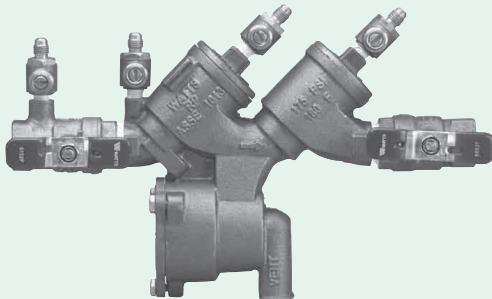
MODEL 007 QT DOUBLE CHECK



COMPLETE ASSEMBLIES	
Part #	Size
40582608	3/4"
40582609	1"
40582616	1-1/2"
40582427	2"

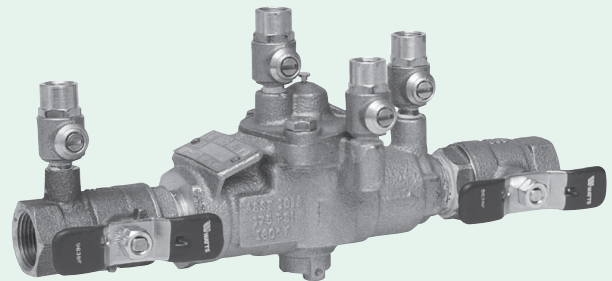


MODEL 919 REDUCED PRESSURE



COMPLETE ASSEMBLIES	
Part #	Size
40582773	3/4"
40582774	1"
40582775	1-1/4"
40582776	1-1/2"
40582777	2"

MODEL 009 QT REDUCED PRESSURE



COMPLETE ASSEMBLIES	
Part #	Size
40582919	3/4"
40582920	1"
40582921	1-1/2"
40583010	2"

# COMPLETE ASSEMBLIES

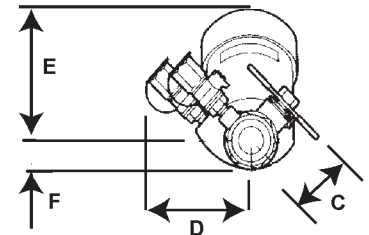
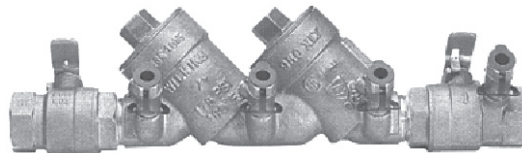
FROM MAJOR MANUFACTURERS



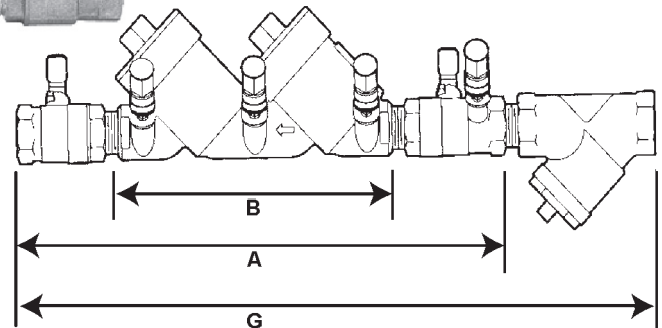
## WILKINS DOUBLE CHECK ASSEMBLY MODEL 950XLT



COMPLETE ASSEMBLIES	
Part #	Size
40584950	3/4"
40581950	1"
40585950	1-1/4"
40580950	1-1/2"
40582950	2"

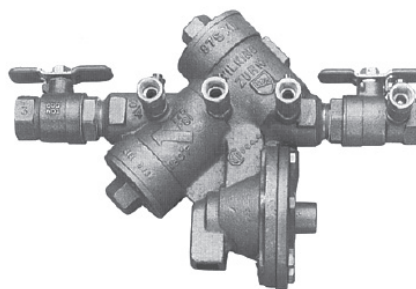


MODEL 950XLT DIMENSIONS (INCHES)							
Model Size	Dimensions						
	A	B Less Ball Valves	C	D	E	F	G
3/4"	13.00	8.75	2.40	2.30	3.30	0.75	17.63
1"	14.75	8.75	2.50	2.30	3.30	0.75	19.75
1-1/4"	19.60	13.75	4.00	3.60	4.40	1.30	24.70
1-1/2"	20.30	13.75	5.40	3.60	4.40	1.30	25.90
2"	21.40	13.75	5.80	3.60	4.40	1.30	28.30

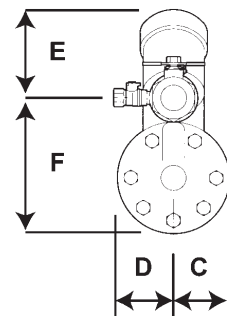


## WILKINS REDUCED PRESSURE PRINCIPLE ASSEMBLIES MODEL 975XL

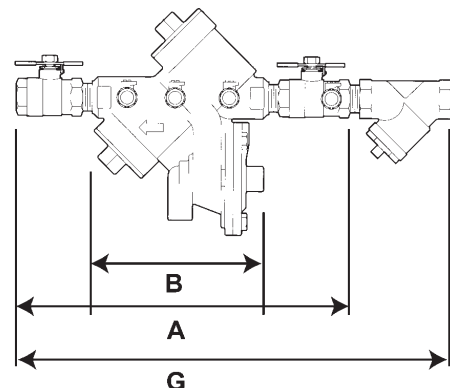
COMPLETE ASSEMBLIES	
Part #	Size
40584975	3/4"
40581975	1"
40585975	1-1/4"
40580975	1-1/2"
40582975	2"



MODEL 975XL 3/4" - 2"



MODEL 975XL DIMENSIONS (INCHES)							
Model Size	Dimensions						
	A	B Less Ball Valves	C	D	E	F	G
3/4"	12.00	7.75	2.10	3.00	3.50	5.00	15.75
1"	13.00	7.75	2.10	3.00	3.50	5.00	17.75
1-1/4"	17.00	10.92	2.70	3.50	5.00	6.70	22.00
1-1/2"	17.40	10.92	2.70	3.50	5.00	6.70	23.14
2"	18.50	10.92	2.70	3.50	5.00	6.70	25.50



**WATTS REGULATOR  
MODEL TK-9A  
TEST KIT**



**Features**

- $\pm 2\%$  accuracy full scale
- Test Kit easily connects to any testable backflow preventer assembly.
- Designed for testing all testable backflow preventers

**Part # 40583500**

**WATTS REGULATOR  
MODEL TK-99D  
TEST KIT**

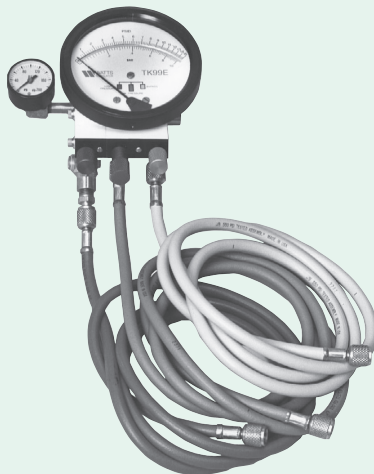


**Features**

- 0.25% full scale accuracy.
- Compact, hand held, digital backflow preventer test kit.
- LCD display with oversized differential characters and separate supply pressure readout gauge, high impact casing.
- Tests RPZ's, double checks or PVB's.

**Part # 40583502**

**WATTS REGULATOR  
MODEL TK-99E  
TEST KIT**

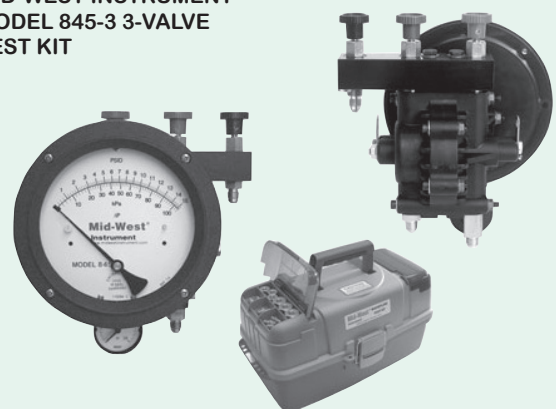


**Features**

- $\pm 1\%$  accuracy full scale
- Compact test kit with color coded valves, hoses and top mounted bleed valves.
- Designed for testing all testable backflow preventers

**Part # 40583511**

**MID-WEST INSTRUMENT  
MODEL 845-3 3-VALVE  
TEST KIT**



**Features**

- Portable/removable from case.
- Improved case with storage compartments for fittings and tools.
- Room for additional accessories.
- Specially designed for testing backflow prevention assemblies with over 30 years of input from YOU the tester.
- Durable carrying case included.
- 5-year product warranty.

**Part # 40580840**

# TOTAL MAINTENANCE SOLUTIONS

# TEST KITS



## MID-WEST INSTRUMENTS MODEL 845-5 5-VALVE TEST KIT

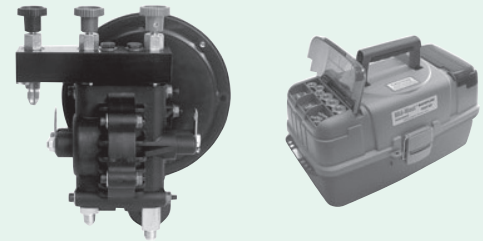


### Features

- Portable/removable from case.
- Improved case with storage compartments for fittings and tools.
- Room for additional accessories.
- Specially designed for testing backflow prevention assemblies with over 30 years of input from YOU the tester.
- Durable carrying case included.
- 5-year product warranty.

Part # 40580850

## CONBRACO 40-200-TKU TEST KIT



### Features

- Differential pressure type with dual scale of 0-15 psid/0-100kPa differential pressure range with a  $\pm 2\%$  accuracy (full scale).

Part # 40589002

## TMS BACKFLOW TEST FITTING KIT

- Includes 9 solid brass fittings in 3 sizes: 1/4", 1/2" and 3/4" and o-rings and sturdy, impact resistant case.

PART # 40585986



## MID-WEST INSTRUMENTS MODEL 830 TEST KIT



### Features

- 4-1/2" Round Dial (0-15 P.S.I.D)
- $\pm 2$  P.S.I.D. Accuracy (Descending)
- 1-1/2" Round Dial Line Pressure Gauge
- Soft-Seated Needle Valves
- In Line Hose Filters
- Double-Walled Carrying Case with Removable, Hinged Cover
- Laminated Test Procedures
- Designed to test the following Backflow Prevention Assemblies:
  - Reduced Pressure Principle (R.P.)
  - Double-Check Valve (D.C.)
  - Pressure Vacuum Breaker (P.V.B.)
  - Reduced Pressure Principle - Detector (R.P.D.A)
  - Double-Check Detector (D.C.D.A.)

Part # 40580830

## TMS BACKFLOW SWIVEL TEST FITTING KIT

- Includes 3, 1/4" swivel fittings with 1/2" and 3/4" adapters and o-rings in a sturdy, impact resistant case.

PART # 40587045

## SWIVEL TEST FITTINGS ONLY

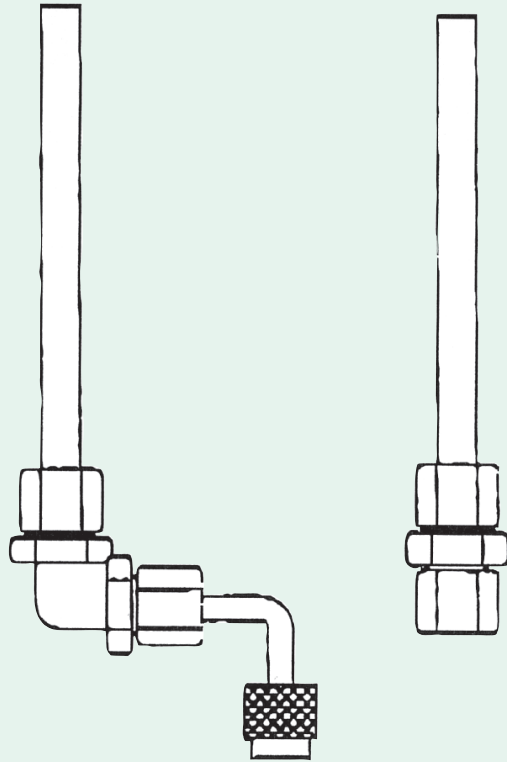
- Includes 3, 1/4" swivel fittings

PART # 40587046



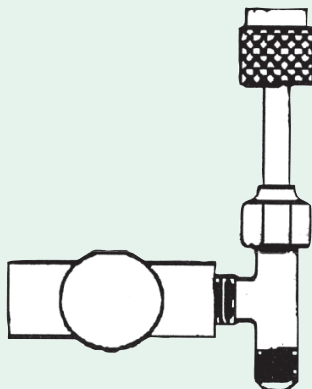
**VERTICAL TUBE TEST KIT WITH EXTENSION  
FROM MID-WEST INSTRUMENTS**

Part # 40585003

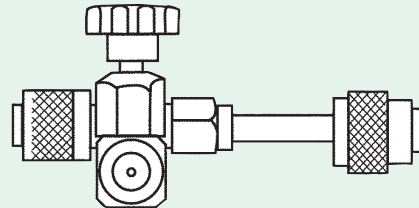


**BLEED OFF ASSEMBLY  
FROM MID-WEST INSTRUMENTS**

Part # 40585005  
Soft Seat Needle Valve

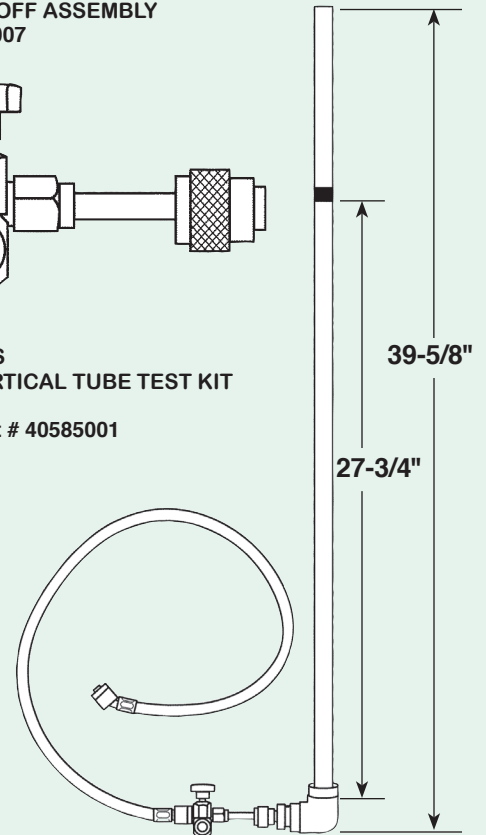


**TMS BLEED OFF ASSEMBLY  
Part # 40585007**



**TMS  
VERTICAL TUBE TEST KIT**

Part # 40585001



**TEST KIT REPLACEMENT HOSES**

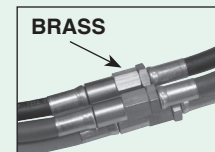
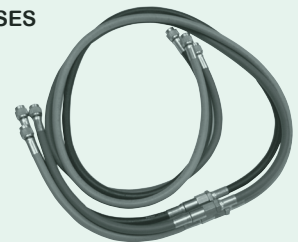
Replacement Hoses with  
Brass Filter Housing  
Red: Part # 40585013  
Black: Part # 40585014  
Green: Part # 40581015

3-PK: Part # 40581017

Hose Filter: Part # 40585018

Replacement Hoses with  
90° Fitting – 3PK  
(For Mid-West Valve 830)  
Part # 40585009

Individual 90° Hoses  
Red: Part # 40585021  
Green: Part # 40585022  
Black: Part # 40585020





# TOTAL MAINTENANCE SOLUTIONS ACCESSORIES



## ONE PIECE, DROP OVER ENCLOSURES

- Drains sized for full port discharge
- Testing, maintenance access
- Vandal/intrusion protection
- Optional freeze protection
- Affordable enclosure for backflow prevention devices, pumps, meters, valves, etc.
- Fiberglass or plastic shell, insulated with urethane foam, provides security and freeze protection (limited without heat)
- Aesthetically pleasing – no rust or unsightly weeds.

Options include insulation, heater, locking access panels and fiberglass pads.



## POLY ROK

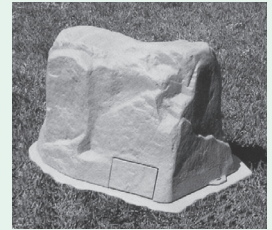
Sized for 3/4" – 2" backflow devices, PVB's and small pumps.

### FEATURES:

- Lifelike shape and coloring
- Testing/Maintenance access
- Durable Polyethylene shell
- Drain sizing for full port discharge
- ASSE 1060 Certified

### BENEFITS:

- Landscape friendly
- Vandal protection
- Code compliance
- Optional freeze protection qualities
- Low cost insulation



**HotBox**  
"The Engineered Enclosure"

## FLIP TOP ENCLOSURES

- Drains sized for full port discharge
- Testing, maintenance access
- Lockable – deters theft and damage
- Available with insulation for strength and sound protection. Also available without insulation.
- Vented for cool pump operation
- Affordable enclosure for backflow prevention devices, pumps, meters, valves, etc.
- Laminated Fiberglass construction
- Aesthetically pleasing – no rust or unsightly weeds.

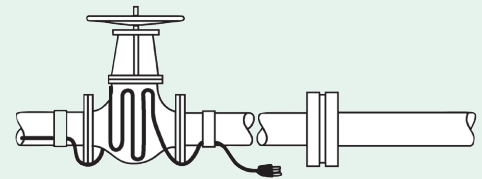
Options include custom colors and sizes and fiberglass GlassPad™.



## STW PRE-TERMINATED HEATER CABLE

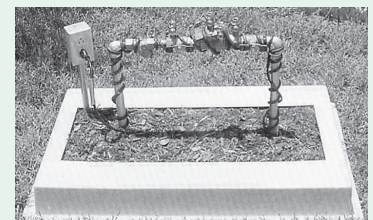
Intended for use on metal or plastic water pipes for freeze protection.

- Available in 6, 12, 18, 24 and 50 ft lengths and include a factory sealed power connection with 30 inch power cord and plug and a factory sealed end termination.



## GLASSPAD™ FIBERGLASS MOUNTING PAD

- Sized for the enclosure of your choice
- Installs in half the time
- Looks like concrete
- One trip to install valve, pad and enclosure

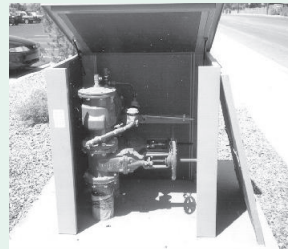
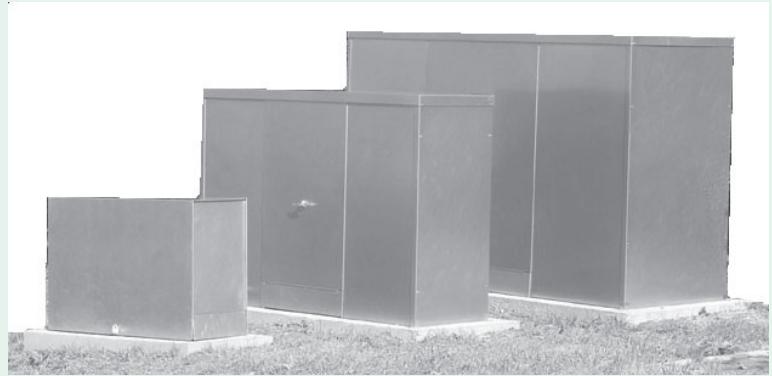




**SAFE-T-COVER™** "Lift-Up" design enclosures for compact installations offer unique location of access panels and a hinged roof panel for maximum testing and repair convenience. The Compact Assembly enclosures are the lowest profile for flanged backflow assemblies.

**SAFE-T-COVER™ FEATURES:**

- Removable top
- Stainless steel mounting hardware
- Lockable, keyed-alike access panels.
- LARGE removable access panels.
- Post/beam building construction uses heart-grade redwood.
- Insulation manufactured according to ASTM standards with a proven "R" value.
- Provides security by placing mounting brackets on the inside of the enclosure.
- Fully insulated drain flap not activated by wind. The same high-quality materials used in the enclosure are used in the drain flap.
- Available in AlumaKlad colors.



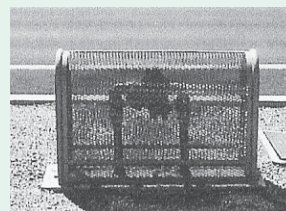
**ENCLOSURE TECHNOLOGY & SUPPLY L.L.C.** offers backflow preventer enclosures with a powder coated surface, available in dark tan or forest green. Their unique design features a rounded top and offers maximum protection and durability. Engineered for strength, their enclosures weigh less than half of many other enclosures on the market. Installation time is approximately 1 hour.

**FEATURES:**

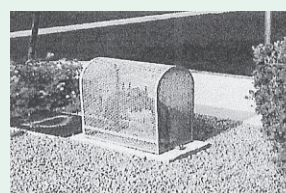
- Superior locking system guards against tampering
- Frost protection accessories available upon request
- Double wide units also available

Available in four different styles:

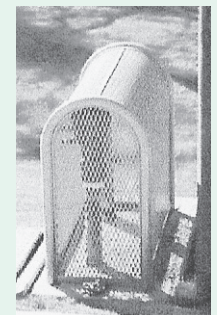
- Curved angle iron framework with expanded metal covering
- Square tubing iron framework with expanded metal covering
- Curved tubular iron framework with expanded metal covering
- Traditional angle iron box cage (not shown)



Square Tubing



Angle Iron



Round Tubing

# TOTAL MAINTENANCE SOLUTIONS ACCESSORIES



## 15" SUPER JUMBO RECTANGLE METER BOX (MINI VAULT)

- Available in 3 depths: 12", 18" and 24"

**PART # 40581730**

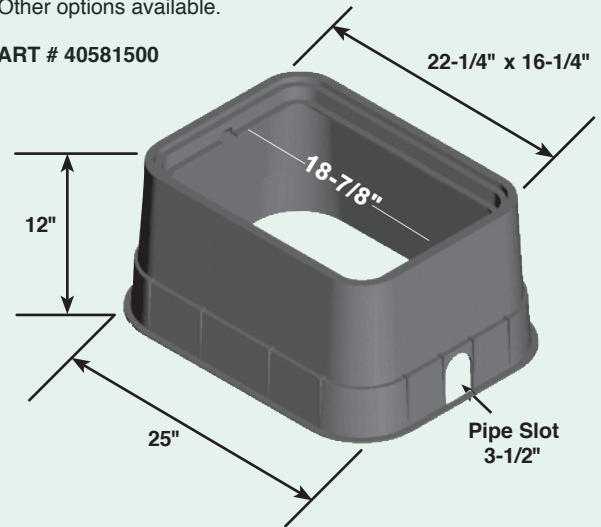


Dimensions	O.D.	I.D.	Height
Flush Fit Lid	29-5/8" x 17"	29-5/8" x 17"	2"
Box Top	32-3/4" x 19-3/4"	27-5/8" x 14-3/4"	12"/18"/24"
Box Bottom	37" x 26-1/4"	34" x 21-1/2"	12"/18"/24"

## 12" JUMBO RECTANGLE METER BOX

- Available with a solid lid or a reader lid.
- Extension boxes also available.
- Other options available.

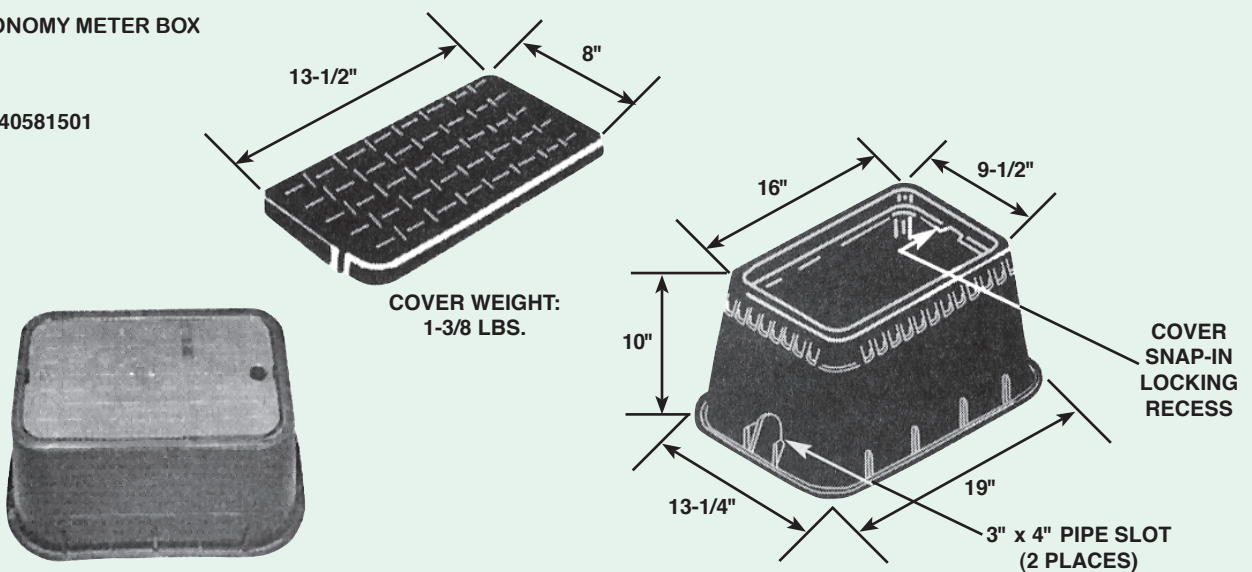
**PART # 40581500**



Dimensions	O.D.	I.D.	Height
Flush Fit Lid	20-7/8" x 15"	19-7/8" x 14"	1-1/2"
Box Top	22-1/4" x 16-1/4"	18-7/8" x 13"	12"
Box Bottom	25" x 19-5/8"	23-1/2" x 18"	
Pipe Slots		2-1/2"	3-1/4"

## 10" ECONOMY METER BOX

**PART # 40581501**





TOTAL MAINTENANCE SOLUTIONS

# TOTAL MAINTENANCE SOLUTIONS ACCESSORIES

## FOOD GRADE LUBRICANT

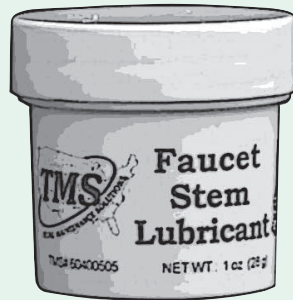
- Rated from -15° to 210°F (-9.4° to 98.8°C)
- Odorless, tasteless, non-toxic
- 1 oz. container

PART # 60400505

## PETROL-GEL

- 4 oz Tube

PART # 93481050



**Big enough to serve...  
Small enough to care.**



TOTAL MAINTENANCE SOLUTIONS

## NEED MORE INFORMATION?

Visit the web sites listed below to find out more about backflow manufacturers and products, associations, and other important information.

### Manufacturers:

<b>Ames</b>	<a href="http://www.ames-co.com">www.ames-co.com</a>
<b>Cla-Val</b>	<a href="http://www.cla-val.com">www.cla-val.com</a>
<b>Conbraco</b>	<a href="http://www.conbraco.com">www.conbraco.com</a>
<b>Febco</b>	<a href="http://www.febcoonline.com">www.febcoonline.com</a>
<b>Flomatic</b>	<a href="http://www.flomatic.com">www.flomatic.com</a>
<b>Midwest Instrument</b>	<a href="http://www.midwestinstrument.com">www.midwestinstrument.com</a>
<b>Watts</b>	<a href="http://www.wattsreg.com">www.wattsreg.com</a>
<b>Wilkins</b>	<a href="http://www.zurn.com/operations/wilkins/pages/home.asp">www.zurn.com/operations/wilkins/pages/home.asp</a>

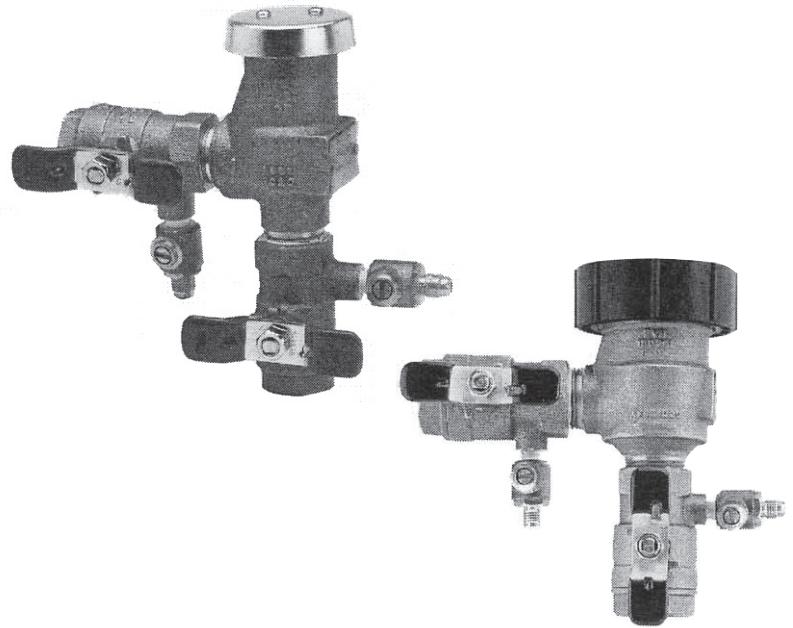
### Associations:

<b>American Backflow Prevention Association</b>	<a href="http://www.abpa.org">www.abpa.org</a>
<b>American Water Works Association</b>	<a href="http://www.awwa.org">www.awwa.org</a>
<b>University of Southern California Foundation for Cross Connection Control and Hydraulic Research</b>	<a href="http://www.usc.edu/dept/fccchr">www.usc.edu/dept/fccchr</a>
<b>University of Florida Training, Research and Education for Environmental Occupations (UF/TREEO)</b>	<a href="http://www.treeo.ufl.edu/backflow">www.treeo.ufl.edu/backflow</a>
<b>World Wide Web Virtual Library</b>	<a href="http://www.usc.edu/dept/fccchr/ccvlib">www.usc.edu/dept/fccchr/ccvlib</a>

**Lead-Free Kits  
are now available!  
Please specify part  
number with "LF"  
suffix**



**SERIES A200 PRESSURE VACUUM BREAKER  
3/4" – 2"**



BONNET KIT		
Item #	Description	Qty.
40587531	ARK A200 B	1/2" – 3/4"
40587532	ARK A200 B	1"
40587533	ARK A200 B	1-1/2" – 2"

Kit consists of: Bonnet, bonnet o-ring, vent spring, hood and hood screws.

CHECK KIT		
Item #	Description	Qty.
40587534	ARK A200 CK	1/2" – 3/4"
40587535	ARK A200 CK	1"
40587536	ARK A200 CK	1-1/2" – 2"

Kit consists of: Check disk assembly (disk and disk holder), bonnet o-ring and check spring.

RUBBER TOTAL KIT		
Item #	Description	Qty.
40587537	ARK A200 RT	1/2" – 3/4"
40587538	ARK A200 RT	1"
40587539	ARK A200 RT	1-1/2" – 2"

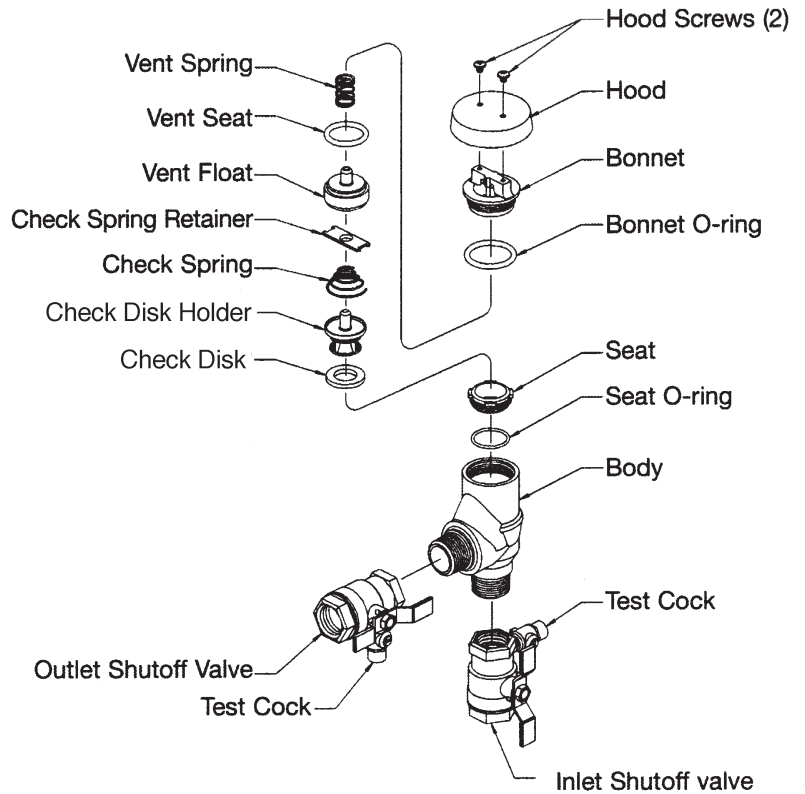
Kit consists of: Vent seal, check disk and bonnet o-ring.

VENT KIT		
Item #	Description	Qty.
40587548	ARK A200 V	1/2" – 3/4"
40587549	ARK A200 V	1"
40587550	ARK A200 V	1-1/2" – 2"

Kit consists of: Float vent disk assembly, (vent float, seal and spring) and bonnet o-ring.

SEAT KIT		
Item #	Description	Qty.
40587551	ARK A200 S	1/2" – 3/4"
40587552	ARK A200 S	1"
40587553	ARK A200 S	1-1/2" – 2"

Kit consists of: Seat, seat o-ring and bonnet o-ring.



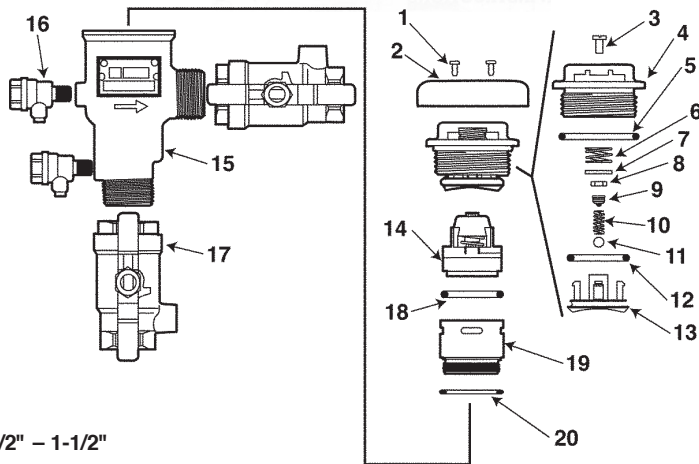
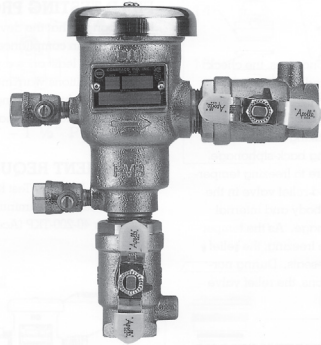




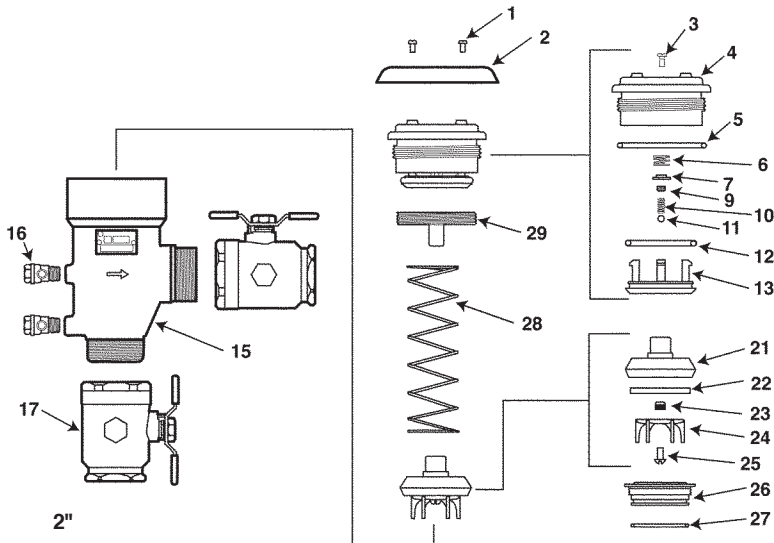
**Lead-Free Kits  
are now available!  
Please specify part  
number with "LF"  
suffix**

# TOTAL MAINTENANCE SOLUTIONS APOLLO/CONBRACO PRESSURE VACUUM BREAKERS

## SERIES 4V-500 PRESSURE VACUUM BREAKER 1/2", 3/4", 1", 1-1/4", 1-1/2", 2"



1/2" - 1-1/2"



2"

CHECK VALVE REPAIR KIT CONTENTS		
Item #	Description	Qty.
5	Cap O-ring	1
14	Check Valve*	1
18	Check Valve O-ring**	1
19	Check Valve Retainer**	1
20	Retainer O-Ring**	1

\* Check Valve not used on 2"  
\*\* Check Valve O-ring, Check Valve Retainer and Retainer O-ring used only on sizes 1-1/4" & 1-1/2"

CHECK VALVE & SEAT REPAIR KIT CONTENTS		
Item #	Description	Qty.
21	Disk Retainer	1
22	Seat Disk	1
23	Plug	1
24	Check Valve Guide	1
25	Check Valve Screw	1
26	Replaceable Seat	1
27	Seat O-ring	1

Items 21-27 required for PVB size 2".

CAP & FLOAT ASSEMBLY		
Item #	Description	Qty.
3	Cap Screw	1
4	Cap	1
5	Cap O-ring	1
6	Cap Spring	1
7	Cap Washer	1
8	Cap Nut†	1
9	Freeze Plug	1
10	Freeze Spring	1
11	Freeze Ball	1
12	Float O-ring	1
13	Float	1

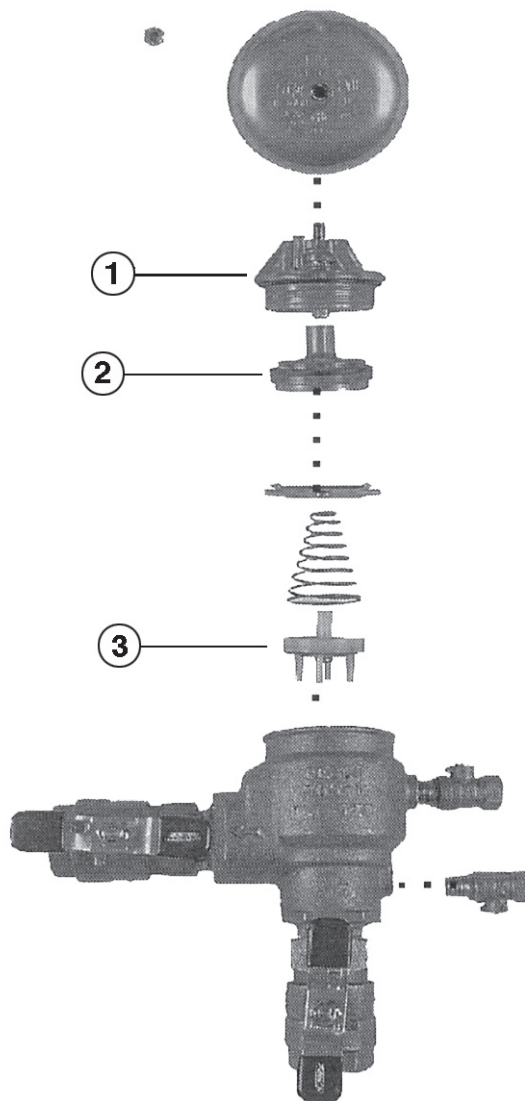
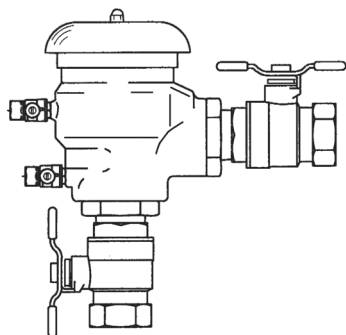
† Item 8 not required for PVB size 2".

Repair Kits						
Description	1/2"	3/4"	1"	1-1/4"	1-1/2"	2"
Check Valve Repair Kit	40584500	40584500	40584501	40584502	40584502	N/A
Check Valve & Seat	N/A	N/A	N/A	N/A	N/A	40584503
Cap & Float Assembly	40584504	40584504	40584504	40584505	40584505	40584506

## MODEL 765 PRESSURE VACUUM BREAKER

1/2", 3/4", 1", 1-1/4", 1-1/2", 2"

**Lead-Free Kits**  
are now available!  
Please specify part  
number with "LF"  
suffix



### KIT CONTENTS

**Rubber Parts** includes o-ring, rubber disk, and disk

**Bonnet Assembly** includes bonnet, o-ring, spring, e-ring, washer and stem.

**Poppet Assembly** includes rubber disk and poppet.

**Check Assembly Kit** (for 1/2", 3/4", 1" and 1-1/4" only) includes holder, disk, guide and screw.

**Check Repair Kit** (for sizes 1-1/2" & 2" only) includes o-ring, retainer, holder, disk, guide and screw.

**Bonnet/Poppet Kit** includes bonnet, o-ring, spring, e-ring, washer stem rubber disk and poppet.

### Repair Kits

Description	1/2"	3/4"	1"	1-1/4"	1-1/2"	2"
Rubber Parts Kit (includes o-ring, rubber disk and disk)	59503002	59503002	59503004	59503004	40589022	40589022
Bonnet Assembly, screw-on type (# 1)	40585047	40585047	40585048	40585048	-	-
Bonnet Assembly, bolt-on type (# 1)					40589057	40589057
Poppet Assembly (# 2)	40585049	40585049	40585050	40585050	40589060	40589060
Check Assembly (# 3)	40589051	40589051	40589052	40589052	40589070	40589070
Bonnet/Poppet Kit (# 1 and # 2)	40589011	40589011	40589012*	40589012*	-	-

Kit includes parts to retrofit older style units





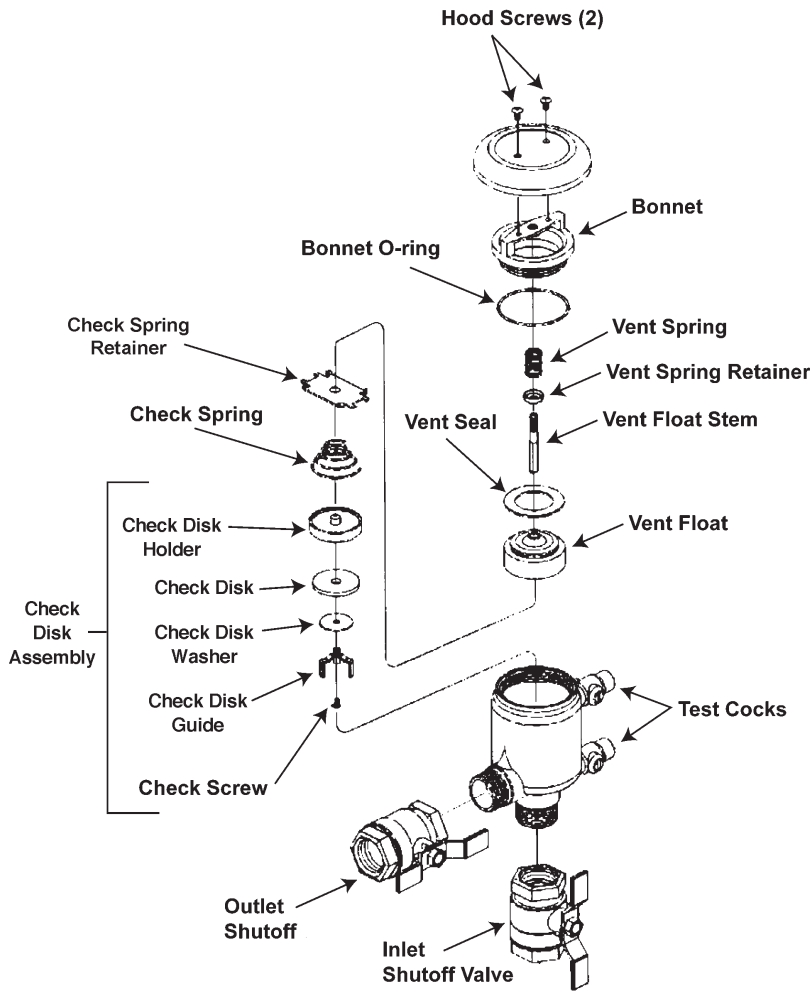
**Lead-Free Kits**  
are now available!  
Please specify part  
number with "LF"  
suffix

TOTAL MAINTENANCE SOLUTIONS

# WATTS

## PRESSURE VACUUM BREAKERS

### SERIES 800 PRESSURE VACUUM BREAKER 1/2" – 2"



CHECK KITS		
Part #	Kit #	Size
40586027	RK 800 CK	1/2" – 1"
40586028	RK 800 CK	1-1/4" – 2"

Kit consists of: check disk assembly (disk holder, disk, washer, guide and screw), bonnet o-ring and check spring.

RUBBER PARTS KITS		
Part #	Kit #	Size
40586021	RK 800 RT	1/2" – 1"
40586022	RK 800 RT	1-1/4" – 2"

Kit consists of: vent seal, check disk and bonnet o-ring.

VENT FLOAT KITS		
Part #	Kit #	Size
40586025	RK 800 V	1/2" – 1"
40586026	RK 800 V	1-1/4" – 2"

Kit consists of: float vent disk assembly and bonnet o-ring.

BONNET KITS		
Part #	Kit #	Size
40586023	RK 800 B	1/2" – 1"
40586024	RK 800 B	1-1/4" – 2"

Kit consists of: bonnet, vent float stem, vent retainer, spring and bonnet o-ring.

**Lead-Free Kits**  
are now available!  
Please specify part  
number with "LF"  
suffix

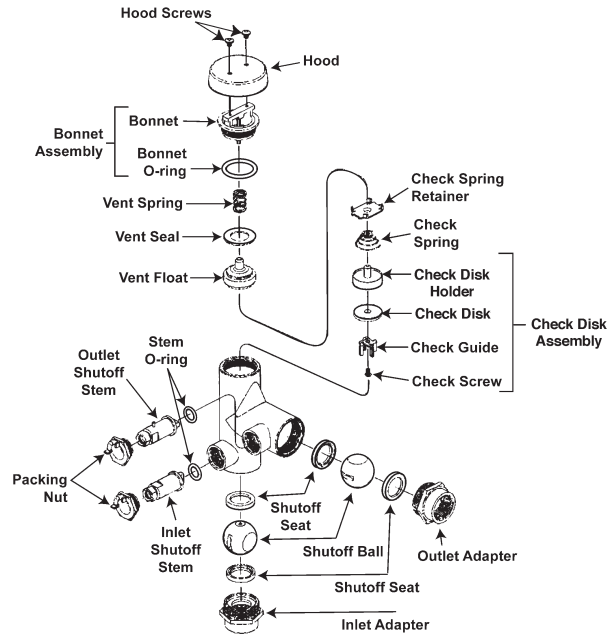


## SERIES 800M/CM PRESSURE VACUUM BREAKER COMPACT MODEL

1/2", 3/4"

Repair Kit		
Part #	Kit #	Size
40586030	RK 800M/CM T	1/2" – 3/4"

Kit consists of: check disk assembly, vent float & vent seal, check spring, vent spring, bonnet assembly and hood screws.

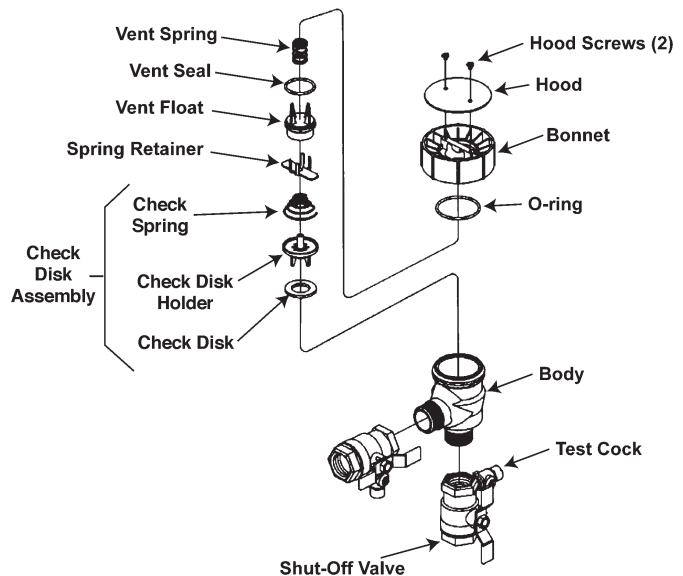


## SERIES 800M2 PRESSURE VACUUM BREAKER

1/2" – 2"

CHECK KITS		
Part #	Kit #	Size
40586037	RK 800M2 CK	1/2" – 1"
40586038	RK 800M2 CK	1-1/4" – 1-1/2"

Kit consists of: check disk assembly (disk & holder), bonnet o-ring and check spring.



RUBBER PARTS KITS		
Part #	Kit #	Size
40586031	RK 800M2 RT	1/2" – 1"
40586032	RK 800M2 RT	1-1/4" – 2"

Kit consists of: vent seal, check disk and bonnet o-ring.

VENT FLOAT KITS		
Part #	Kit #	Size
40586035	RK 800M2 V	1/2" – 1"
40586036	RK 800M2 V	1-1/4" – 2"

Kit consists of: float vent disk assembly (vent float, seal & spring) and bonnet o-ring.

BONNET ASSEMBLY KITS		
Part #	Kit #	Size
40586033	RK 800M2 B	1/2" – 1"
40586034	RK 800M2 B	1-1/4" – 2"

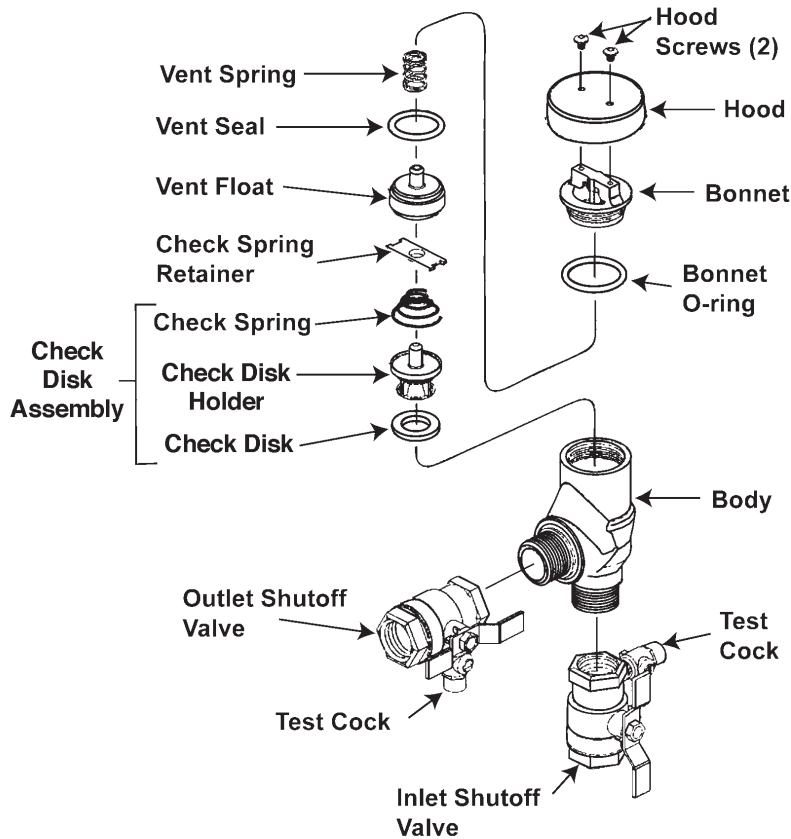
Kit consists of: bonnet, vent float stem, vent retainer, spring and bonnet o-ring.



**Lead-Free Kits  
are now available!  
Please specify part  
number with "LF"  
suffix**

**TOTAL MAINTENANCE SOLUTIONS**  
**WATTS**  
**PRESSURE VACUUM BREAKERS**

**SERIES 800M3 PRESSURE VACUUM BREAKER**  
**1/2" – 3/4"**



CHECK KITS		
Part #	Kit #	Size
40586042	RK 800M3 CK	1/2", 3/4"

Kit consists of: check disk assembly (disk & holder), bonnet o-ring and check spring.

RUBBER PARTS KITS		
Part #	Kit #	Size
40586039	RK 800M3 RT	1/2", 3/4"

Kit consists of: vent seal, check disk and bonnet o-ring.

VENT FLOAT KITS		
Part #	Kit #	Size
40586041	RK 800M3 V	1/2", 3/4"

Kit consists of: float disk assembly (vent float, seal & spring) and bonnet o-ring.

BONNET ASSEMBLY KITS		
Part #	Kit #	Size
40586040	RK 800M3 B	1/2", 3/4"

Kit consists of: bonnet, vent spring, hood, hood screws and bonnet o-ring.

TOTAL MAINTENANCE SOLUTIONS

# WATTS

PRESSURE VACUUM BREAKERS

**SERIES 800M4 PRESSURE VACUUM BREAKER**  
1/2" – 2"

*Lead-Free Kits  
are now available!  
Please specify part  
number with "LF"  
suffix*



CHECK KITS		
Part #	Kit #	Size
40587703	RK 800M4 CK	1/2", 3/4"
40587704	RK 800M4 CK	1"
40587705	RK 800M4 CK	1-1/4" – 2"

Kit consists of: check disk assembly (disk and disk holder), bonnet o-ring and check spring. Above also fits 800M4 FR.

RUBBER PARTS KITS		
Part #	Kit #	Size
40587706	RK 800M4 RT	1/2", 3/4"
40587707	RK 800M4 RT	1"
40587708	RK 800M4 RT	1-1/4" – 2"

Kit consists of: vent seal, check disk and bonnet o-ring.

VENT FLOAT KITS		
Part #	Kit #	Size
40587709	RK 800M4 V	1/2", 3/4"
40587710	RK 800M4 V	1"
40587711	RK 800M4 V	1-1/4" – 2"

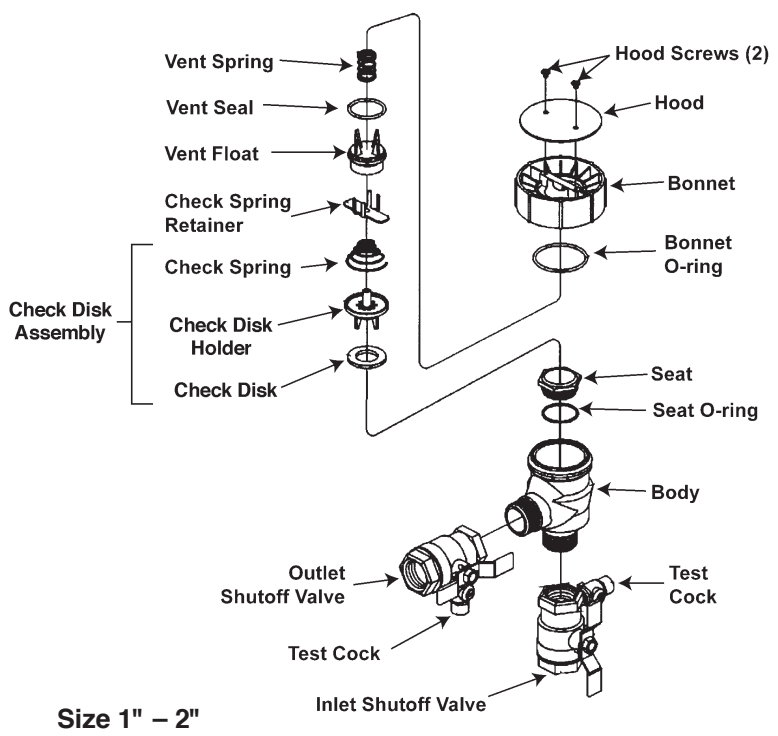
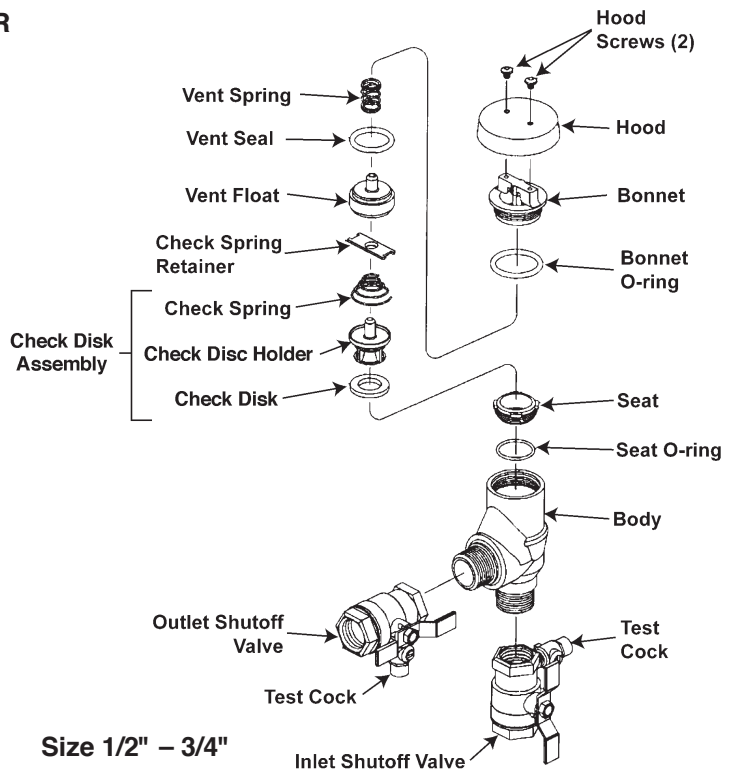
Kit consists of: float vent disk assembly (vent float, seal & spring) and bonnet o-ring.

FR VENT FLOAT KITS		
Part #	Kit #	Size
40587725	RK 800M4 FRV	1/2", 3/4"
40587715	RK 800M4 FRV	1"
40587716	RK 800M4 FRV	1 1/4" - 2"

Kit consists of: float disk assembly, vent spring and bonnet o-ring.

BONNET ASSEMBLY KIT		
Part #	Kit #	Size
4058	RK 800M4B	1/2", 3/4"
4058	RK 800M4B	1"
4058	RK 800M4B	1-1/4" – 2"

Kit includes bonnet, bonnet o-ring, vent spring, hood and hood screws.





**Lead-Free Kits**  
are now available!  
Please specify part  
number with "LF"  
suffix

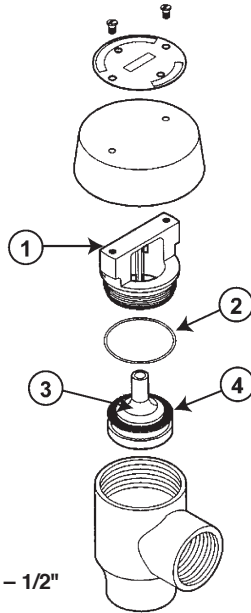
TOTAL MAINTENANCE SOLUTIONS

**WILKINS**

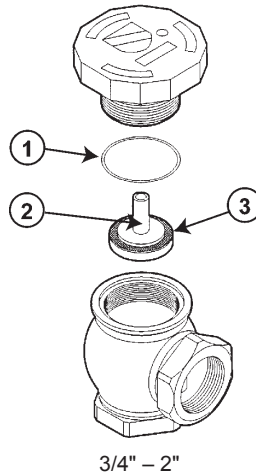
PRESSURE VACUUM BREAKERS

**MODEL 35 ATMOSPHERIC VACUUM BREAKER**

1/4"-3/8", 1/2", 3/4", 1", 1-1/4", 1-1/2" & 2"



1/4" - 1/2"



3/4" - 2"

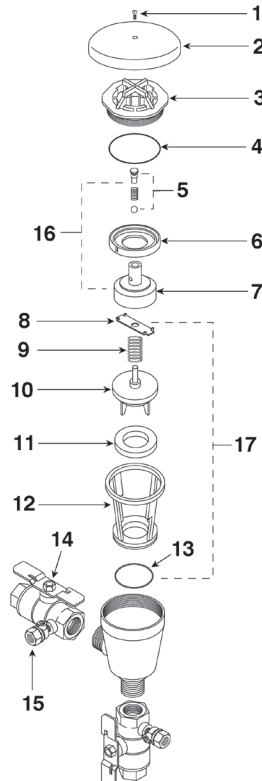
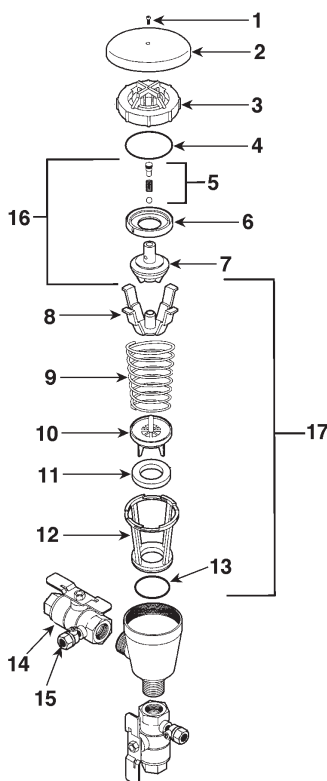
REPAIR KIT CONTENTS 1/4" - 1/2"		
Item #	Description	Qty.
2	O-Ring	1
3	Float	1
4	Seal Ring	1

REPAIR KIT CONTENTS 3/4", 1", 1-1/4", 1-1/2" & 2"		
Item #	Description	Qty.
1	Gasket	1
2	Float	1
3	Seal Ring	1

Description	Part #						
	Size 1/4"-3/8"	Size 1/2"	Size 3/4"	Size 1"	Size 1-1/4"	Size 1-1/2"	Size 2"
Repair Kits	40581335	40581235	40583435	40580135	40581435	40581123	40580235

**MODEL 420 PRESSURE VACUUM BREAKER**

1/2", 3/4", 1"



FULL REPAIR KIT CONTENTS		
Item #	Description	Qty.
3	Bonnet	1
4	O-Ring	1
16	Float Assembly	1
17	Seat Assembly	1

RUBBER REPAIR KIT CONTENTS		
Item #	Description	Qty.
4	O-Ring	1
6	Air Inlet Disk	1
11	Seat Ring	1
13	O-Ring	1

Repair Kits		
Description	1/2"-3/4"	1"
Full Repair Kit	40580145	40588420
Rubber Repair Kit	40580146	40588422
Freeze Repair Kit (includes 3, 4, 10, 11, 16)	40581242	40581241

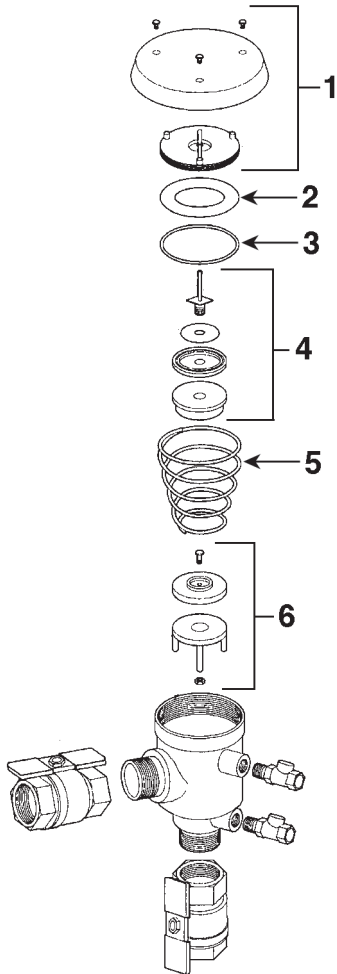
TOTAL MAINTENANCE SOLUTIONS  
**WILKINS**  
 PRESSURE VACUUM BREAKERS

*Lead-Free Kits  
 are now available!  
 Please specify part  
 number with "LF"  
 suffix*

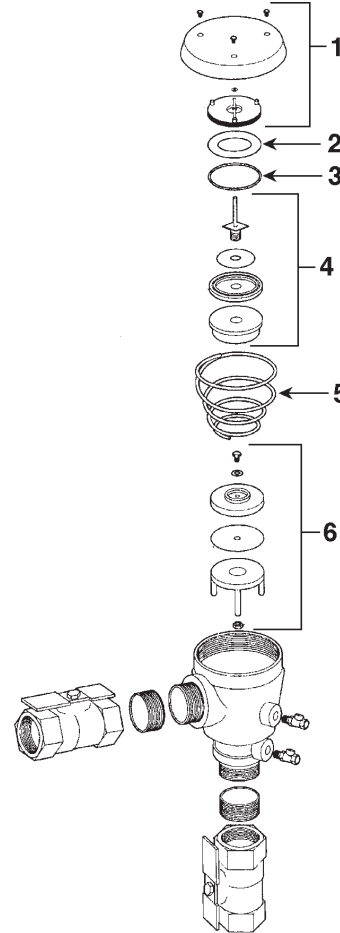


**MODEL 720A PRESSURE VACUUM BREAKERS**  
 1/2", 3/4" & 1"

**MODEL 720A PRESSURE VACUUM BREAKERS**  
 1-1/4", 1-1/2" & 2"



REPAIR KIT CONTENTS 1/2", 3/4" & 1"		
Item #	Description	Qty.
2	Plastic Washer	1
3	O-Ring	1
5	Spring	1
4	Poppet Assembly	1
6	Spider Assembly	1



REPAIR KIT CONTENTS 1-1/4", 1-1/2" & 2"		
Item #	Description	Qty.
2	Washer	1
3	O-Ring	1
5	Spring	1
4	Poppet Assembly	1
6	Spider Assembly	1

REPAIR KITS	
Description	Part #
Model 720A Repair Kit 1/2", 3/4" & 1"	40581720
Model 720A Repair Kit 1-1/4", 1-1/2" & 2"	40582720
Model 720A Bonnet Kit 1/2", 3/4" & 1" (Item 1)	40584720
Model 720A Bonnet Kit 1-1/4", 1-1/2" & 2" (Item 1)	40585720





TOTAL MAINTENANCE SOLUTIONS

**Lead-Free Kits  
are now available!**  
Please specify part  
number with "LF"  
suffix

**C-200, C-300 = 757, 757DCDA**

TMS Part #	Part #	Size	Description
40588109	7018111	2 1/2 - 4"	Check #1 (Red)
40588107	7018113	2 1/2 - 4"	Check #2 (Red)
40588076	7018117	8"	Check #1 (Red)
40588077	7018119	8"	Check #2 (Red)
40588399	7018399	10"	Check #1 (Red)
40588400	7018400	10"	Check #2 (Red)

**C-200A, C-300A**

TMS Part #	Part #	Size	Description
40588387	7018387	2 1/2 - 4"	Check #1 (Red)
40588388	7018388	2 1/2 - 4"	Check #2 (Red)
40588389	7018387	2 1/2 - 4"	Check #1 (Red)
40588390	7018388	2 1/2 - 4"	Check #2 (Red)

**M-200, M-300**

TMS Part #	Part #	Size	Description
40588109	7018111	2 1/2 - 3"	Check #1 (Red)
40588107	7018113	2 1/2 - 3"	Check #2 (Red)
40588078	7018114	4"	Check #1 (Red)
40588079	7018116	4"	Check #2 (Red)

**M-200A, M-300A**

TMS Part #	Part #	Size	Description
40588387	7018387	2 1/2 - 3"	Check #1
40588388	7018388	2 1/2 - 3"	Check #2
40588389	7018389	4"	Check #1
40588390	7018390	4"	Check #2

**200B**

TMS Part #	Part #	Size	Description
40588461	7018461	1/2"	Check 1st or 2nd
40588462	7018462	3/4"	Check 1st or 2nd
40588463	7018463	1"	Check 1st or 2nd
40588464	7018464	1 1/4 - 1 1/2"	Check 1st or 2nd
40588465	7018465	2"	Check 1st or 2nd
40588467	7018467	1/2"	Check Rubber
40588468	7018468	3/4"	Check Rubber
40588469	7018469	1"	Check Rubber
40588470	7018470	1 1/4 - 1 1/2"	Check Rubber
40588471	7018471	2"	Check Rubber

**400B**

TMS Part #	Part #	Size	Description
40588223	7018485	1/4 - 1/2"	Check #1
40588486	7018486	3/4"	Check #1
40588481	7018487	1"	Check #1
40588488	7018488	1 1/4 - 1 1/2"	Check #1
40588482	7018489	2"	Check #1
40588496	7018490	1/4 - 1/2"	Check #2
40588491	7018491	3/4"	Check #2
40588498	7018492	1"	Check #2
40588500	7018493	1 1/4 - 1 1/2"	Check #2
40588494	7018494	2"	Check #2
40588515	7018515	1/2"	Relief Kit
40588516	7018516	3/4 - 1"	Relief Kit
40588517	7018517	1 1/4 - 2"	Relief Kit

**1000DCV**

TMS Part #	Part #	Size	Description
40585550	7015550	4"	Knuckle Joint
40585551	7015551	6"	Knuckle Joint
40585552	7015552	8" & 10"	Knuckle Joint

**2000B = WATTS 007**

TMS Part #	Part #	Size	Description
40586330	7016330	1/2"	Check 1st or 2nd
40586331	7016331	3/4"M2	Check #1
40586332	7016332	3/4"M3	Check #1
40586333	7016333	1"M2	Check 1st or 2nd
40586334	7016334	1 1/4 - 1 1/2"M2	Check #1
40586335	7016335	2"M2	Check #1
40586337	7016337	3/4"M2	Check #2
40586338	7016338	3/4"M3	Check #2
40586333	7016333	1"M1	Check #2
40586340	7016340	1 1/4 - 1 1/2"M2	Check #2
40586341	7016341	2"M1	Check #2
40586348	7016348	1/2"	Check Rubber
40586349	7016349	3/4"M2	Check Rubber
40586354	7016350	3/4"M3	Check Rubber
40586351	7016351	1"M1	Check Rubber
40586352	7016352	1 1/4 - 1 1/2"M2	Check Rubber
40586353	7016353	2"M1	Check Rubber



2000SS, 3000SS = WATTS 774, 774DCDA			
TMS Part #	Part #	Size	Description
40585559	7015559	2 1/2 - 4", 6" SE	Check #1
40585560	7015560	2 1/2 - 4", 6" SE	Check #2
40585564	7015564	6", 8" SE	Check #1
40585565	7015565	6", 8" SE	Check #2
40585569	7015569	8-12"	Check #1
40586088	7016088	8-12"	Check #2

2001SS, 3001SS			
TMS Part #	Part #	Size	Description
40585574	7015574	3 - 4"	Check #1
40585575	7015575	3 - 4"	Check #2
40585583	7015583	6"- 8"	Check #1
40585584	7015584	6"- 8"	Check #2

4000B			
TMS Part #	Part #	Size	Description
40586647	7016635	1/2"	Check #1
40586636	7016636	3/4"M2	Check #1
40586637	7016637	3/4"M3	Check #1
40586638	7016638	1"	Check #1
40586650	7016650	1"M2	Check #1
40586639	7016639	1 1/4 - 1 1/2"	Check #1
40586640	7016640	2"	Check #1
40586641	7016641	1/2"	Check #2
40586642	7016642	3/4"M2	Check #2
40586643	7016643	3/4"M3	Check #2
40586644	7016644	1"	Check #2
40586651	7018651	1"M2	Check #2
40586645	7016645	1 1/4 - 1 1/2"	Check #2
40586646	7016646	2"	Check #2



TOTAL MAINTENANCE SOLUTIONS

**Lead-Free Kits**  
are now available!  
Please specify part  
number with "LF"  
suffix

# TOTAL MAINTENANCE SOLUTIONS

# APOLLO/CONBRACO

## QUICK LISTS

40-100 DCV – BRONZE			
TMS Part #	Part #	Size	Description
40583092	40-004-A5	3/4 - 1"	Major Repair Kit
40583028	40-004-A2	3/4 - 1"	Check Repair Kit
40583022	40-004-A6	3/4 - 1"	Check Rubber Kit
40580004	40-004-A8	3/4 - 1"	Seat Kit
40583094	40-007-A5	1 1/4 - 2"	Major Repair Kit
40583030	40-007-A2	1 1/4 - 2"	Check Repair Kit
40583024	40-007-A6	1 1/4 - 2"	Check Rubber Kit
40580007	40-007-A8	1 1/4 - 2"	Seat Kit

40-100 DCV – DUCTILE IRON			
40583052	40-009-02	2-1/2-4"	1st Check Valve Repair Kit
40580903	40-009-03	2-1/2-4"	Seat Repair Kit
40583040	40-009-04	2-1/2-4"	Rubber Repair Kit
40583066	40-00C-02	6"	Check Valve Repair Kit
40583068	40-00E-02	8"	Check Valve Repair Kit
40583070	40-00G-02	10"	Check Valve Repair Kit
40580905	40-00C-03	6"	Seat Repair Kit
40580906	40-00E-03	8"	Seat Repair Kit
40580907	40-00G-03	10"	Seat Repair Kit
40583046	40-00C-04	6"	Rubber Repair Kit
40583048	40-00E-04	8"	Rubber Repair Kit
40583050	40-00G-04	10"	Rubber Repair Kit

40-200 RPZ – BRONZE			
40584002	40-003-A1	1/4 – 1/2"	Major Repair Kit
40583016	40-003-A2	1/4 – 1/2"	Check Repair Kit
40583011	40-003-A3	1/4 – 1/2"	Relief Repair Kit
40583002	40-003-A4	1/4 – 1/2"	Total Rubber Kit
40580157	40-003-A7	1/4 – 1/2"	Seat Kit
40580166	40-200-XA	1/4 – 1/2"	Air Gap
40584004	40-004-A1	3/4 – 1"	Major Repair Kit
40583028	40-004-A2	3/4 – 1"	Check Repair Kit
40583012	40-004-A3	3/4 – 1"	Relief Repair Kit
40583004	40-004-A4	3/4 – 1"	Total Rubber Kit
40580167	40-004-A7	3/4 – 1"	Seat Kit
40580167	40-200-X1	3/4 – 2"	Air Gap
40584006	40-007-A1	1-1/4 – 2"	Major Repair Kit
40583030	40-007-A2	1-1/4 – 2"	Check Repair Kit
40583014	40-007-A3	1-1/4 – 2"	Relief Repair Kit
40583006	40-007-A4	1-1/4 – 2"	Total Rubber Kit
40580159	40-007-A7	1-1/4 – 2"	Seat Kit

40-200 RPZ – DUCTILE IRON			
TMS Part #	Part #	Size	Description
40583062	40-009-01	2-1/2-3"	1st Check Valve Repair Kit
40583054	40-00A-01	4"	1st Check Valve Repair Kit
40583056	40-00C-01	6"	1st Check Valve Repair Kit
40583058	40-00E-01	8"	1st Check Valve Repair Kit
40583060	40-00G-01	10"	1st Check Valve Repair Kit
40583052	40-009-02	2-1/2"-3"	2nd Check Valve Repair Kit
40583064	40-00A-02	4"	2nd Check Valve Repair Kit
40583066	40-00C-02	6"	2nd Check Valve Repair Kit
40583068	40-00E-02	8"	2nd Check Valve Repair Kit
40583070	40-00G-02	10"	2nd Check Valve Repair Kit
40580903	40-009-03	2-1/2-3"	Seat Repair Kit
40580904	40-00A-03	4"	Seat Repair Kit
40580905	40-00C-03	6"	Seat Repair Kit
40580906	40-00E-03	8"	Seat Repair Kit
40580907	40-00G-03	10"	Seat Repair Kit
40583040	40-009-04	2-1/2-3"	Rubber Repair Kit
40583042	40-00A-04	4"	Rubber Repair Kit
40583046	40-00C-04	6"	Rubber Repair Kit
40583048	40-00E-04	8"	Rubber Repair Kit
40583050	40-00G-04	10"	Rubber Repair Kit
40583082	40-009-05	2-1/2-3"	Relief Valve Repair Kit
40583084	40-00A-05	4"	Relief Valve Repair Kit
40583086	40-00C-05	6"	Relief Valve Repair Kit
40583088	40-00E-05	8"	Relief Valve Repair Kit
40583090	40-00G-05	10"	Relief Valve Repair Kit
40583072	40-009-06	2-1/2-3"	Relief Valve Rubber Repair Kit
40583074	40-00A-06	4"	Relief Valve Rubber Repair Kit
40583076	40-00C-06	6"	Relief Valve Rubber Repair Kit
40583078	40-00E-06	8"	Relief Valve Rubber Repair Kit
40583080	40-00G-06	10"	Relief Valve Rubber Repair Kit



MODEL 765 KITS			
TMS Part #	Part #	Size	Description
40585020	905-020	1/2", 3/4"	Rubber Parts (765)
40585021	905-021	1", 1 1/4"	Rubber Parts (765)
40585022	905-022	1 1/2", 2"	Rubber Parts (765)
40585047	905-047	1/2", 3/4"	Bonnet Assembly (765)
40585211	905-211	1/2", 3/4"	Bonnet/Poppet Assembly (765)
40585048	905-048	1", 1 1/4"	Bonnet Assembly (765)
40585212	905-212	1", 1 1/4"	Bonnet/Poppet Assembly (765)
40581857	901-857	1 1/2", 2"	Bonnet Assembly (765)
40585049	905-049	1/2", 3/4"	Poppet Assembly (765)
40585050	905-050	1", 1 1/4"	Poppet Assembly (765)
40581860	901-860	1 1/2", 2"	Poppet Assembly (765)

805, 825 CHECK VALVE ASSEMBLIES			
TMS Part #	Part #	Size	Description
40581030	905-192	3/4"-1-1/4"	Check Valve Assembly
40581040	905-316	1-1/2"-2"	Check Valve Assembly

MODEL 805Y, 825Y, 825YA KITS			
TMS Part #	Part #	Size	Description
40581010	905-042	3/4" - 1 1/4"	Check Rubber (2)
40581064	905-053	1 1/2", 2"	Check Rubber (2)
40580043	905-043	3/4" - 1 1/4"	Relief Valve Rubber
40580054	905-054	1 1/2", 2"	Relief Valve Rubber
40585111	905-111	3/4" - 1 1/4"	Complete 825Y Rubber Kit
40585112	905-112	1 1/2", 2"	Complete 825Y Rubber Kit

MODEL 805YD, 825YD, 826YD CHECK RUBBER KITS			
TMS Part #	Part #	Size	Description
40581062	905-059	2 1/2"	Check Rubber (1)
40581064	905-060	3"	Check Rubber (1)
40581066	905-061	4"	Check Rubber (1)
40581068	905-062	6"	Check Rubber (1)
40581070	905-063	8"	Check Rubber (1)
40581072	905-064	10"	Check Rubber (1)

MODEL 825 RELIEF VALVE RUBBER KITS			
TMS Part #	Part #	Size	Description
40585066	905-066	2 1/2", 3"	825 Relief Valve Rubber
40585067	905-067	4" - 10"	825 Relief Valve Rubber

MODEL 825Y, 825YA AND 825, 826 TYPE YD KITS			
TMS Part #	Part #	Size	Description
40585162	905-102	2 1/2" - 10"	Relief Valve Rubber
40585249	905-113	3/4" - 1"	Relief Valve Seat Ring Kit
40585163	905-114	1 1/2", 2"	Relief Valve Seat Ring Kit
40585166	905-103	2 1/2" - 10"	Relief Valve Seat Ring Kit

MODEL 850, 856, 870(V), 876(V) CV RUBBER KITS			
TMS Part #	Part #	Size	Description
40585162	905-162	2 1/2", 3"	CV Rubber Kit 870(V)/876(V) (2)
40585249	905-249	2 1/2", 3"	CV Rubber Kit 850/856 (2)
40585163	905-163	4"	CVR Kit 850/856/870(V)/876(V) (2)
40585164	905-164	6"	CVR Kit 850/856/870(V)/876(V) (2)
40585165	905-165	8", 10"	CVR Kit 850/856 8"870(V)/876(V) (2)
40585166	905-166	10"	CV Rubber Kit 870(V)/876(V) (2)

MODEL 850/850U, 860/860U, 880/880U KITS			
TMS Part #	Part #	Size	Description
40585342	905-342	1/2", 3/4"	Check Rubber (2)
40585343	905-343	1"	Check Rubber (2)
40585344	905-344	1 1/4" - 2"	Check Rubber (2)
40585335	905-345	1/2" - 1"	Relief Valve Rubber (860/880)
40585336	905-346	1 1/4" - 2"	Relief Valve Rubber (860/880)
40585337	905-355	1/2", 3/4"	Complete Rubber Kit (860/880)
40585338	905-356	1"	Complete Rubber Kit (860/880)
40585339	905-357	1 1/4" - 2"	Complete Rubber Kit (860/880)



TOTAL MAINTENANCE SOLUTIONS

**Lead-Free Kits  
are now available!  
Please specify part  
number with "LF"  
suffix**

<b>860, 880(V) CHECK VALVE RUBBER KITS</b>			
<b>TMS Part #</b>	<b>Part #</b>	<b>Size</b>	<b>Description</b>
40585409	905-409	2 1/2", 3"	Check Rubber Kit 860 (2)
40585410	905-410	4"	Check Rubber Kit 860 (2)
40585411	905-411	6"	Check Rubber Kit 860 (2)
40585412	905-412	8" - 10"	Check Rubber Kit 860 [8" 880(V)](2)
40585413	905-413	2 1/2", 3"	Relief Valve Rubber 880(V) (2)
40585414	905-414	4"	Complete Rubber Kit (860/880) (2)
40585415	905-415	6"	Complete Rubber Kit (860/880) (2)
40585416	905-416	8", 10"	Complete Rubber Kit (860/880) (2)

<b>860, 880(V) CHECK AND RELIEF VALVE REPAIR KITS</b>			
<b>TMS Part #</b>	<b>Part #</b>	<b>Size</b>	<b>Description</b>
40582277	905-227	2 1/2", 3"	CV, RV Rubber Kit 880(V)
40585228	905-228	4"	CV, RV Rubber Kit 880(V)
40585229	905-229	6"	CV, RV Rubber Kit 880(V)
40585190	905-190	8"	CV, RV Rubber Kit 880(V)
40585191	905-191	10"	CV, RV Rubber Kit 880(V)
40585187	905-187	2 1/2", 3"	CV, RV Rubber Kit (860)
40585188	905-188	4"	CV, RV Rubber Kit (860)
40585189	905-189	6"	CV, RV Rubber Kit (860)
40585190	905-190	8", 10"	CV, RV Rubber Kit (860)

<b>860, 880(V) CHECK AND RELIEF VALVE REPAIR KITS</b>			
<b>TMS Part #</b>	<b>Part #</b>	<b>Size</b>	<b>Description</b>
40585192	905-192	2 1/2" - 10"	RV Repair Kit 860/880(V)
40585316	905-316	2 1/2" - 10"	Relief Valve Rubber Kit 860/880(V)



The Rainbird backflow assemblies were manufactured by the Watts Regulator Co. between 1983-1992. The Rainbird Company bought the rights to put their name on various models of Watts backflow assemblies and sell them as Rainbird backflow assemblies. For specific information see the corresponding Watts device.

CONVERSION CHART		
Rainbird Model	Size	Watts Model #
PVB	1/2", 3/4", 1", 1 1/4", 1 1/2", 2"	See Model 800
DC	3/4", 1", 1 1/2", 2", 2 1/2", 3", 4"	See Model 700
DCQT	3/4", 1", 1 1/2", 2"	See Model 007 or 007M1
DCA	3/4", 1", 1 1/2", 2", 2 1/2", 3", 4", 6", 8", 10"	See Model 709
RP	3/4", 1", 1 1/4", 1 1/2", 2", 2 1/2", 3", 4", 6"	See Model 900
RPQT	3/4", 1", 1 1/4", 1 1/2", 2"	See Model 009 or 009M1
RPA	3/4", 1", 1 1/4", 1 1/2", 2", 2 1/2", 3", 4", 6", 8", 10"	See Model 909 or 909M1





TOTAL MAINTENANCE SOLUTIONS

**Lead-Free Kits  
are now available!**  
Please specify part  
number with "LF"  
suffix

<b>MODEL 007</b>			
TMS Part #	Part #	Size	Description
40587045	887045	3/4" M2	Check #1
40588550	0888550	3/4" M3	Check #1
40587023	887023	3/4" - 1"	Check #1
40587025	887025	1 1/2" - 2"	Check #1
40587186	887186	1 1/2" - 2" M1	Check #1
40587719	887719	1 1/4" - 1 1/2" M2	Check #1
40587046	887046	3/4" M2	Check #2
40588551	0888551	3/4" M3	Check #2
40587024	887024	3/4" - 1"	Check #2
40587028	887028	1 1/2" - 2"	Check #2
40587187	887187	1 1/2" - 2" M1	Check #2
40587720	887720	1 1/4" - 1 1/2" M2	Check #2
40587194	887194	1/2"	Check Rubber
40587043	887043	3/4" M2	Check Rubber
40588552	888552	3/4" M3	Check Rubber
40587040	887040	3/4" - 1"	Check Rubber
40587042	887042	3/4" - 1" M1	Check Rubber
40587041	887041	1 1/2" - 2"	Check Rubber
40587188	887188	1 1/2" - 2" M1	Check Rubber
40587721	887721	1 1/4" - 1 1/2" M2	Check Rubber

<b>MODEL 709</b>			
TMS Part #	Part #	Size	Description
40587150	887150	3/4" - 1"	Check 1st or 2nd
40587151	888151	1 1/2" - 2"	Check 1st or 2nd
40587152	887152	3/4" - 1"	Check Rubber
40587153	887153	1 1/2" - 2"	Check Rubber

<b>MODEL 009 – CHECK KITS</b>			
TMS Part #	Part #	Size	Description
40587291	887291	1/4" - 1/2"	Check #1
40587009	887000	3/4" M2	Check #1
40588520	888520	3/4" M3	Check #1
40587005	887005	3/4" - 1"	Check #1
40587789	0887789	1" M2	Check #1
40587300	887300	1-1/4" -1-1/2" M2	Check #1
40587270	887270	1-1/4" - 2" M1	Check #1
40587006	887006	1-1/4" - 2"	Check #1
40587540	887540	2" M2	Check #1

<b>MODEL 009 – CHECK KITS</b>			
TMS Part #	Part #	Size	Description
40587292	887292	1/4" - 1/2"	Check #2
40587004	887001	3/4" M2	Check #2
40588521	888521	3/4" M3	Check #2
40587007	887007	3/4" - 1"	Check #2
40587790	0887790	1" M2	Check #2
40587301	887301	1-1/4" -1-1/2"	Check #2
40587271	88721	1-1/4" - 2" M1	Check #2
40587008	887008	1-1/4" - 2"	Check #2
40587541	887541	2" M2	Check #2

<b>MODEL 009 – RELIEF VALVE KITS</b>			
TMS Part #	Part #	Size	Description
40587294	0887294	1/4" - 1/2"	RK 009 VT
40587002	0887002	3/4"	RK 009M2 VT
40588524	0888524	3/4"	RK 009M3 VT
40587015	0887015	3/4" - 1"	RK 009 VT
40587785	0887785	1"	RK 009M2 VT

<b>MODEL 009 – RELIEF VALVE TOTAL KITS</b>			
TMS Part #	Part #	Size	Description
40587307	0887307	1-1/4"- 1-1/2"	RK 009M2 VT
40587277	0887277	1-1/4" - 2"	RK 009M1 VT
40587016	0887016	1-1/4" - 2"	RK 009M2 VT
40587545	0887545	2"	RK 009M2 VT

<b>MODEL 009 – RELIEF VALVE RUBBER PARTS KITS</b>			
TMS Part #	Part #	Size	Description
40587295	0887295	1/4" - 1/2"	RK 009 RV
40586998	0886998	3/4"	RK 009M2 RV
40588523	0888523	3/4"	RK 009M3 RV
40587181	0887181	3/4" - 1"	RK 009 RV
40587786	0887786	1"	RK 009M2 RV
40587306	0887306	1-1/4" - 1-1/2"	RK 009M2 RV
40587276	0887276	1-1/4" - 2"	RK 009M1 RV
40587184	0887184	1-1/4" - 2"	RK 009 RV
40587544	0887544	2"	RK 009M2 RV

*Lead-Free Kits  
are now available!  
Please specify part  
number with "LF"  
suffix*



MODEL 009 – FIRST CHECK RUBBER PARTS KITS			
TMS Part #	Part #	Size	Description
40587281	0887281	2-1/2" - 3"	RK 009 RC1

MODEL 009 – SECOND CHECK RUBBER PARTS KITS			
TMS Part #	Part #	Size	Description
40587205	0887205	2-1/2" - 3"	RK 009 RC2

MODEL 009 – RELIEF VALVE RUBBER PARTS KIT			
TMS Part #	Part #	Size	Description
40587206	0887206	2-1/2" - 3"	RK 009 RC1

MODEL 009 – TOTAL RUBBER PARTS KITS			
TMS Part #	Part #	Size	Description
40587297	887297	1/4" - 1/2"	RK 009 RT
40586999	886999	3/4" M2	RK 009M2 RT
40588526	888526	3/4" M3	RK 009M3 RT
40587182	887182	3/4" - 1"	RK 009 RT
40587787	887787	1" M2	RK 009M2 RT

MODEL 009 – COMPLETE RUBBER PARTS KITS			
TMS Part #	Part #	Size	Description
40587309	0887309	1-1/4" - 1-1/2"	RK 009M2 RT
40587280	0887280	1-1/4" - 2"	RK 009M1 RT
40587185	0887185	1-1/4" - 2'	RK 009 RT
40587547	0887547	2'	RK 009M2 RT

MODEL 900 – COMPLETE REPAIR KITS			
TMS Part #	Part #	Size	Description
40585028	881240	3/4", 1", 1-1/4"	45 BFP-RK
40585030	881263	1-1/2", 2"	47 BFP-RK

MODEL 900 – RUBBER PARTS KITS			
TMS Part #	Part #	Size	Description
40585024	881241	3/4", 1", 1-1/4"	46 BFP-RK
40585026	881264	1-1/2", 2"	48 BFP-RK
40585012	881295	2-1/2", 3"	42 BFP-RK
40581015	881297	4"	43 BFP-RK
40581016	881298	6"	44 BFP-RK

MODEL 900 – FIRST CHECK ASSEMBLY & RELIEF VALVE KITS			
TMS Part #	Part #	Size	Description
40584032	889100	2-1/2", 3"	36 BFP-RK
40585002	889110	4"	37 BFP-RK
40585004	889120	6"	38 BFP-RK

MODEL 900 – SECOND CHECK ASSEMBLY KITS			
TMS Part #	Part #	Size	Description
40585006	889105	2-1/2", 3"	39 BFP-RK
40585008	889115	4"	40 BFP-RK
40585010	889125	6"	41 BFP-RK

MODEL 900 – RUBBER PARTS KITS			
TMS Part #	Part #	Size	Description
40585012	881295	2-1/2", 3"	42 BFP-RK
40581015	881297	4"	43 BFP-RK
40581016	881298	6"	44 BFP-RK



**Lead-Free Kits  
are now available!**  
Please specify part  
number with "LF"  
suffix

MODEL 909 – FIRST CHECK KITS			
TMS Part #	Part #	Size	Description
40587120	0887120	3/4" - 1"	RK 909 CK1
40587133	0887133	1 1/4" - 2" M1	RK 909M1 CK1
40587210	0887210	2-1/2" - 3"	RK 909 CK1
40587212	0887212	4"	RK 909 CK1
40587213	0887213	6"	RK 909 CK1
40587214	0887214	8"	RK 909 CK1
40587215	0887215	10"	RK 909 CK1

MODEL 909 – RELIEF VALVE RUBBER KITS			
TMS Part #	Part #	Size	Description
40587131	887131	3/4" - 1"	RK 909 RV
40587141	887141	1 1/4" - 2" M1	RK 909M1 RV
40587231	887231	2-1/2" - 3"	RK 909 RV
40587232	887232	4" - 6"	RK 909 RV
40587233	887233	8" - 10"	RK 909 RV
40587234	887234	4" - 10"	RK 909M1 RV

MODEL 909 – SECOND CHECK KITS			
TMS Part #	Part #	Size	Description
40587121	0887121	3/4" - 1"	RK 909 CK2
40587134	0887134	1 1/4" - 2" M1	RK 909M1 CK2
40587211	0887211	2-1/2" - 3"	RK 909 CK2
40587216	0887216	4"	RK 909 CK2
40587217	0887217	6"	RK 909 CK2
40587218	0887218	8"	RK 909 CK2
40587219	0887219	10"	RK 909 CK2

MODEL 909 – RELIEF VALVE TOTAL KITS			
TMS Part #	Part #	Size	Description
40587235	887235	2-1/2" - 3"	RK 909 VT
40587236	887236	4" - 6"	RK 909 VT
40587237	887237	8" - 10"	RK 909 VT
40587238	887238	4" - 10"	RK 909M1 VT

MODEL 909 – FIRST CHECK RUBBER PARTS KITS			
TMS Part #	Part #	Size	Description
40587220	0887220	2-1/2" - 3"	RK 909 RC1
40587221	0887221	4"	RK 909 RC1
40587223	0887223	6"	RK 909 RC1
40587224	0887224	8"	RK 909 RC1
40587225	0887225	10"	RK 909 RC1

MODEL 909 – COMPLETE RUBBER KITS			
TMS Part #	Part #	Size	Description
40587130	887130	3/4" - 1"	RK 909 RT
40587144	887144	1 1/4" - 2" M1	RK 909M1 RT

MODEL 909 – SECOND CHECK RUBBER PARTS KITS			
TMS Part #	Part #	Size	Description
40587226	0887211	2-1/2" - 3"	RK 909 RC2
40587227	0887216	4"	RK 909 RC2
40587228	0887217	6"	RK 909 RC2
40587229	0887218	8"	RK 909 RC2
40587230	0887219	10"	RK 909 RC2

MODEL 909 – TOTAL RUBBER PARTS KITS			
TMS Part #	Part #	Size	Description
40587750	0887750	2-1/2" - 3"	RK 909 RT
40587751	0887751	4"	RK 909 RT
40587752	0887752	6"	RK 909 RT
40587753	0887753	8"	RK 909 RT
40587761	0887761	8" M1	RK 909M1 RT
40587754	0887754	10"	RK 909 RT
40587762	0887762	10" M1	RK 909 M1 RT

MODEL 909 – RELIEF VALVE KITS			
TMS Part #	Part #	Size	Description
40587126	887126	3/4" - 1"	RK 909 VT
40587138	887138	1 1/4" - 2" M1	RK 909M1 VT

*Lead-Free Kits  
are now available!  
Please specify part  
number with "LF"  
suffix*



MODEL 919 – 1ST CHECK ASSEMBLY KITS			
TMS Part #	Part #	Size	Description
40588110	0888110	1/4" – 1/2"	RK 919 CK1
40588111	0888111	3/4"	RK 919 CK1
40588112	0888112	1"	RK 919 CK1
40588113	0888113	1-1/4" – 1-1/2"	RK 919 CK1
40588114	0888114	2"	RK 919 CK1

MODEL 919 – CHECK COVER KITS			
TMS Part #	Part #	Size	Description
40588145	0888145	1/4" – 1/2"	RK 919 C
40588146	0888146	3/4"	RK 919 C
40588147	0888147	1"	RK 919 C
40588148	0888148	1-1/4" – 1-1/2"	RK 919 C
40588149	0888149	2"	RK 919 C

MODEL 919 – 2ND CHECK ASSEMBLY KITS			
Part #	Part #	Size	Kit #
40588115	0888115	1/4" – 1/2"	RK 919 CK2
40588116	0888116	3/4"	RK 919 CK2
40588117	0888117	1"	RK 919 CK2
40588118	0888118	1-1/4" – 1-1/2"	RK 919 CK2
40588119	0888119	2"	RK 919 CK2

MODEL 919 – RELIEF VALVE SEAT KITS			
TMS Part #	Part #	Size	Description
40588150	0888150	1/4" – 1/2"	RK 919 SV
40588151	0888151	3/4" – 1"	RK 919 SV
40588153	0888153	1-1/4" – 2"	RK 919 SV

MODEL 919 – 1ST OR 2ND CHECK RUBBER PARTS KITS			
TMS Part #	Part #	Size	Description
40588133	0888120	1/4" – 1/2"	RK 919 RC4
40588121	0888121	3/4"	RK 919 RC4
40588122	0888122	1"	RK 919 RC4
40588157	0888123	1-1/4" – 1-1/2"	RK 919 RC4
40588124	0888124	2"	RK 919 RC4

MODEL 919 – RELIEF VALVE RUBBER PARTS KITS			
TMS Part #	Part #	Size	Description
40588135	0888135	1/4" – 1/2"	RK 919 RV
40588136	0888136	3/4" – 1"	RK 919 RV
40588137	0888137	1-1/4" – 2"	RK 919 RV

MODEL 919 – CHECK SEAT KITS			
TMS Part #	Part #	Size	Description
40588125	0888125	1/4" – 1/2"	RK 919 S
40588126	0888126	3/4"	RK 919 S
40588127	0888127	1"	RK 919 S
40588128	0888128	1-1/4" – 1-1/2"	RK 919 S
40588129	0888129	2"	RK 919 S

MODEL 919 – RELIEF VALVE COVER KITS			
TMS Part #	Part #	Size	Description
40588155	0888155	1/4" – 1/2"	RK 919 VC
40588156	0888156	3/4" – 1"	RK 919 VC
40588158	0888158	1-1/4" – 2"	RK 919 VC

MODEL 919 – COMPLETE VALVE RUBBER PARTS KITS			
TMS Part #	Part #	Size	Description
40588140	0888140	1/4" – 1/2"	RK 919 RT
40588141	0888141	3/4"	RK 919 RT
40588142	0888142	1"	RK 919 RT
40588143	0888143	1-1/4" – 1-1/2"	RK 919 RT
40588144	0888144	2"	RK 919 RT

MODEL 919 – TOTAL RELIEF VALVE KITS			
TMS Part #	Part #	Size	Description
40588130	0888130	1/4" – 1/2"	RK 919 VT
40588131	0888131	3/4" – 1"	RK 919 VT
40588132	0888132	1-1/4" – 2"	RK 919 VT



TOTAL MAINTENANCE SOLUTIONS

*Lead-Free Kits  
are now available!  
Please specify part  
number with "LF"  
suffix*

TOTAL MAINTENANCE SOLUTIONS

**WATTS**  
QUICK LISTS

**MODEL 995 – FIRST CHECK KITS**

TMS Part #	Part #	Size	Description
40588580	888580	1/2" - 3/4"	RK 995 CK1
40588581	888581	1"	RK 995 CK1
40588050	888050	1-1/4" - 1-1/2"	RK 995 CK1

**MODEL 995 – SECOND CHECK KITS**

TMS Part #	Part #	Size	Description
40588582	888582	1/2" - 3/4"	RK 995 CK2
40588583	888583	1"	RK 995 CK2
40588052	888052	1-1/4" - 1-1/2"	RK 995 CK2

**MODEL 995 – TOTAL RUBBER PARTS KITS**

TMS Part #	Part #	Size	Description
40588592	888592	1/2" - 3/4"	RK 995 RT
40588593	888593	1"	RK 995 RT
40588062	888062	1-1/4" - 1-1/2"	RK 995 RT

**MODEL 995 – RELIEF VALVE KITS**

TMS Part #	Part #	Size	Description
40588589	888589	1/2" - 1"	RK 995 VT
40588060	888060	1-1/4" - 1-1/2"	RK 995 VT

**MODEL 995 – RELIEF VALVE RUBBER PARTS KITS**

TMS Part #	Part #	Size	Description
40588588	888588	1/2" - 1"	RK 995 RV
40588058	888058	1-1/4" - 1-1/2"	RK 995 RV



MODELS 550 – DOUBLE CHECK			
TMS Part #	Part #	Size	Description
40581007	RK34-550R	3/4" - 1"	Rubber Parts
40581009	RK114-550R	1-1/4" - 2"	Rubber Parts
40580976	RK212-550R	2-1/2" - 3"	Rubber Parts
40580977	RK4-550R	4"	Rubber Parts
40580978	RK6-550R	6"	Rubber Parts

MODELS 975			
TMS Part #	Part #	Size	Description
40580992	RK212-950	2 1/2" - 3"	Repair Kit
40580993	RK4-950	4"	Repair Kit
40580994	RK6-950	6"	Rubber Parts
40580995	RK8-950	8"	Rubber Parts
40580996	RK10-950	10"	Rubber Parts

MODELS 575 – REDUCED PRESSURE			
TMS Part #	Part #	Size	Description
40581017	RK34-575R	3/4" - 1"	Complete Repair Kit
40581021	RK114-575R	1-1/4" - 2"	Complete Repair Kit
40580979	RK212-575R	2-1/2" - 6"	Relief Valve Kit

MODELS 975XL			
TMS Part #	Part #	Size	Description
40581497	RK14-975XL	1/4" - 1/2"	Complete Kit
40585976	RK14-975XLR	1/4" - 1/2"	Rubber Parts
40585979	RK34-975XLR	3/4" - 1"	Rubber Parts
40585977	RK34-975XL	3/4" - 1"	Complete Kit
40585980	RK114-975XLR	1-1/4" - 2"	Rubber Parts
40585978	RK114-975XL	1-1/4" - 2"	Complete Kit

MODEL 950XL			
TMS Part #	Part #	Size	Description
40583496	RK34-950XLR	3/4" - 1"	Rubber Parts
40583495	RK34-950XL	3/4" - 1"	Spring & Rubber Parts
40583498	RK114-950XLR	1-1/4" - 2"	Rubber Parts
40583499	RK114-950XL	1-1/4" - 2"	Spring & Rubber Parts

MODELS 950			
TMS Part #	Part #	Size	Description
40580982	RK34-950R	3/4" - 1"	Rubber Parts
40580980	RK34-950	3/4" - 1"	Spring & Rubber Parts
40580983	RK114-950R	1-1/4" - 2"	Rubber Parts
40580981	RK114-950	1-1/4" - 2"	Spring & Rubber Parts
40580992	RK212-950	2-1/2" - 3"	Rubber Parts
40580993	RK4-950	4"	Rubber Parts
40580994	RK6-950	6"	Rubber Parts
40580995	RK8-950	8"	Rubber Parts
40580996	RK10-950	10"	Rubber Parts





TOTAL MAINTENANCE SOLUTIONS

# TOTAL MAINTENANCE SOLUTIONS INDEX

## A

### Accessories

Economy Meter Box	88
Enclosure Technology & Supply	87
Flip Top Enclosures	86
Food Grade Lubricant	89
GlassPad Fiberglass Heating Pad	86
Jumbo Rectangle Meter Box	88
One Piece Drop Over Enclosure	86
Petrol-Gel	89
PolyRok	86
Safe-T-Cover	87
STW Pre-Terminated Heater Cable	86
Super Jumbo Rectangle Meter Box	88

### Ames

2001SS 3"-8"	9
3001SS 3"-8"	9
C-400, C-500 Relief Valve Hoses	7
M-400, M-500 Relief Valve Hoses	7
Model 2000DC 4"-10"	12
Model 2000DCA 4"-10"	11
Model 3000DCDA 4"-10"	11
Model 3000DCDC 4"-10"	12
Model 5000 RPDA Epoxy 4"-10"	15
Quick List, Models 2000SS through 4000B	100
Quick List, Models C-200 through 2000B	99
Series 200 2-1/2"-10"	1
Series 300 2-1/2"-10"	1
Series 2000SE 6"-8"	8
Series 2000SS 2-1/2"-12"	8
Series 3000SE 6"-8"	8
Series 3000SS 2-1/2"-12"	8
Series 4000 Relief Valve RPZ Epoxy 4"-10"	14
Series 4000RP Epoxy RPZ 4"-10"	13
Series 4000SS 2-1/2"-6"	10
Series 4000SS & 5000SS Relief Valve 2-1/2"-10"	10
Series 5000SS 2-1/2"-6"	10
Series A200 Pressure Vacuum Breaker 3/4"-2"	90
Series C-200(A) 2-1/2"-6"	3
Series C-300(A) 2-1/2"-6"	3
Series C-400 2-1/2"-10"	5
Series C-500 2-1/2"-10"	5
Series M-200 2-1/2"-10"	2
Series M-200(A) 2-1/2"-4"	4
Series M-300 2-1/2"-10"	2
Series M-300(A) 2-1/2"-4"	4
Series M-400 2-1/2"-10"	6
Series M-500 2-1/2"-10"	6

### Apollo Conbraco

Quick List, Models 40-100 & 40-200	101
Series 4V-500 Pressure Vacuum Breaker 1/2"-2"	91
Test Kit Model 40-200-TKU	84
40-100 DCV 2-1/2"-4"	19
6"-10"	20
40-100 Double Check Valve 3/4"-2"	17
40-200 Reduced Pressure Principle 1/4"-2"	18
40-200 RPZ 2-1/2"-4"	19
6"-10"	20
40-500 Pressure Type Vacuum Breaker 1/2"-2"	21
Reduced Pressure Zone Relief Valve 2-1/2"-10"	22

## C

### Cla-Val

CDHS-20 & CDHS-24 2"-10"	25
3/4", 1-1/4" & 1-1/2"	24
Model 3081, 3081EX & 3084 2"-10"	23
RP-2 & D-2 3/4", 1", 1-1/4" & 1-1/2"	24

### Conbraco (see Apollo/Conbraco)

## F

### Febco

Model 765 Pressure Vacuum Breaker 1/2"-2"	92
Model 850 Double Check Assemblies Complete	79
Models 860 and 825 Reduced Pressure Assemblies Complete	79
Models 805Y and 825Y 3/4"-2"	26
Models 805YD, 806YD, 825D and 825YD 2-1/2"-10"	27
Models 850/856, 870/870(V), 876/876v 2-1/2"-10"	29
Models 850/860 1/2"-2"	28
Models 860/880(V) 2-1/2"-10"	30, 31, 32
Quick List, Models 765 through Models 880/880U	102
Quick List, Models 860, 880V	103

### Flomatic

Double Check Assembly Complete	80
Reduce Pressure Zone Complete	80
RPZ 3/4"-2"	33
RPZII 1/2", 3/4" & 1-1/2"	33
RPZ Reduced Pressure Zone 2-1/2"-8"	34

## H

### Hersey

6CM Relief Valve Assembly 2-1/2"-10"	40
FRP II 1-1/4"-2"	38
FRP I & II 3/4"-1"	37
Hersey II Check Valve 2-1/2"-10"	39
Main Valve 2-1/2"-10"	39

## M

### Mid-West Instruments

#### Test Kits

Bleed Off Assembly	85
Model 830	84
Model 845-3 3 Valve	83
Model 845-5 5 Valve	84
Replacement Hoses	85
Vertical Tube with Extension	85

## R

Rainbird Quick List Conversion Chart	104
--------------------------------------	-----

## T

### TMS

Backflow Swivel Test Fitting Kit	84
Backflow Test Fitting Kit	84
Test Kit Bleed Off Assembly	85
Replacement Hoses	85
Vertical Tube	85

# TOTAL MAINTENANCE SOLUTIONS INDEX



## W Watts

Accessories	
Handles	60
Test Cocks	60
Model 007 QT Double Check Complete	81
Model 009 QT Reduced Pressure Complete	81
Quick List, Model 009 and Model 900	106
Quick List, Model 909	107
Quick List, Model 919	108
Quick List, Model 995	109
Quick List, Models 007, 709 and 009	105
Series 7	58
Series 007 Double Check Valve 1/2"-2"	41
Series 9BD Vending Machine Supply Line	58
Series 9D Continuous Pressure	58
Series 009 Reduced Pressure Zone 1/4"-2"	42, 43
2-1/2"-3"	44
Series 188A, 288A, 289, 388ASC, N388	59
Series 709 Double Check Valve 2-1/2"-10"	45
3/4"-2"	45
Series 757 and 757a Double Check Valve 2-1/2"-10"	46
Series 757DCDA and 757ADCDA Double Check Detector	
2-1/2"-10"	46
Series 774 and 774X Double Check Valve 2-1/2"-12"	47
Series 774DCDA and 774XDCDA Double Check Detector	
2-1/2"-12"	47
Series 775DCDA Double Check Detector 3"-8"	49
Series 775 Double Check Valve 1/2"-2"	48
3"-8"	49
Series 800M2 Pressure Vacuum Breaker 1/2"-2"	94
Series 800M3 Pressure Vacuum Breaker 1/2"-3/4"	95
Series 800M4 Pressure Vacuum Breaker 1/2"-2"	96
Series 800M/CM Pressure Vacuum Breaker Compact Model	
1/2", 3/4"	94
Series 800 Pressure Vacuum Breaker 1/2"-2"	93
Series 900 Reduced Pressure Zone 2-1/2"-6"	50
3/4"-2"	50
Series 909 Reduced Pressure Zone 2-1/2"-10"	52, 53
3/4"-2"	51, 52
Series 919 Reduced Pressure Zone 1/4"-2"	54
Series 957 Reduced Pressure Zone 2-1/2"-10"	55
Series 994 Reduced Pressure Detector 2-1/2"-10"	56
Series 994 Reduced Pressure Zone 2-1/2"-10"	56
Series N9, NLF9	58
Test Kits	
Model TK-9A	83
Model TK-99D	83
Model TK-99E	83
Watts/Ames Cross Reference	16

## Wilkins

Accessories	
Air Gaps	75
Ball Type Test Cock	71
Ball Valve Handles	75
Seat Tool Kit	71
Model 35 Atmospheric Vacuum Breaker 1/4"-2"	97
Model 350 4"-12"	63
Model 350A 2-1/2"-10"	63
Model 350 Double Check 1-1/4" & 2"	62
3/4" & 1"	61

## Wilkins (cont.)

Model 350A Double Check 4"-10"	74
Model 350 Double Check 4"-8"	74
Model 450 Double Check 2-1/2"-10"	74
Models 375, 375A, 475 & 475V, 375XL, 375AXL, 475XL and 475XLV	
Relief Valve 2-1/2"-10"	67
Models 375, 475 & 475V Relief Valve 2-1/2"-6"	75
Model 375A Reduced Pressure Principle 2-1/2"-10"	66
Model 375 Reduced Pressure Principle 1-1/4"-2"	65
3/4"-1"	64
4"-10"	66
Model 420 Pressure Vacuum Breaker 1/2"-1"	97
Model 550 and 575 2-1/2"-6"	78
Model 550 Double Check 3/4"-2"	76
Model 575 1-1/4"-2"	77
3/4"-1"	77
Model 700 Dual Check 1/4"-1"	68
Model 720A Pressure Vacuum Breakers 1-1/4"-2"	98
1/2"-1"	98
Models 750 and 750A with Atmospheric Vent	68
Models 950DC & 975RP 3/4"-2"	69
Model 950 (Obsolete) & 975 (Obsolete) 2-1/2"-10"	70
Model 950XL Double Check 3/4"-2"	71
Model 950XLT Double Check Assembly Complete	82
Model 975 Relief Valve 2-1/2"-10"	70
Model 975XL Reduced Pressure Principle 1/4"-1/2"	72
3/4"-2"	73
Model 975XLT Reduced Pressure Complete	82
Quick List, Model 550 and 575	110
Quick List, Model 950 and 950XL	110
Quick List, Model 975 and 975XL	110



TOTAL MAINTENANCE SOLUTIONS

## IT'S EASY TO ORDER

Choose the way that's best for you. Phone, FAX, mail, EDI, or place it with your local sales representative. If you don't already have an account, call us for a credit application. Each TMS distributor can be contacted directly by emailing its address found at [www.tms4parts.com/contacts.php](http://www.tms4parts.com/contacts.php).

Our nationwide TOLL FREE NUMBER: 877-867-8675

Our nationwide TOLL FREE FAX NUMBER: 877-867-8674

## OUR TERMS

1% discount 10 days from date of invoice. Net 30 days. Invoices not paid according to terms are subject to a monthly service charge of 1-1/2% per month. (Annual rate 18%)

## MINIMUM ORDER

Our minimum order is \$25.00. Orders under \$25.00 are subject to a \$5.00 handling charge.

## QUOTATIONS

Write, FAX, phone or email us for a quotation on any item, even those not currently in our catalog. Quotations are good for 45 days. Pricing is in effect at the time of shipment.

## RETURNS

Your satisfaction is our desire. You may return merchandise by your sales representative. If this is not convenient, we ask that you call for shipping instructions before returning merchandise to us. No returns without an RGA. Non-stock & special order returns are subject to handling and restocking charges.

## CLAIMS, DEFECTS AND DAMAGES

We ask that you notify us of shortages or damaged/defective merchandise within 10 days of delivery.

## FREIGHT POLICY

Freight is FOB destination on orders over \$200.00. Under \$200.00 freight is pre-paid and added to the invoice. Exceptions include bulk items such as china, drinking fountains and sewer machines. Other items may be included.

## SAME DAY SHIPPING

Same day shipping is available on all stock orders placed by 3 pm EST. Next day and quick shipping are available at customer's cost.

## SALES TAX

TMS is required to charge applicable state and local tax on every item for which a sales tax exemption certification has not been provided. When ordering, please indicate which items are tax exempt.

## SPECIAL SERVICES

If you have a special shipping or billing request, please let us know. We will do our best to accommodate your particular needs.

## WHAT IS TMS?

TMS is a group of strategically located MRO distributors in the United States who have combined their resources to bring unparalleled product knowledge and unbeatable service to our customers. Our depth of regional experience, inside and out, allows us to give our customers exactly what they need quickly and easily. You will speak directly to an experienced service representative, not an order taker. We take the time to understand your unique regional problems and help to find efficient, superior Total Maintenance Solutions (TMS) for your projects. If you're looking for the expertise of an industry leading national supplier you can trust to provide you with the right materials at the right time, look no further than TMS.



TOTAL MAINTENANCE SOLUTIONS

# TERMS AND CONDITIONS

## LIMITED WARRANTY

Neither we nor the manufacturer shall be liable for any injury, loss or damage, direct or consequential, arising out of the use or inability to use an item sold by us, but our only obligation in lieu of all warranties expressed or implied, is to replace any item proven to be defective. Before using, the user must determine the suitability of the product for its intended use, and the user assumes all risk in connection therewith.

## WARRANTY DISCLAIMER

TMS has made a diligent effort to illustrate and describe the products accurately; however, such illustrations and descriptions are for the sole purpose of identification, and do not express or imply a warranty that the products are merchantable, or fit for a particular purpose, or that the products will conform to the illustrations or depictions. No warranty or affirmation of fact, express or implied, other than that as set forth in the limited warranty statement above is made or authorized by TMS.

## EDI (ELECTRONIC DATA INTERCHANGE)

If you would like to do business electronically, please let us know. We can receive purchase orders, and send acknowledgements and invoices electronically. We can also provide bar coded movement documents. Please call us to get us test transmissions.

## MATERIAL SAFETY DATA SHEETS (MSDS)

Safety data sheets for all chemicals and related products sold by TMS are available upon request.

## SATISFACTION GUARANTEED

We're not happy until you're happy! If you're not, contact us immediately.



*Any reproduction in whole or part, or any unauthorized use without the express permission of TMS is prohibited and will constitute a violation of the copyright laws of the United States.*  
© TMS (Total Maintenance Solutions), July 2011

Toll Free Telephone: 877/867-8675 • Toll Free Fax: 877/867-8674  
[www.tms4parts.com](http://www.tms4parts.com)

